



# User Manual for Self-Watering Rolling Citrus Tree Planter - 30 Gallon

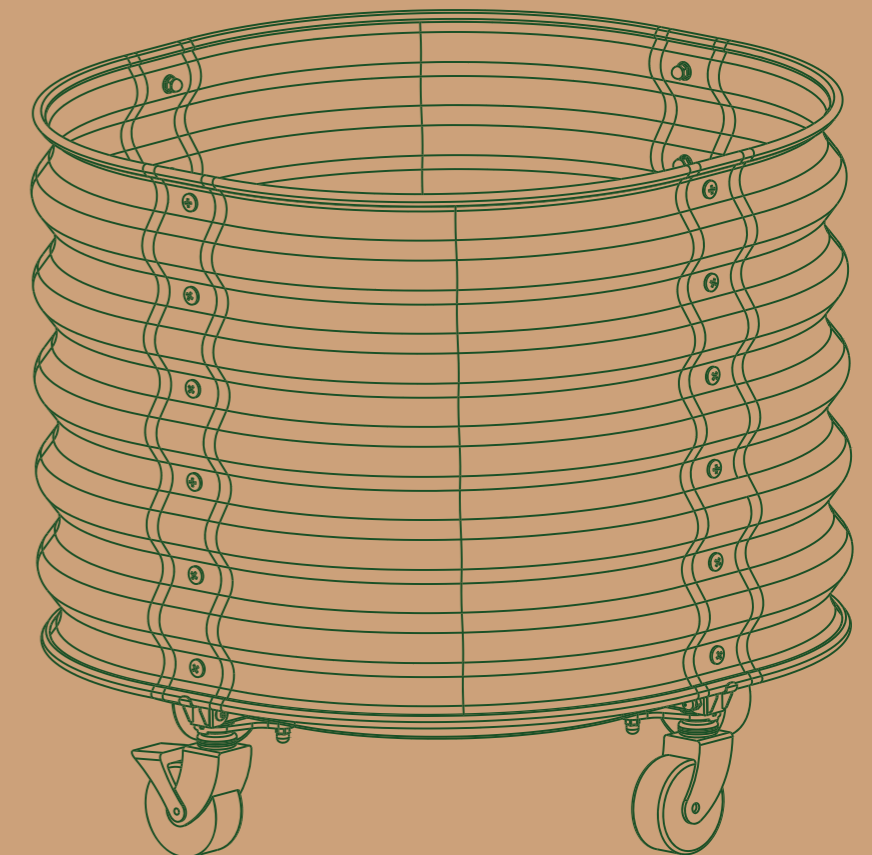
Gardening Made Easier. Anytime, Anywhere.

Copyright © 2026 Vego




**Gardening  
Made Easier.  
Anytime,  
Anywhere.**

---




## Contact Us

 +1 (866) 597-1888

 Vego Garden Academy

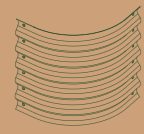
 hello@vegogarden.com

 vegogarden.com

 vego\_garden

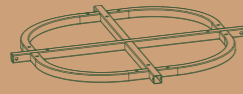
 Houston, TX

# Parts List



**C10**  
Corner Pan

Qty: 4



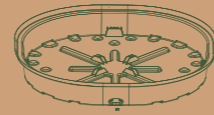
**F1**  
Frame

Qty: 1



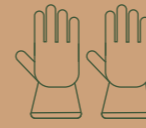
**FA**  
Frame Adaptor

Qty: 4



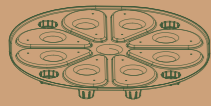
**WCB**  
Wicking Cell Bottom

Qty: 1



**Gloves**

Qty: 1



**WCT**  
Wicking Cell Top

Qty: 1



**C1**  
Casters

Qty: 2



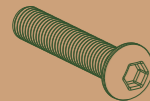
**LC**  
Locking Casters

Qty: 2



**B1 Bolt**  
M6X10

Qty: 24



**B2 Bolt**  
M6X30

Qty: 16



**FCN Flange**  
Cap Nut

Qty: 8



**CN**  
Cap Nut M6

Qty: 16



**FSN Flange**  
Standard Nut

Qty: 16



**MW**  
Metal Washers

Qty: 12



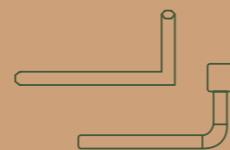
**SE**  
Safety Edging

Qty: 1



**G1**  
Water Gauge Tube

Qty: 1



**HK Hex key &**  
**LW L Wrench**

Qty: 1

## Safety Precautions

This product may contain sharp metal corners and edges. To prevent injury:

- Handle with care at all times
- Wear gloves, closed-toe shoes & long pants when handling
- Work on a stable, clean surface away from children and pets
- Follow all instructions carefully and use tools only as directed

If you are unsure about any step, pause and seek assistance.



## ⚠️ Check the Self-Watering System Before Adding Soil

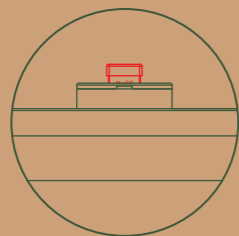
This quick check ensures the self-watering system is properly installed before soil is added.

### Before You Begin

- Visually inspect the Reservoir, and Water Gauge to make sure there are no cracks, damage, or missing parts.
- If any part appears damaged, please contact us for assistance or replacement parts.

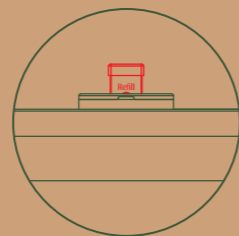
### Check the Water Gauge

- Make sure the Water Gauge is fully inserted into the reservoir opening.
- When installed correctly, the indicator should appear in the position shown in the diagram. Refer to the diagram for Correct / Incorrect installation examples.
- If the gauge is not fully inserted, push down and twist it firmly until it reaches the bottom.



#### Incorrect Installation

The "Refill" marking is not fully visible.

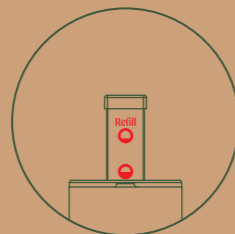


#### Correct Installation

The "Refill" marking is fully visible.

### Fill the Reservoir

- Pour water into the Wicking Cell Bottom until the **second circle on the water gauge becomes visible**.



### Wait and Check

- Wait about 5 minutes and check the water level again.
- If the water level remains **close to the original level** and no water is leaking from the bottom of the planter, the system is working as intended.
- You may proceed with adding soil and planting.

### ⚠️ Need Help?

If you notice anything unusual during this check, please contact our customer support team for assistance or replacement parts.

## 🌿 Using your Self Watering Tree Planter

This guide will help you with set up and how to use your tree planter for easy, healthy plant growth with minimal effort.

### Soil and Planting Setup

#### 1. Choose the Right Soil

Use a soil mix specifically designed for potting, container, or wicking beds.

- Ensure the mix contains 30-50% coir.
- Avoid peat-based mixes, which can retain too much water.

#### 2. Fill the Planter with Soil

Start filling soil after the reservoir has been filled with water.

- Make sure the cones in the wicking cell top are completely filled with soil.
- Ensure the bottom layer of soil is moist, which helps establish the capillary action needed for the self-watering system.

### During Planting

#### 1. Water During Early Growth

In the early stages, water from the top encourages roots to grow downward toward the reservoir.

#### 2. Maintain the Proper Water Level

The ideal water level is about 50% of the reservoir's capacity.

#### 3. Avoid Overfilling

Never exceed the maximum water mark, as overfilling may cause waterlogging and damage plant roots.

### After Planting Care

#### 1. Monitor Water Levels

Regularly check the water level in the reservoir, especially during the first few weeks while learning your plant's watering needs.

#### 2. Adjust for Seasonal Changes

Water needs vary by season.

- Hot, dry weather: plants require more water. Check and refill more frequently.
- Cooler, wetter weather: reduce watering frequency.

#### 3. Monitor Plant-Specific Needs

Different plants have different water requirements. Some may require more frequent watering, while others need less.

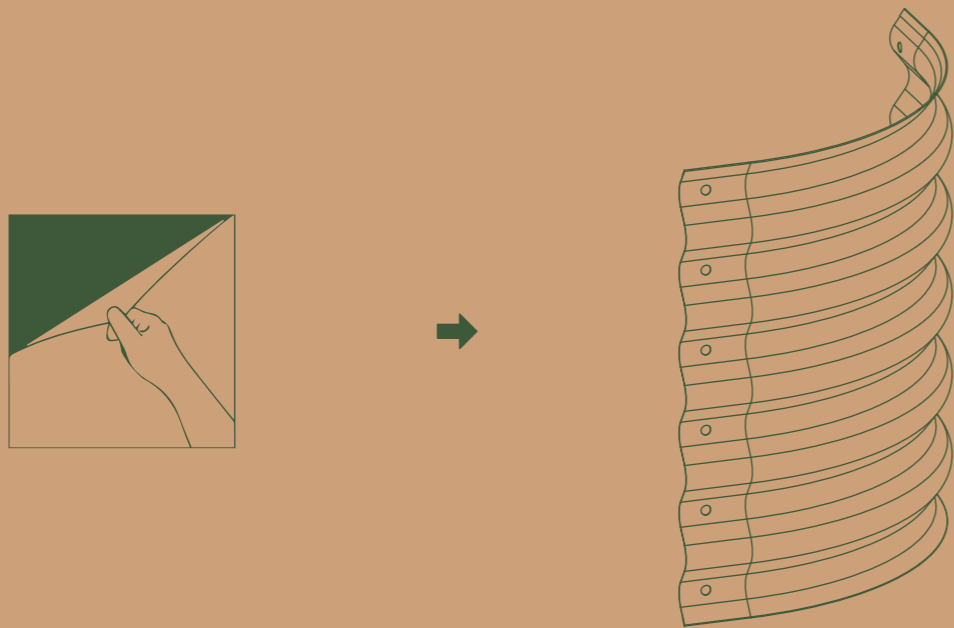
#### 4. Check Soil Moisture

The soil surface may appear dry while deeper layers remain moist.

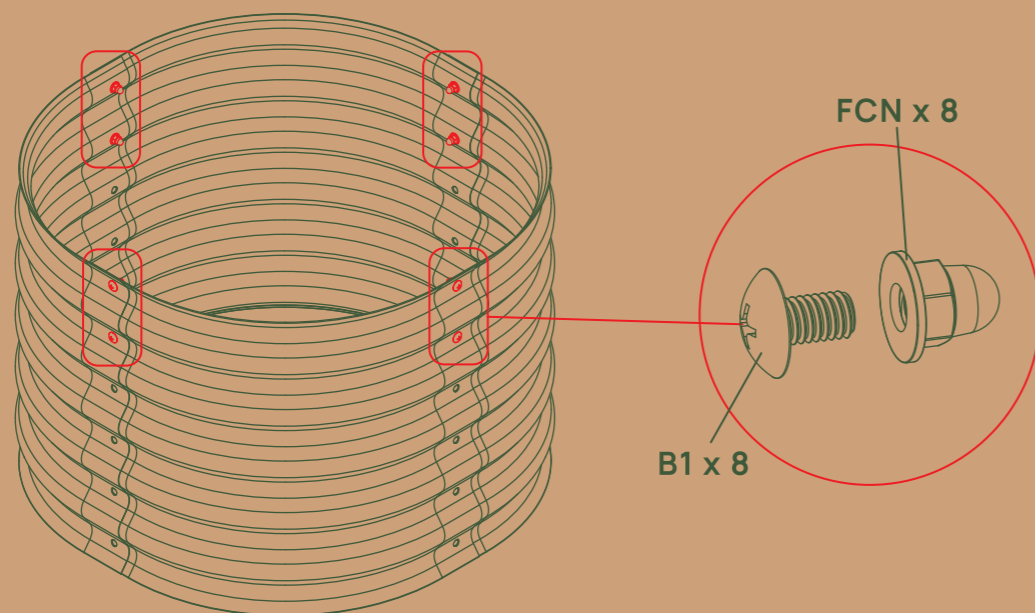
Check soil moisture about 2 inches below the surface, and adjust watering based on the reservoir level.

# Assembly Guide

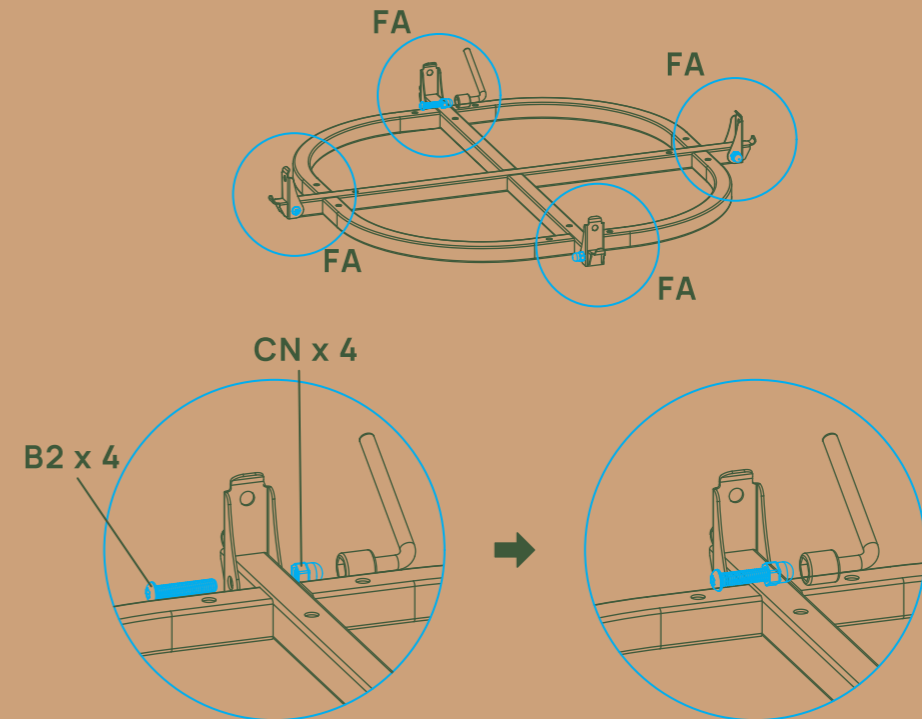
1 Remove the protective film from both sides of all four (C10) curved panels.



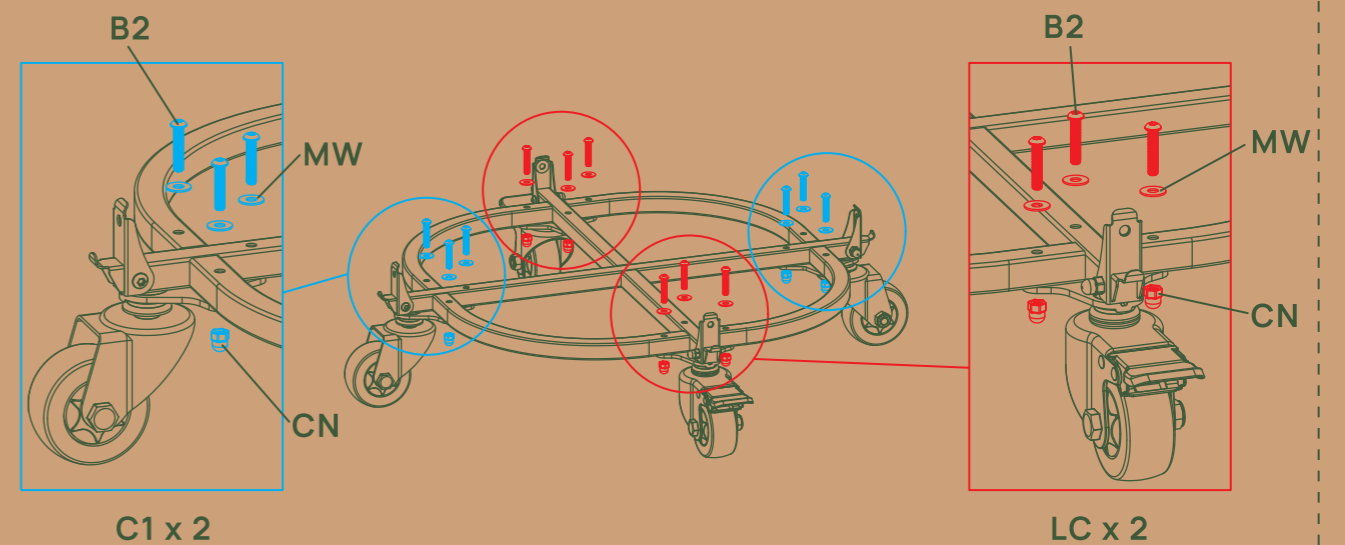
2 Connect the panels by installing bolts (B1) and flanged cap nuts (FCN) in the top two rows of holes. Leave the remaining holes empty at this stage.



3 Using the provided tools, along with bolts (B2) and cap nuts (CN), secure four frame adapters (FA) to each end of the frame as shown below. Tighten using the provided tools.

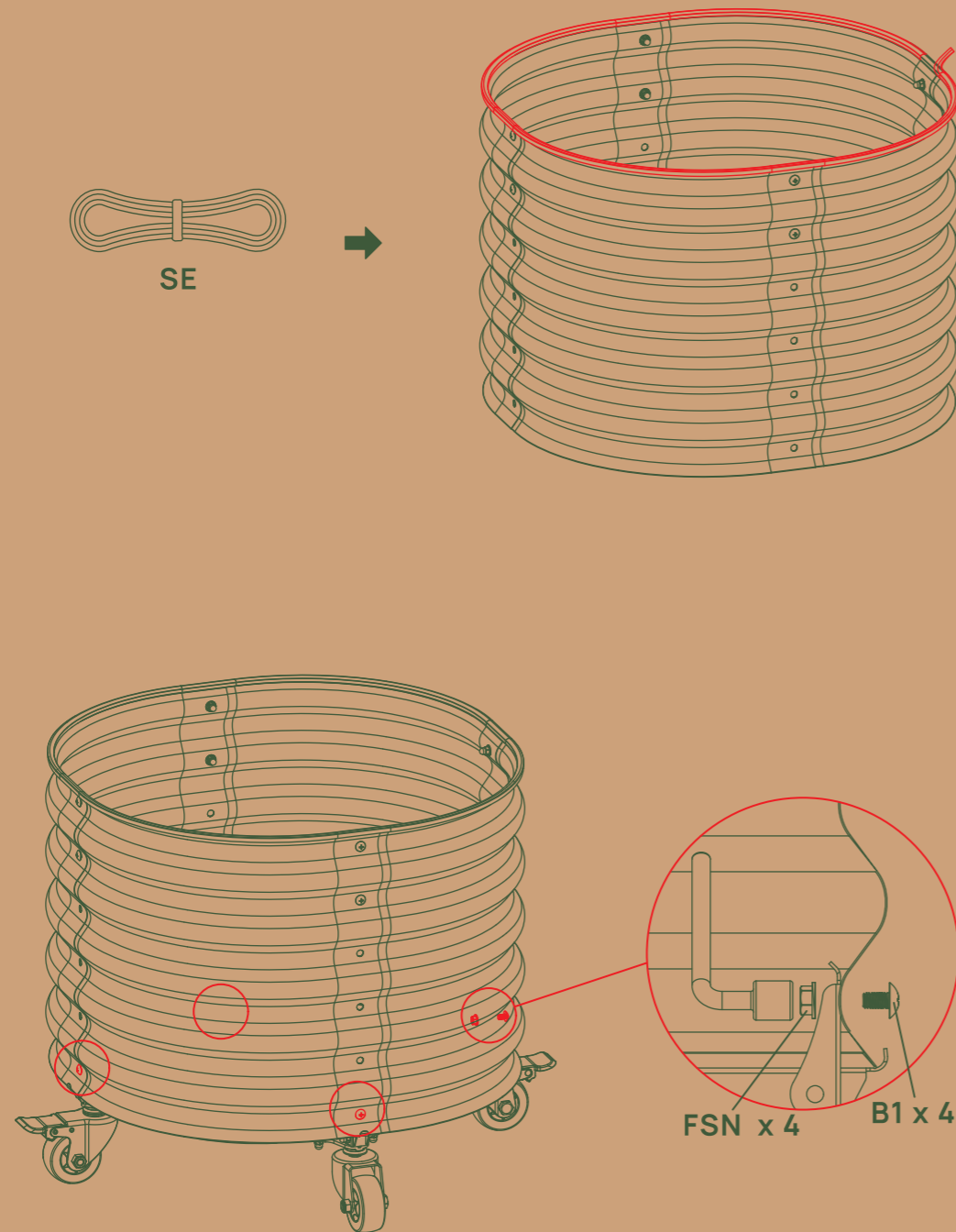


4 Attach the casters (C1, LC) to the bottom of the legs. Install the different caster types on adjacent corners (as indicated by the RED and BLUE markings below). Secure with bolts (B2), flat washers (MW), and cap nuts (CN). Tighten using the provided tools.



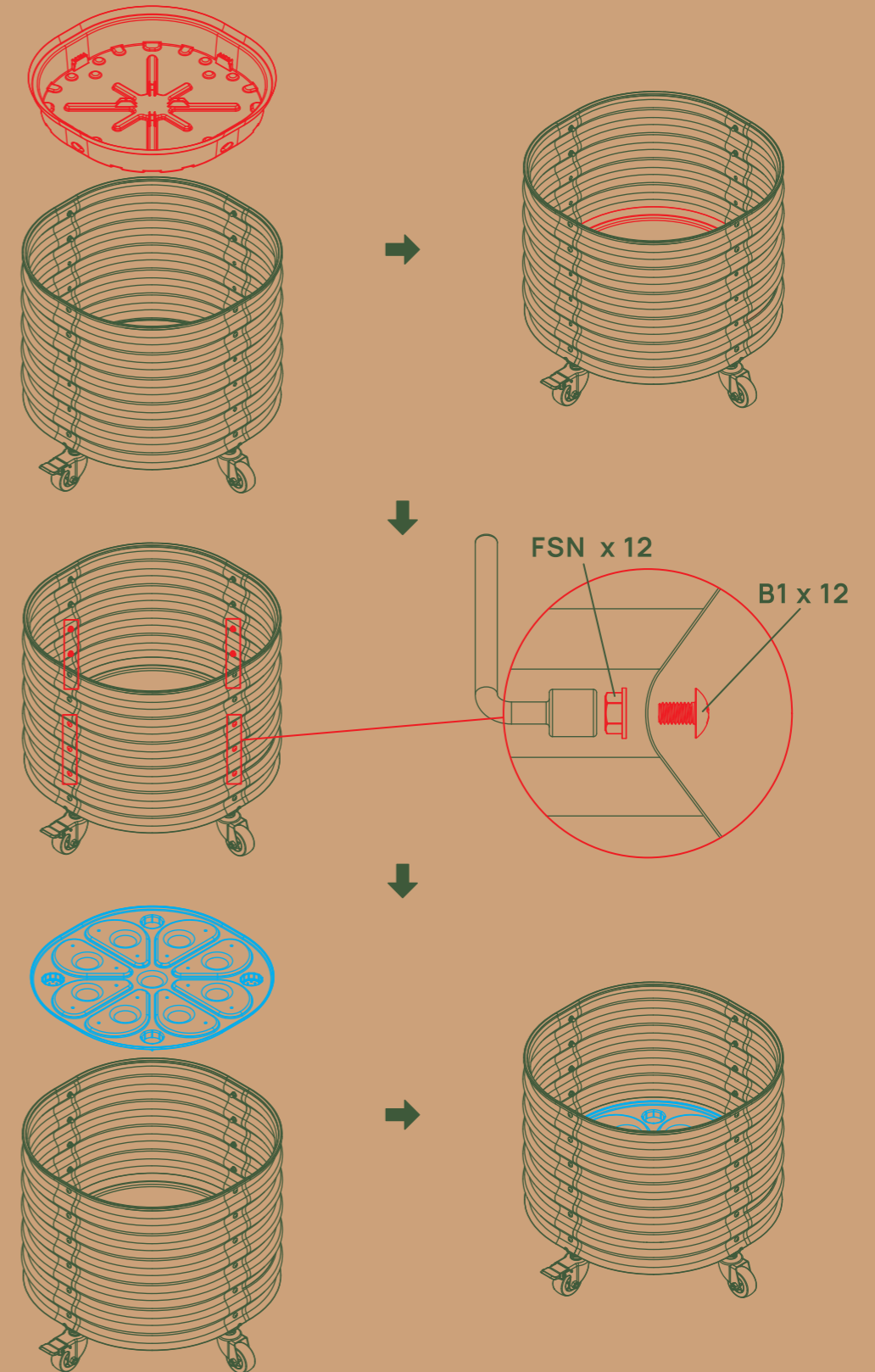
**5** Attach the safety edging (SE) to the top edges of the planter.

Then place the planter onto the frame, ensuring it rests securely within the adapter edges. Fasten the planter to the adapters using bolts (B1) and flange standard nuts (FSN).

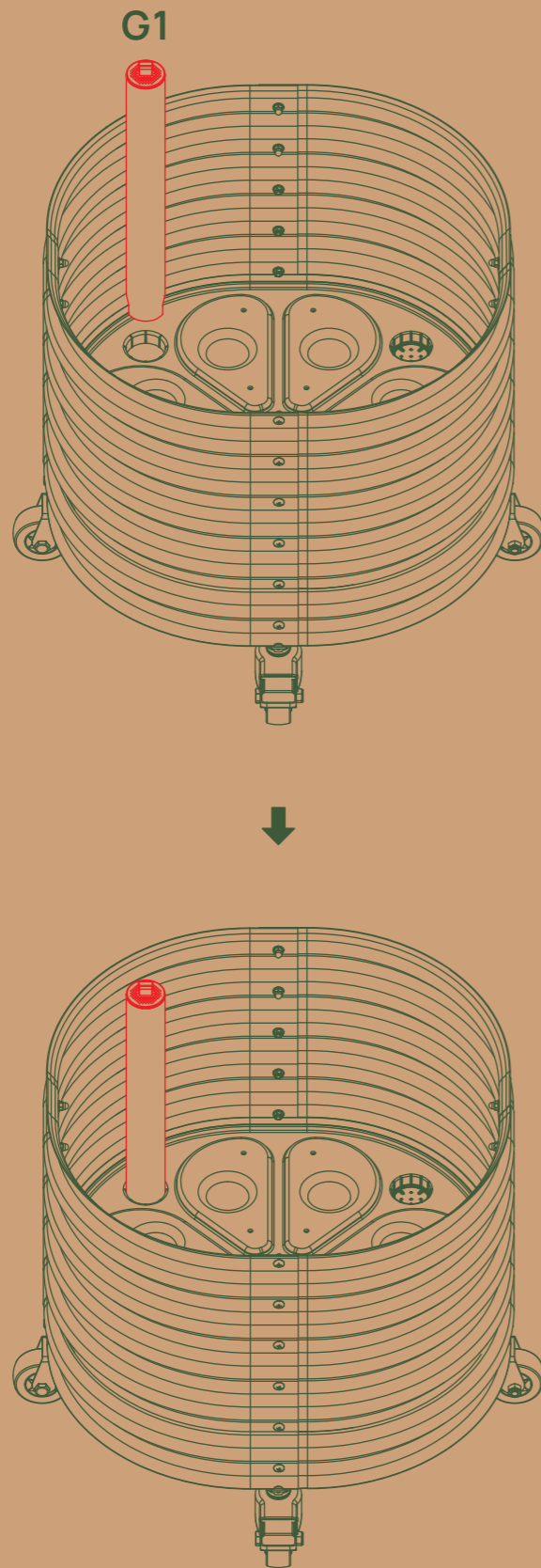


**6** Place the Wicking Cell Bottom (WCB) on the base frame of the planter. Secure the remaining holes with bolts (B1) and standard nuts (FSN). Place the Wicking Cell Top (WCT) over the bottom tray.

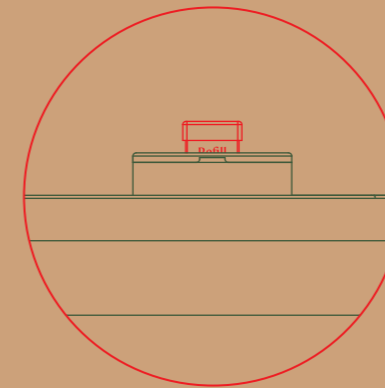
**Note:** The Wicking Cell Bottom features an overflow hole that allows excess water to drain out, helping prevent water accumulation in the planter during heavy rainfall or overwatering.



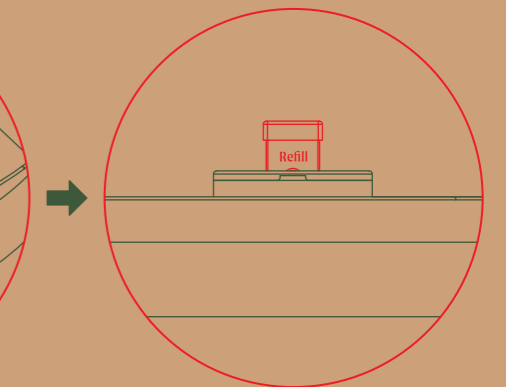
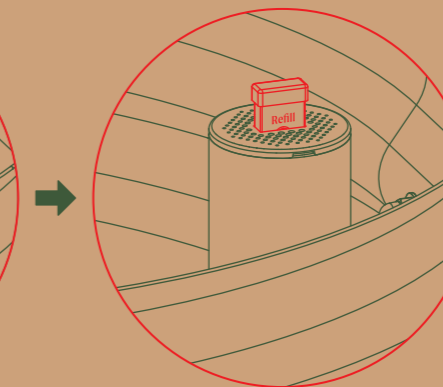
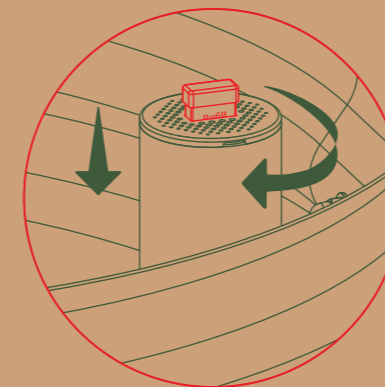
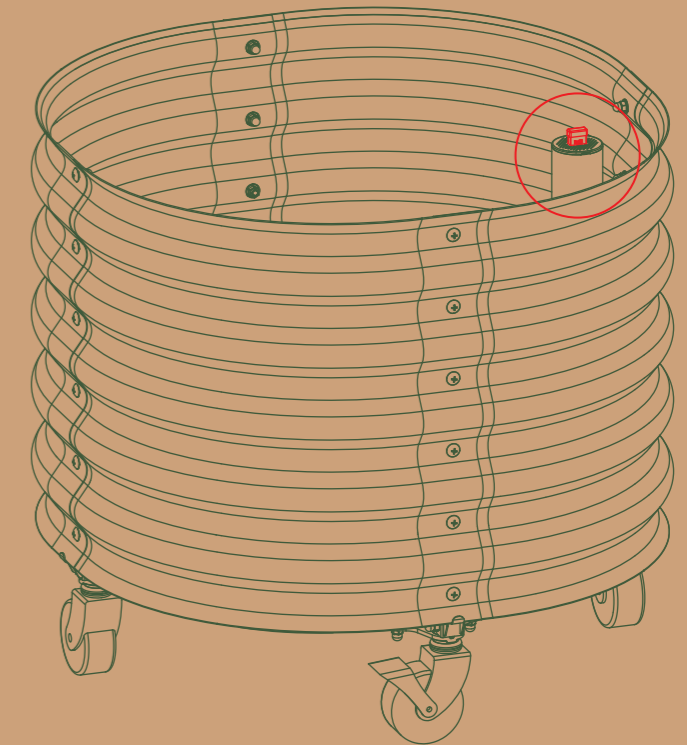
- 7** Insert the water gauge tube (G1) into the opening on the Wicking Cell Top and push it all the way down until it reaches the Wicking Cell Bottom.



- 8** When installed correctly, you should be able to clearly see the word "Refill" as indicated in the diagram below. If not, gently push the tube down and twist it slightly until you can see it - Do not force the tube.



**Incorrect Installation**  
The "Refill" marking is not fully visible.



**Correct Installation**  
The "Refill" marking is fully visible.