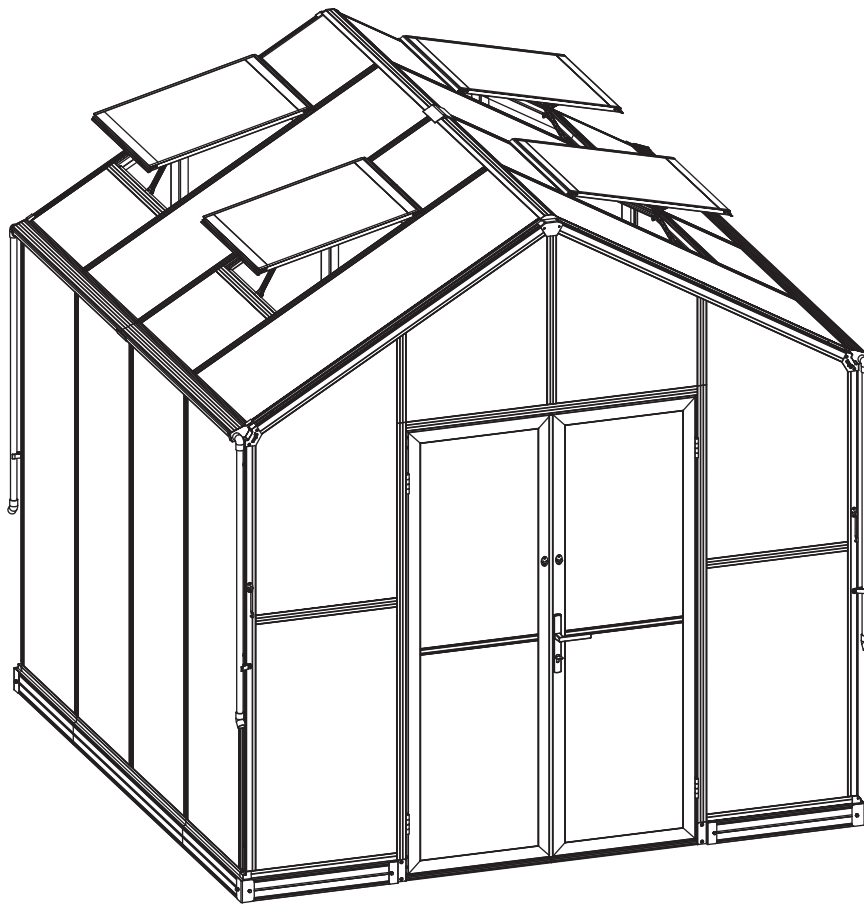




Manual for Vego Victorian Greenhouse 8.5 X 8.5 ft.

Copyright © 2025 Vego



Model:
VGHV0808

Dimensions:
8.5' X 8.5' X 8.8' (H)

S T E E T I N G O U T

Safety Advice	03
Tools & Packing Information	03
Assembly & Maintenance	06
Foundation Assembly	08
Wall Assembly	20
Roof Assembly	56
Vent Assembly	60
Gutter Assembly	72
Door Assembly	75
Gutter Cover Assembly	82



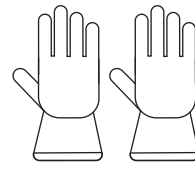
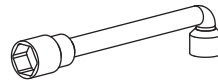
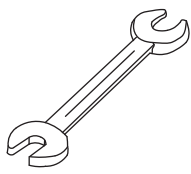
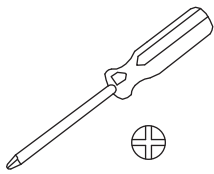
Safety Advice

1. This product is designed to be used as a greenhouse.
2. It is important to assemble the product according to this manual, do not skip or modify any steps.
3. Wear gloves, shoes and safety glasses during assembling to avoid injury.
4. Do not climb or stand on the roof.
5. Keep children away from the assembly area.
6. Do not assemble the product in windy, wet or bad weather conditions.
7. Do not assemble the product under the influence of medication, alcohol or drugs.

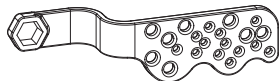


Tools & Packing Information

● Tools Provided



(Glass Model)



● Tools Required (Not Provided)



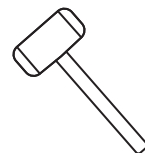
Painter's tape



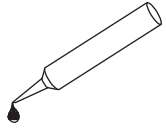
Tape measure



Scissors



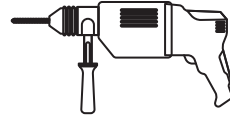
Rubber mallet



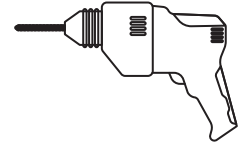
Silicone Caulk



Level



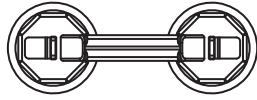
Hammer drill +
25/64 Drill bit
5/16" Drill bit



Cordless driver
- Philips head

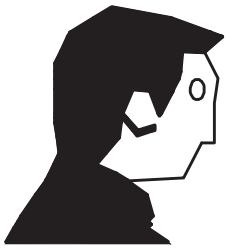


6ft Ladder

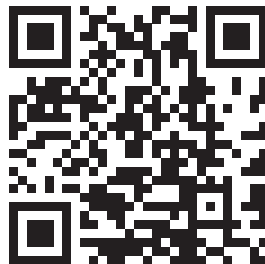


Glass suction tool
(Glass Model)

● 3+ Person Assembly



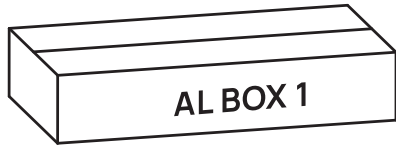
3+



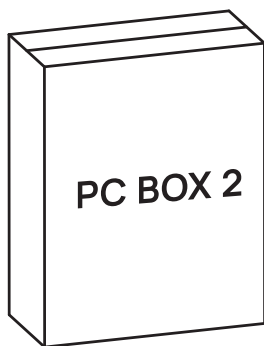
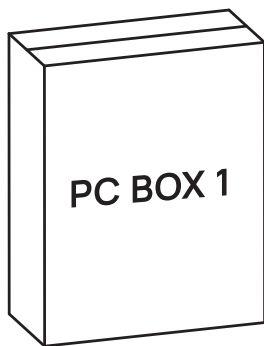
vegogarden.com

● Packing Information

Aluminum Frame & Hardware:

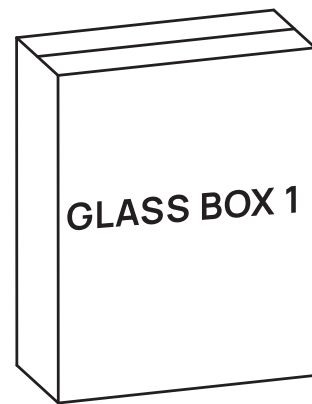


Full Polycarbonate Version:



Or

Polycarbonate + Glass Version:

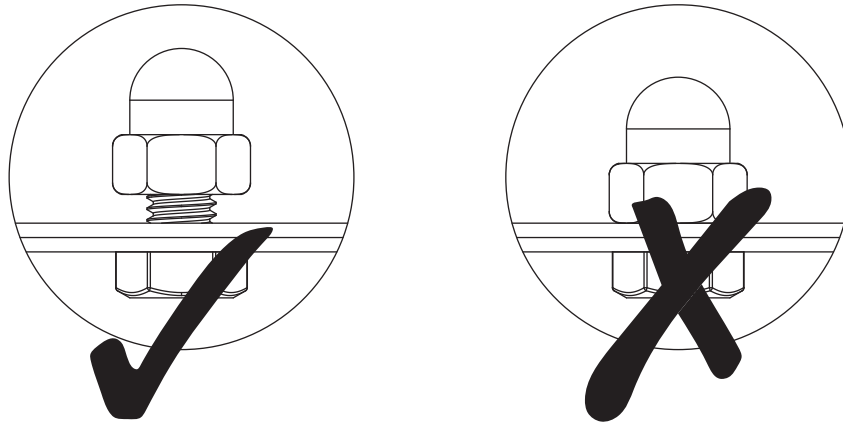


Packing List:

Please refer to documents provided in the boxes.

Assembly & Maintenance

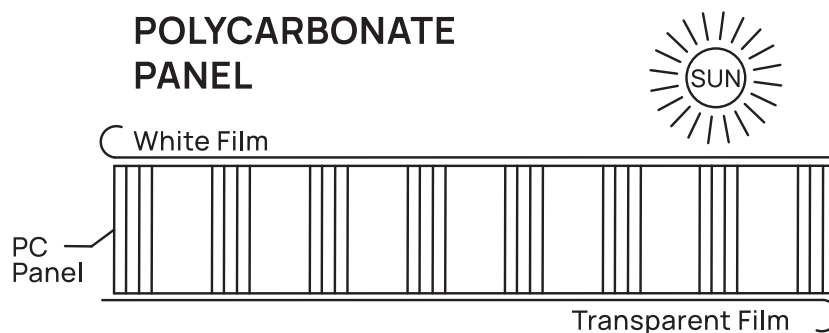
1. Place the parts on a soft surface to avoid scratches and damage.
2. Loosely tighten bolts as you assemble. After the greenhouse is built, and still loosely connected, tighten all bolts completely.



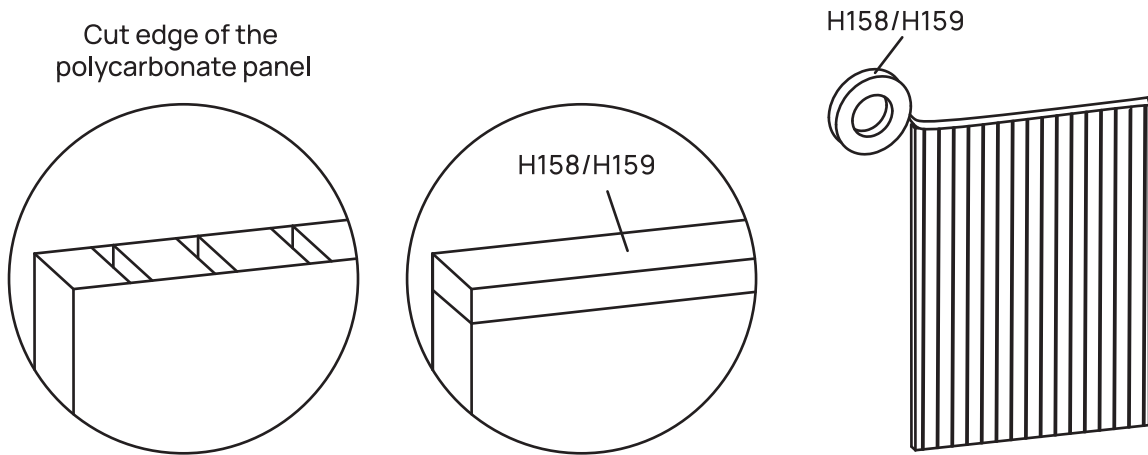
3. Keep the roof and gutters clear of snow, dirt and leaves in order to avoid damage to the product.
4. Clean the product with a mild soap and rinse with cold, clean water.
5. Do not use acetone, abrasive cleaners, or other special detergents to clean the product.

For PC Panels

6. Remove the clear film prior to assembly. The white film indicates the UV-Protected side of the panels. Peel back the white film to expose only the edges (until the panels are in place) to ensure that the UV-Protected side is facing outwards in final assembly.

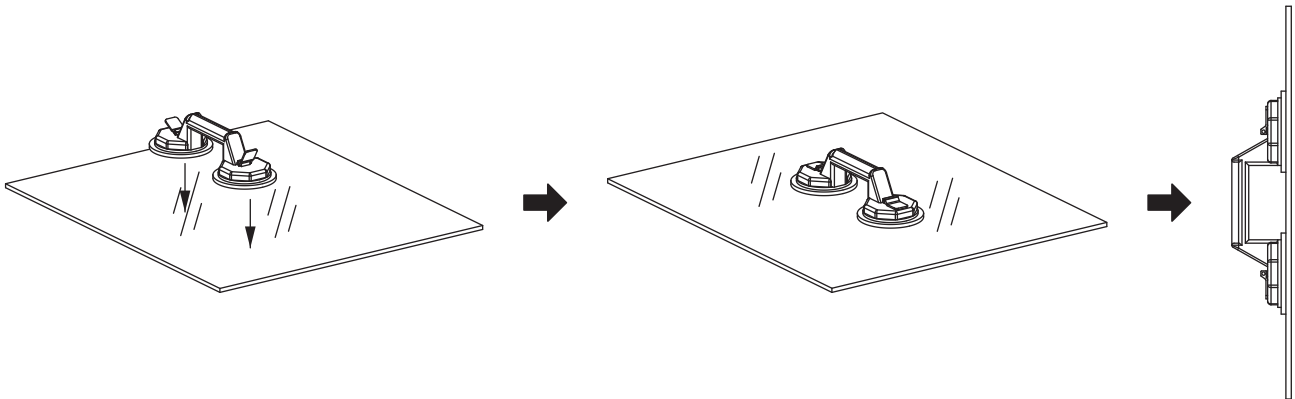


7. Cover the two cut edges of the PC panels with the provided tape before installation to seal the channels & prevent moisture from getting trapped inside.

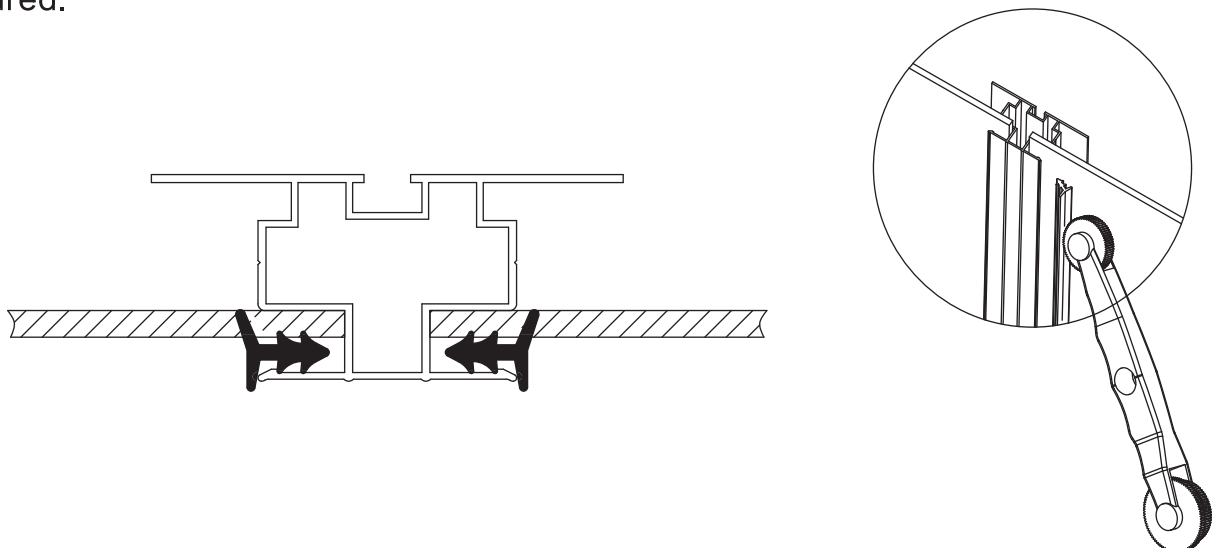


For Glass Panels

8. Use a glass suction tool (not included) for easier and safer installation of glass panels. Ensure all surfaces are clean, dry, and free from oil or dirt before use. Refer to your tool's manual for detailed instructions.



9. After the glass panels are positioned, use the provided roller tool to press the sealing strip into the gap between the glass and the frame, ensuring it is firmly secured.

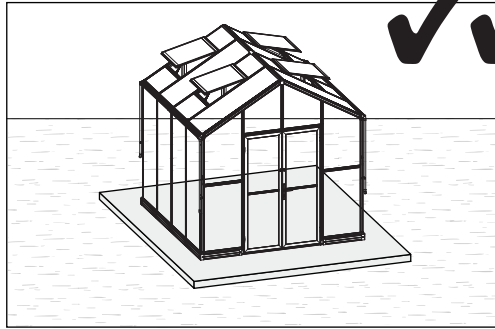
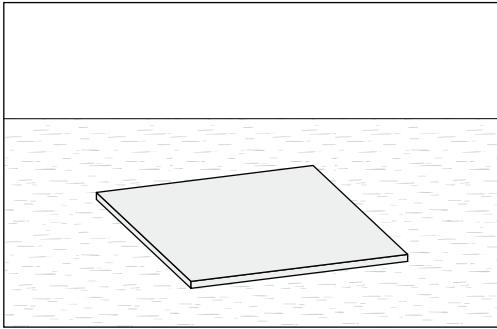


Foundation Assembly

STEP 01

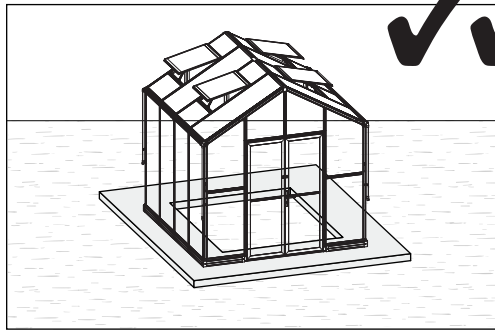
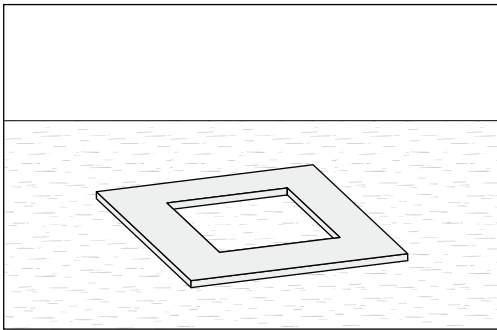
Choose a hard, clean, level surface to position your greenhouse. If the selected area is not level, clear and level it before beginning.

● Option 1: Solid foundation



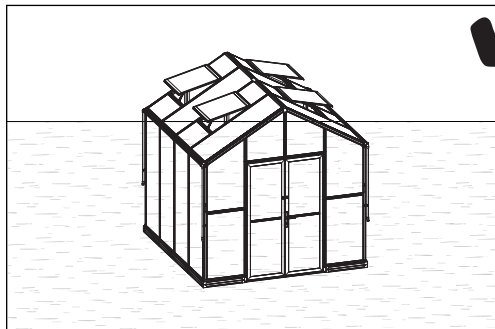
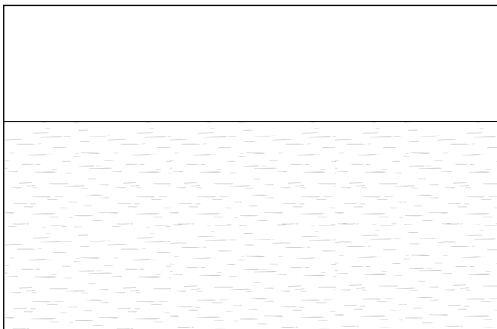
✓✓ Preferred

● Option 2: Solid frame



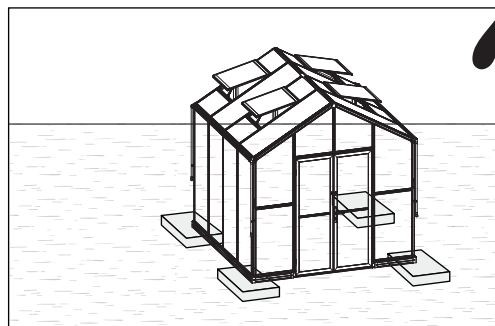
✓✓ Preferred

● Option 3: Firm ground / grass



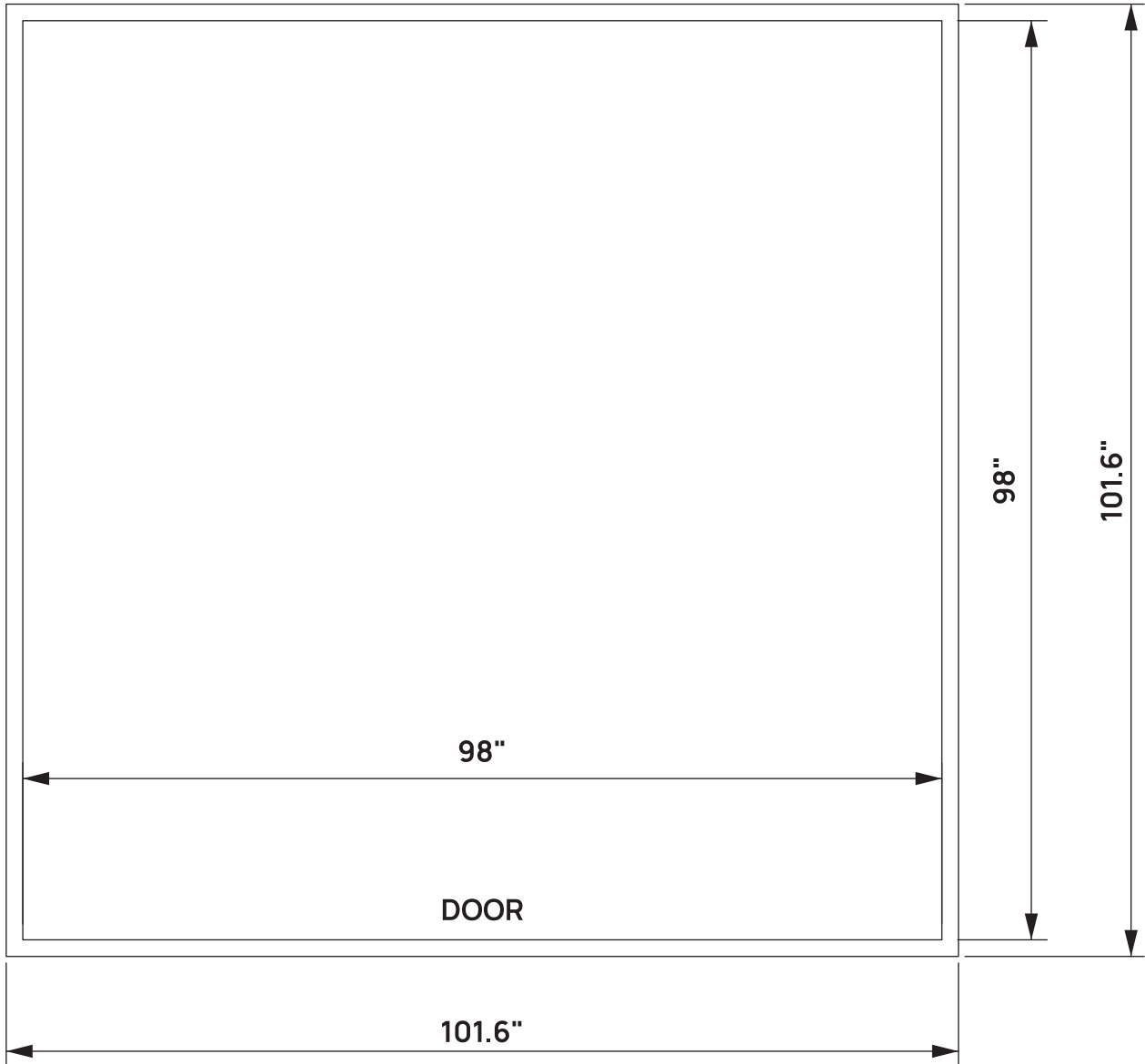
✓ Possible

The size of the greenhouse displayed is for illustrative purposes only and may not reflect the size of your greenhouse.










✗ Not possible

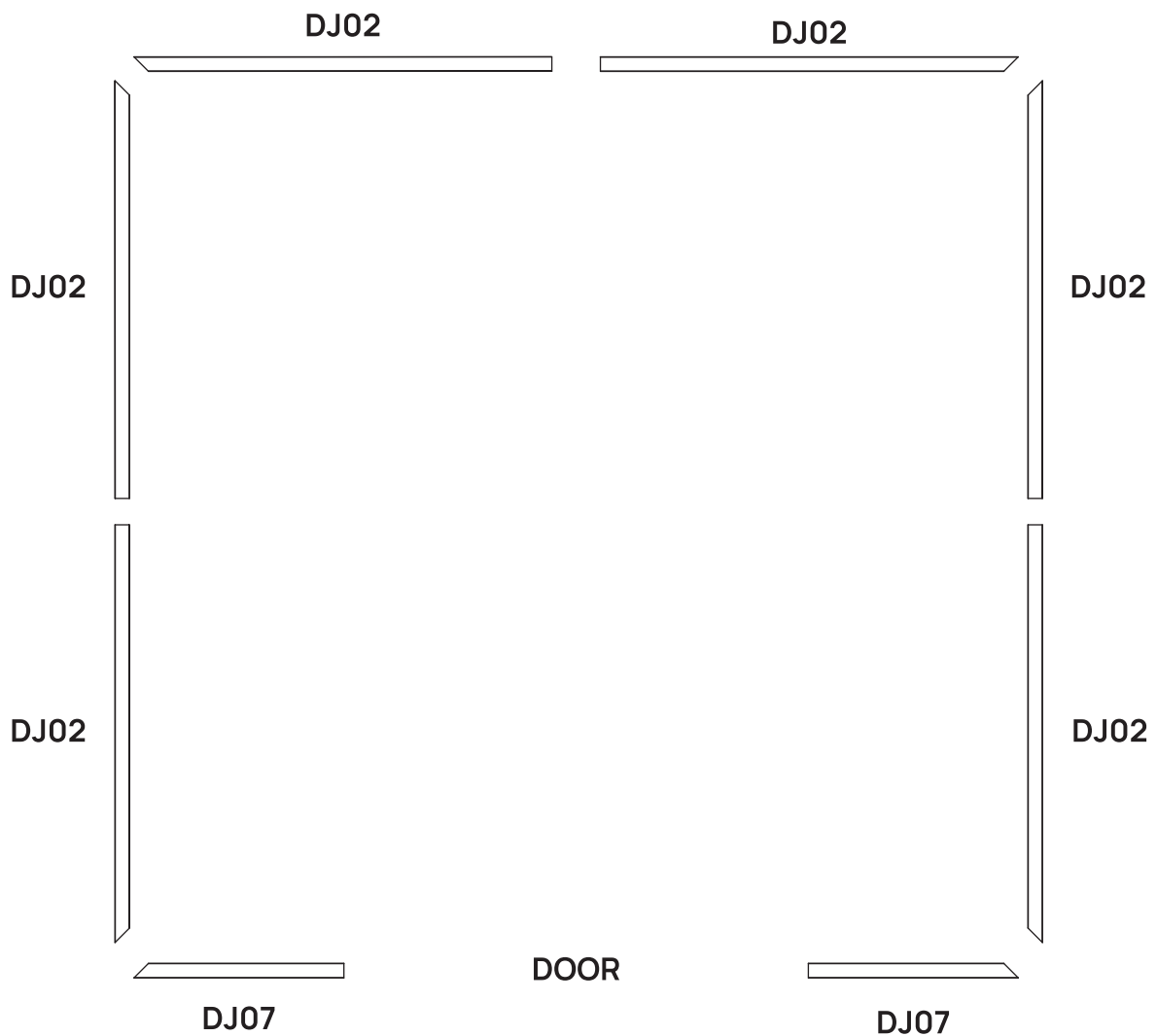
Foundation Dimensions



STEP
02

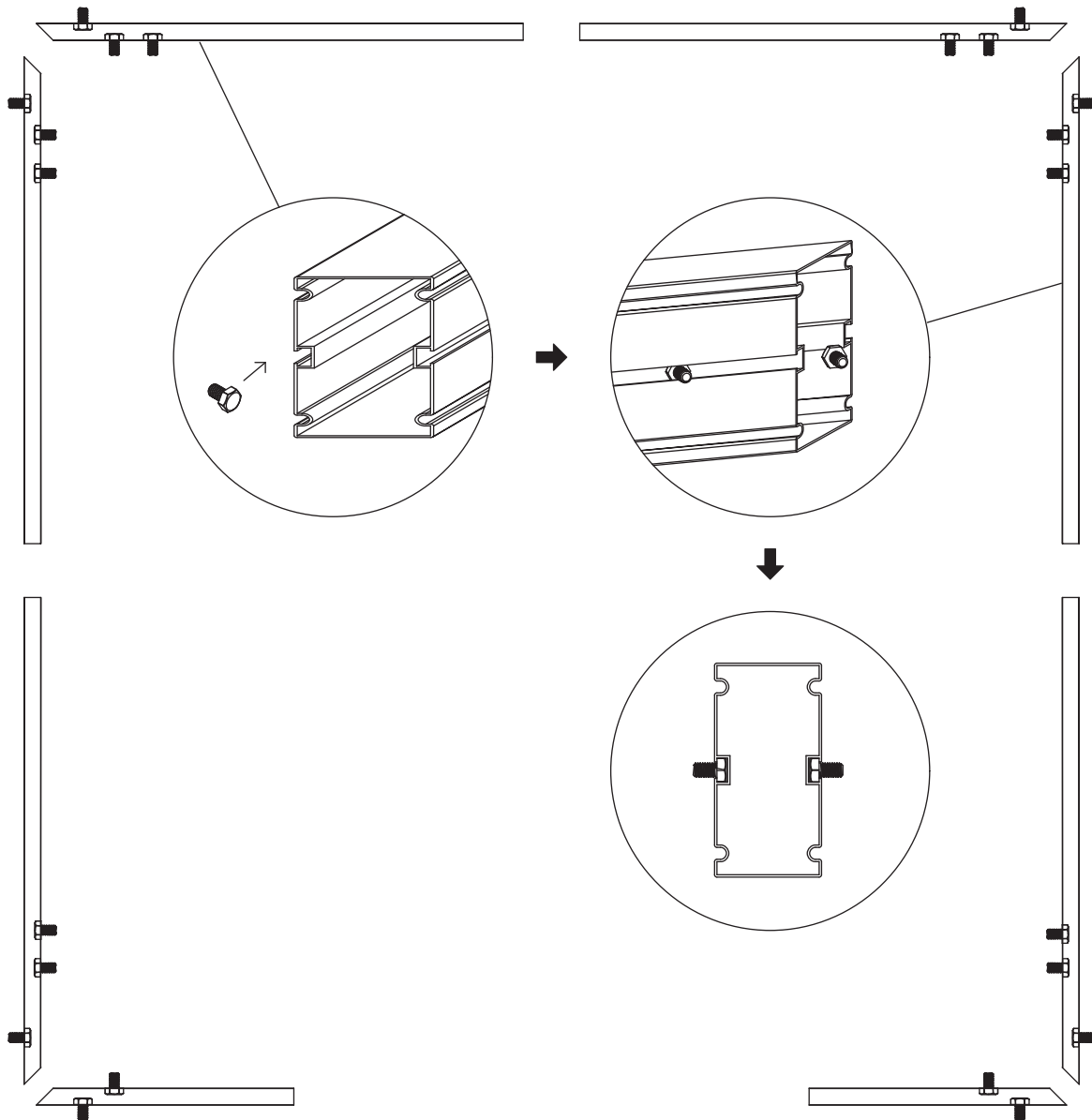
Lay out the foundation pieces as diagrammed, using the door location as a reference.

BOX	PART	NO	QTY
ALBOX-3	 26IN	DJ07	2
ALBOX-2	 51IN	DJ02	6
ALBOX-3		D366	4
ALBOX-3		D73	4
ALBOX-3		D74	3
ALBOX-3		S03A M6X10	50
ALBOX-3		M24 M6	36



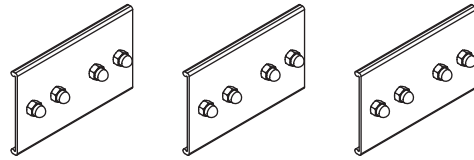
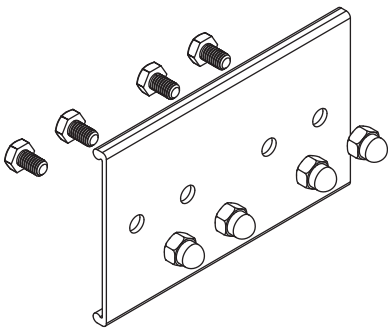
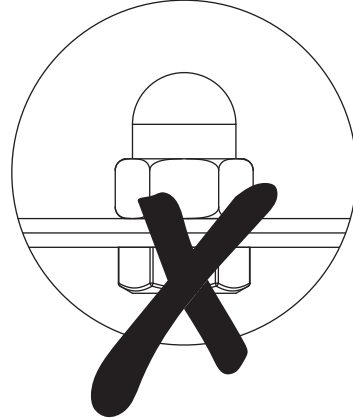
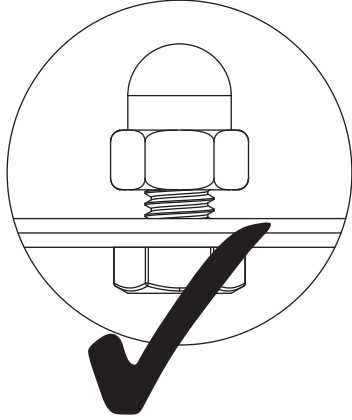
STEP
03

Slide the heads of S03A (x22) bolts in the grooves of the frame, on the inside and outside, as shown below. These will hold the outside connectors and anchor brackets.

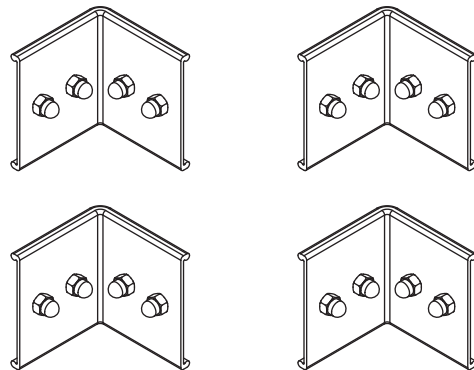
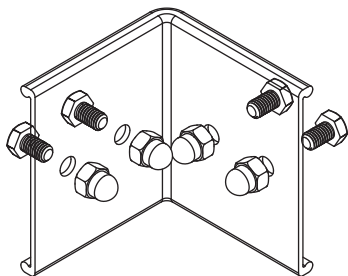


STEP
04

Assemble 3 sets of Z1 and 4 sets of Z2 connection plates by loosely installing the bolts and cap nuts.



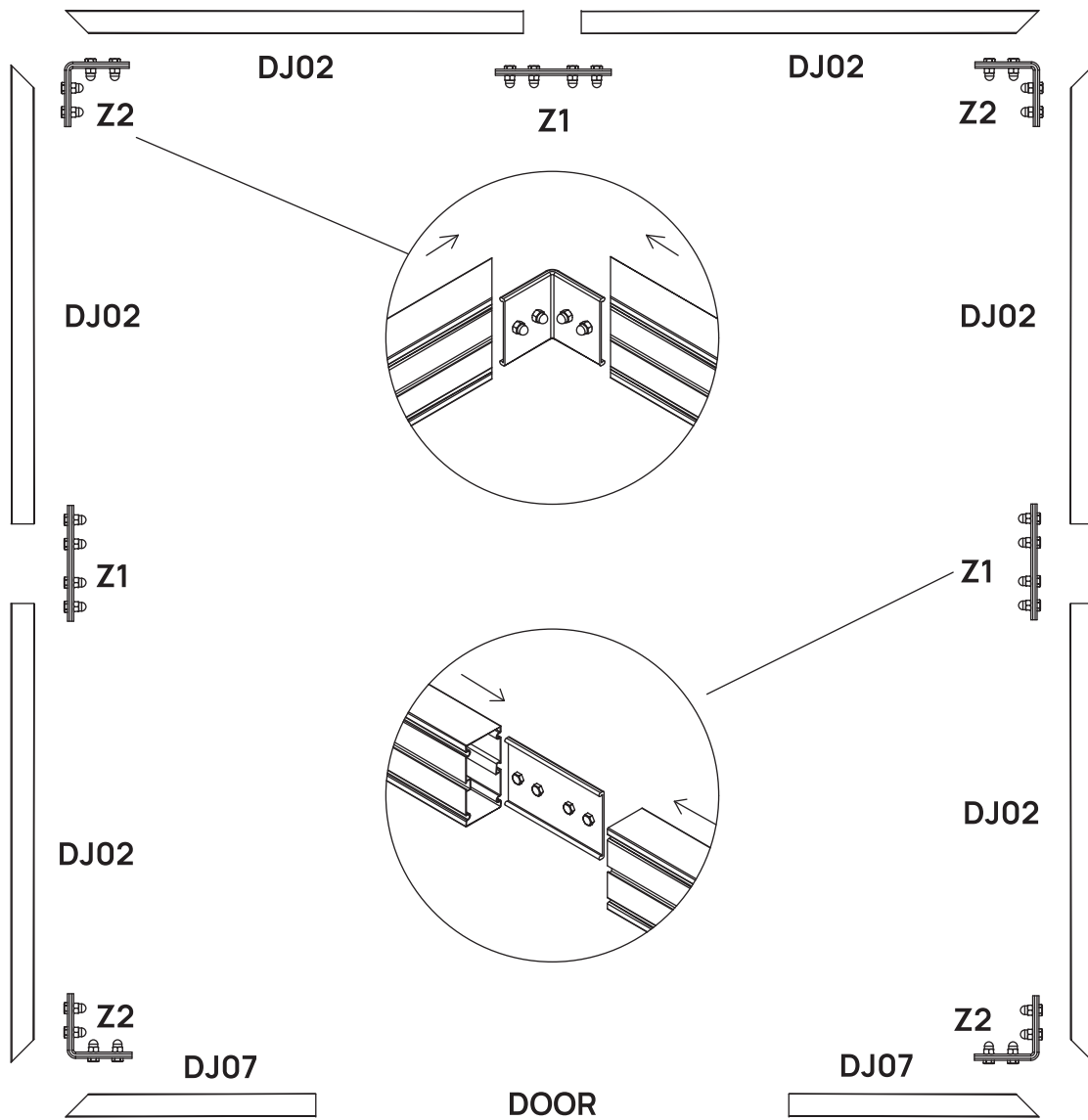
Z1 X 3



Z2 X 4

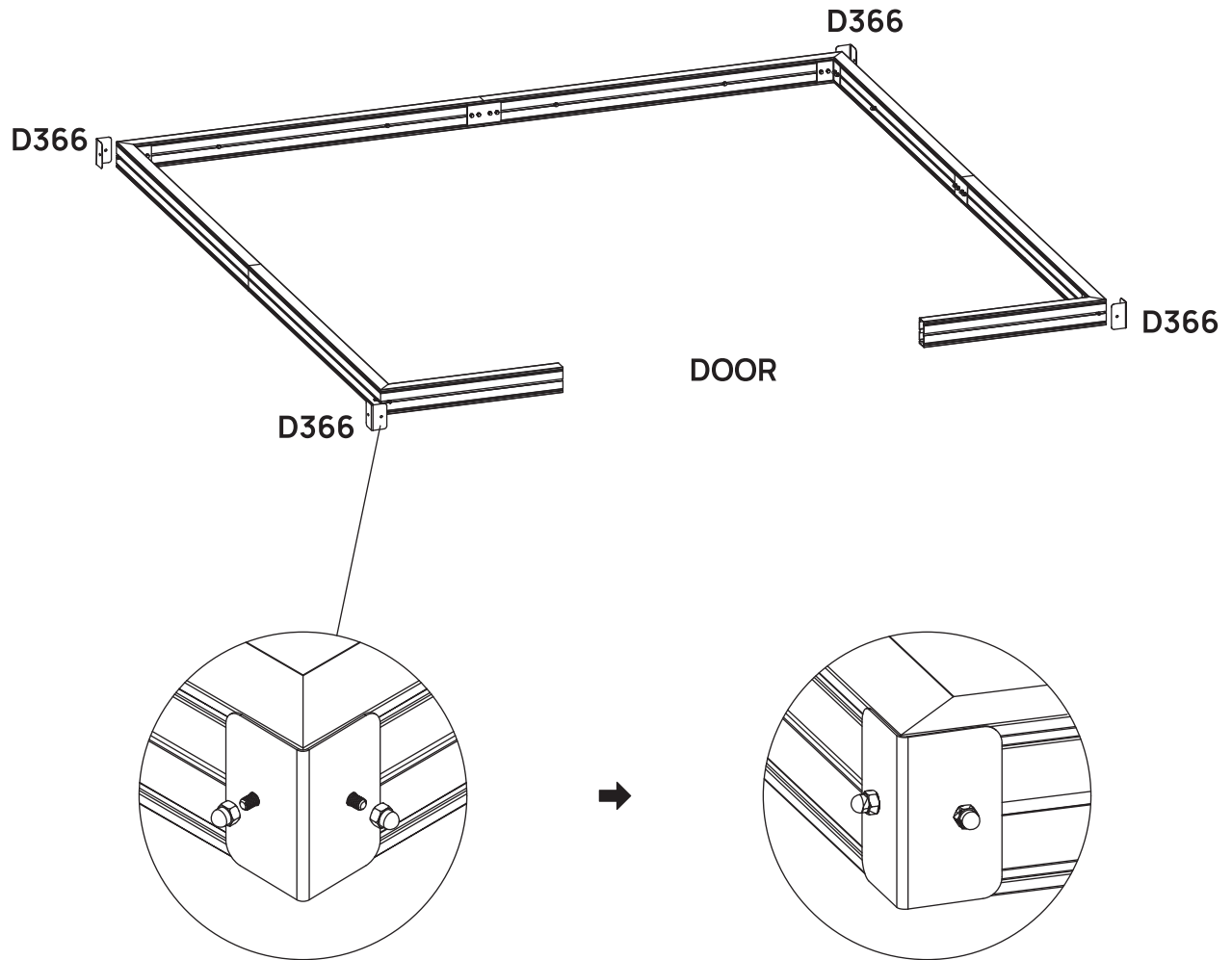
STEP
05

Slide Z1 & Z2 in the grooves of foundation pieces to connect each section and tighten the bolts until the frame is flush and square.



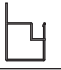
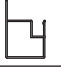
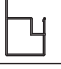







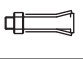


STEP
06

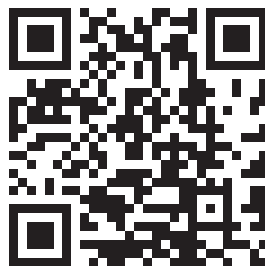
Connect the 4 corners with D366 L brackets using the previously installed S03A bolts. Secure with cap nuts.



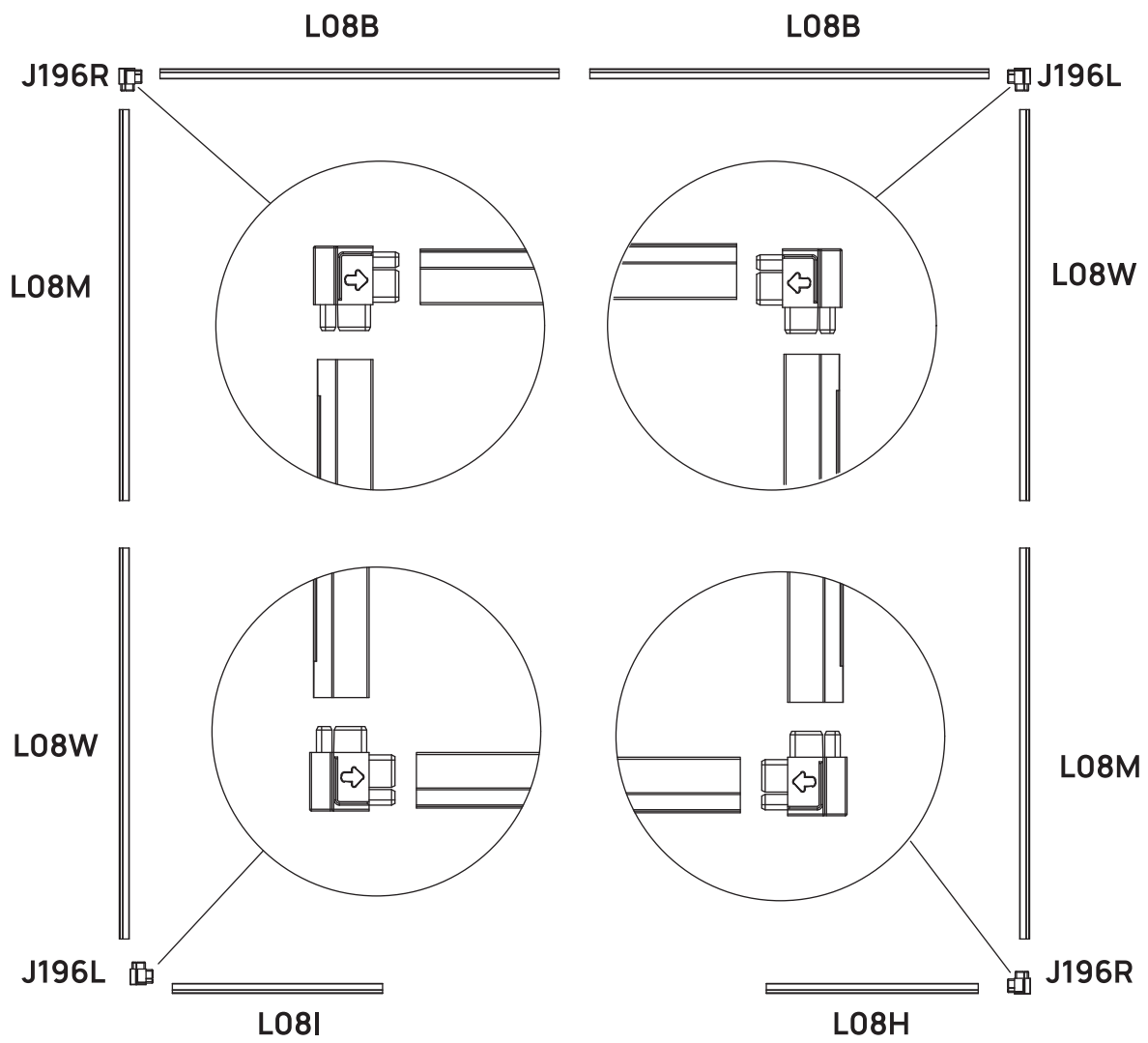
STEP
07

Lay out the base frame pieces as shown in the diagram, noting that there are two types of corner pieces.

BOX	PART	NO	QTY
ALBOX-2		L08B	2
ALBOX-2		L08M	2
ALBOX-2		L08W	2
ALBOX-3		L08I	1
ALBOX-3		L08H	1
ALBOX-3		J196L	2
ALBOX-3		J196R	2
ALBOX-3		D76	14
ALBOX-3		D75	14
ALBOX-3		M24 M6	14
ALBOX-3		S08A M8X60	14
ALBOX-3		Z13A Ø5X40	14
ALBOX-3		H79	14

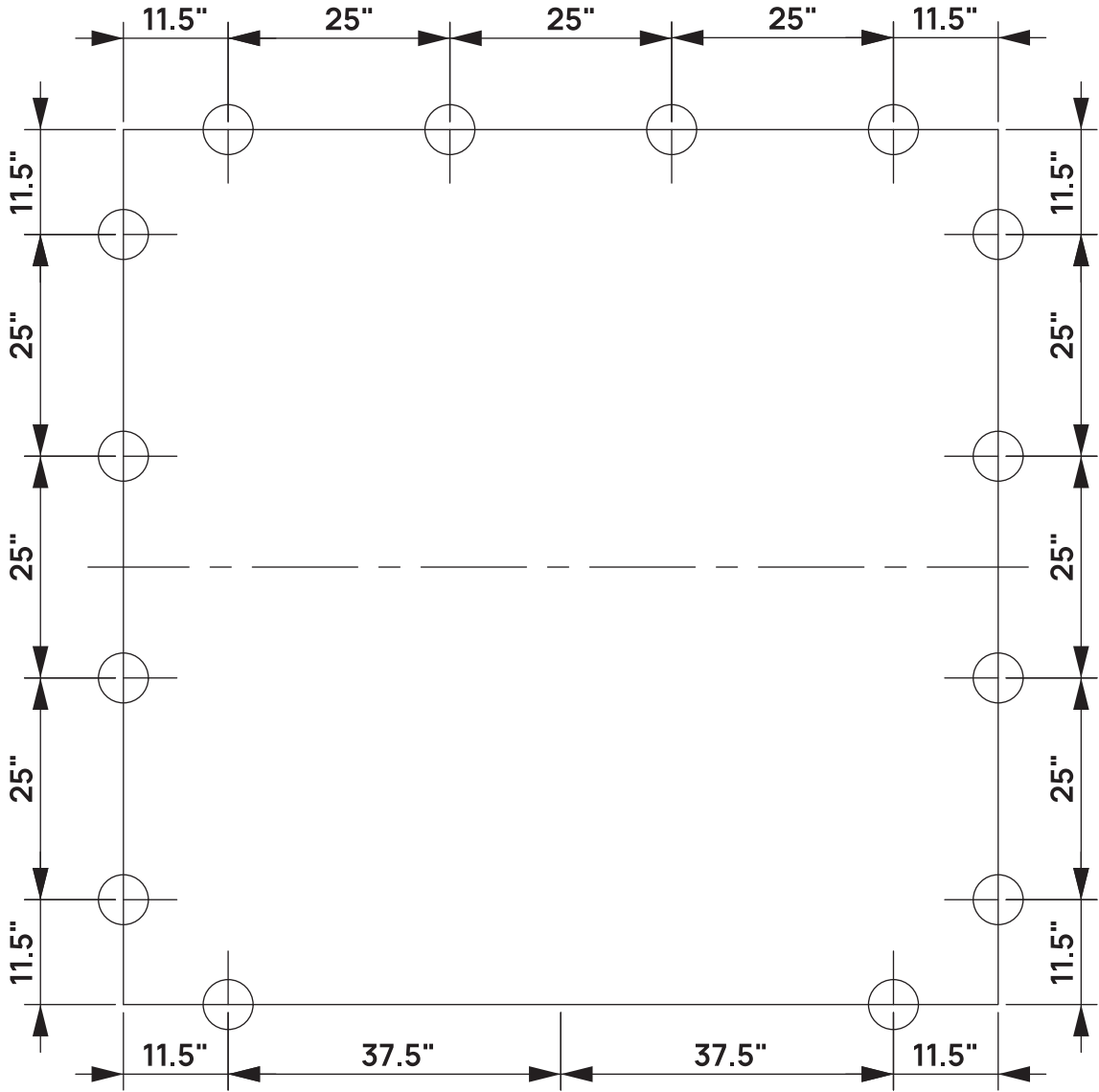


vegogarden.com



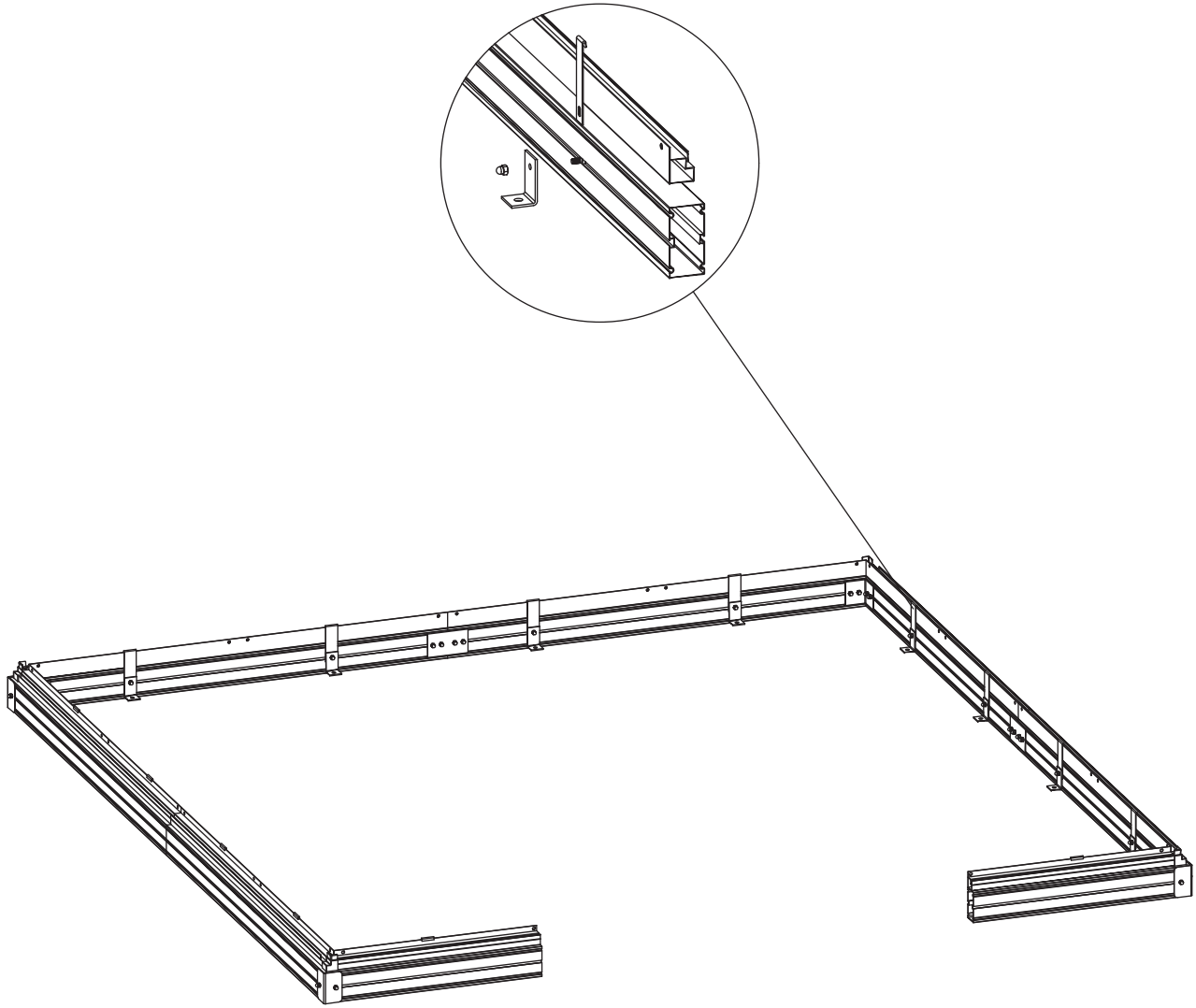
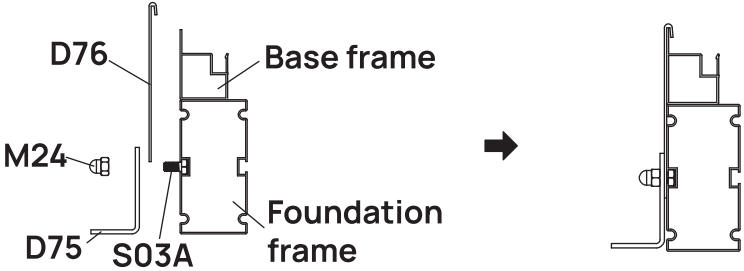
STEP
08

Mark 14 anchor holes on ground per the template below.

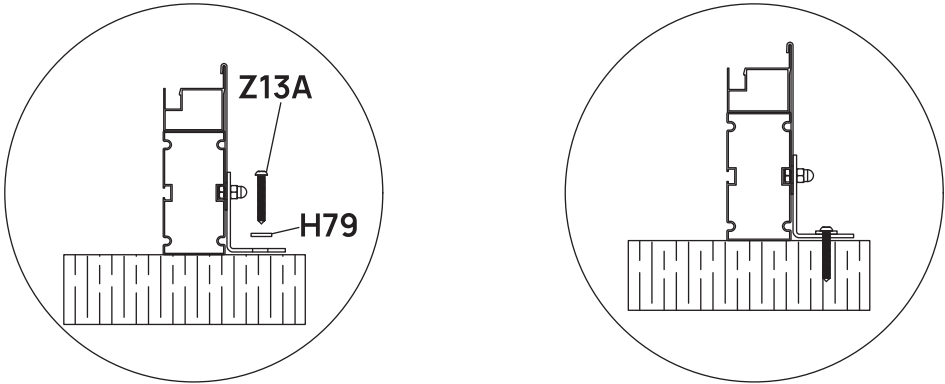


STEP
09

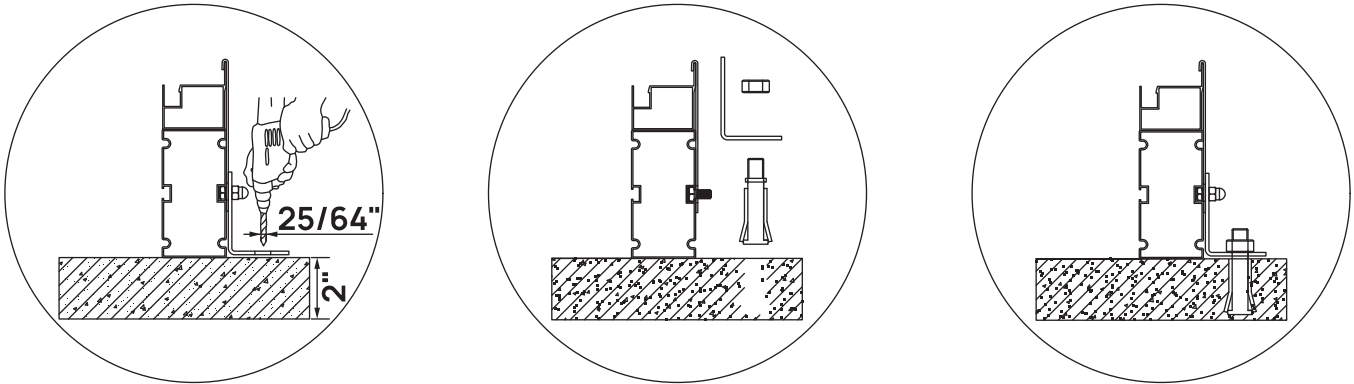
When connecting the base frame to the foundation frame, connect D75 and D76 brackets using the previously installed bolts and secure with cap nuts. Slide the assembled brackets over the marked anchor holes.



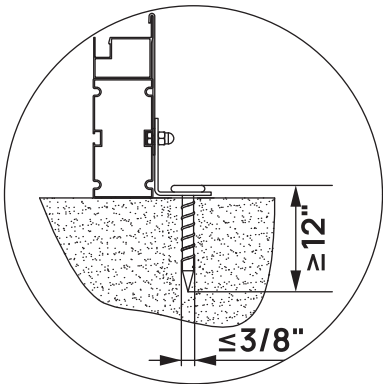
a. For wood surfaces, use Z13A wood screws and H79 washers to affix the base through the D75 bracket.



b. For cement surfaces, drill holes at a 2" depth with a hammer drill and 25/64" drill bit. Insert S08 expansion bolts into the holes, and attach D75 bracket using the included nuts.



c. For bare ground installation, purchase heavy duty landscape stakes at least 12" long with a diameter of $\leq 3/8$ ". Drive the stakes through the brackets and into the soil.







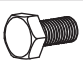



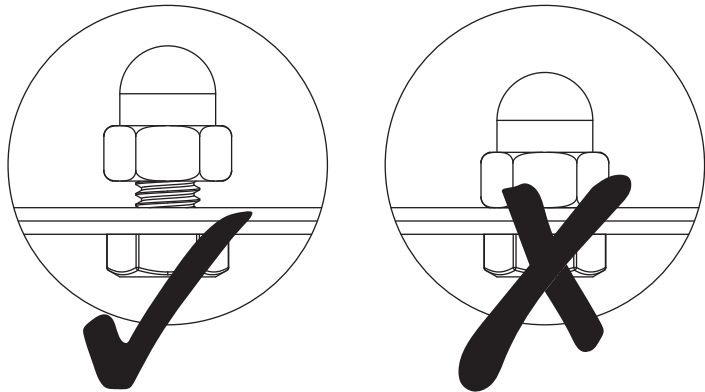
Steel bar/Lawn land
(Not Provided)

Wall Assembly

STEP 01

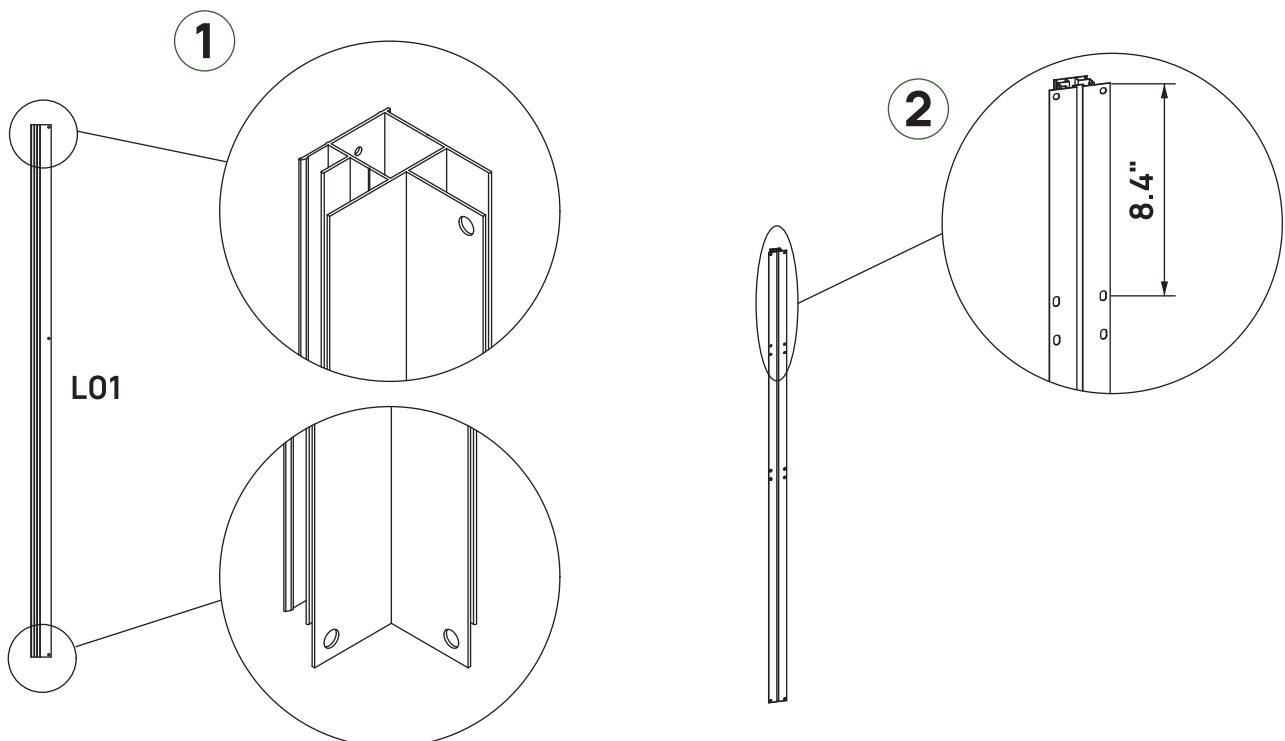
Assemble vertical frames and L05 frames as shown. Do not tighten until the entire wall frame is completely assembled.

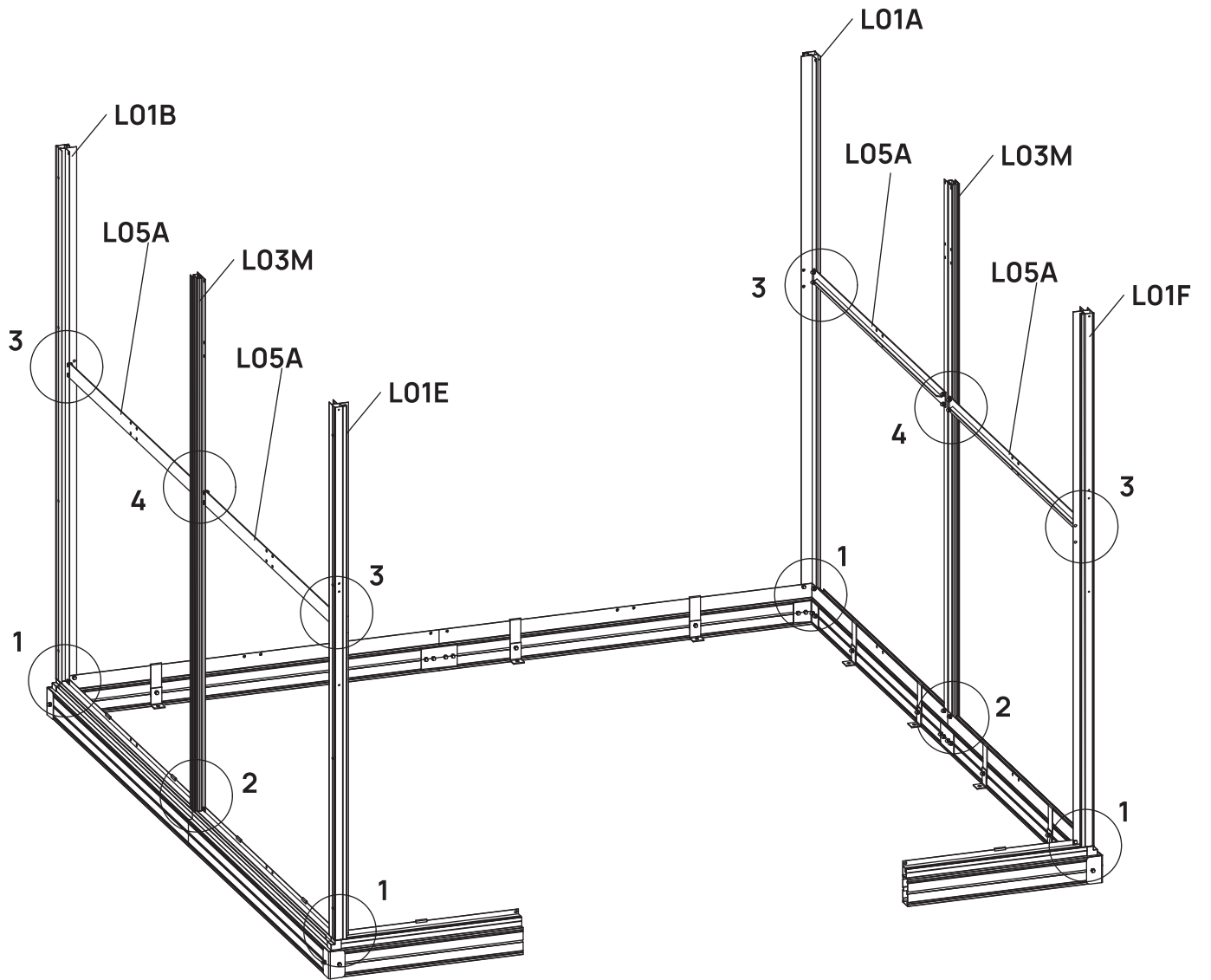
BOX	PART	NO	QTY
ALBOX-1		L01A	1
ALBOX-1		L01B	1
ALBOX-1		L01E	1
ALBOX-1		L01F	1
ALBOX-1		L03M	2
ALBOX-2		L05A	4
ALBOX-3		S03A M6X10	28
ALBOX-3		M24 M6	28



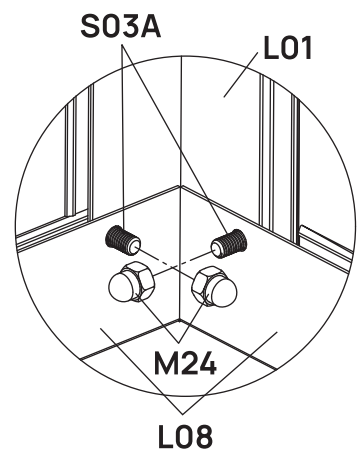
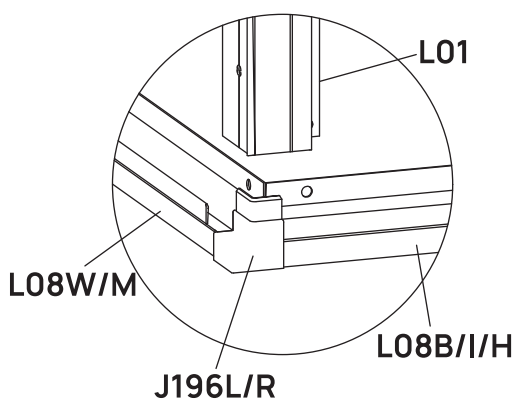
Note:

1. For L01A/B/E/F frames: the ends with one hole face upward.
2. For L03M frames: the ends with 6 holes closest together face upward.

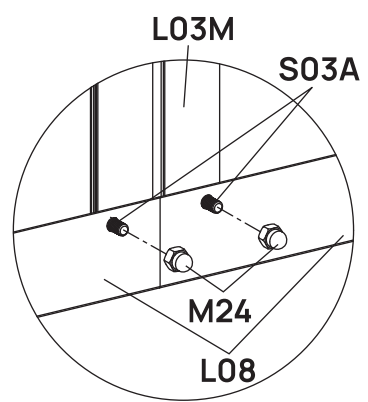




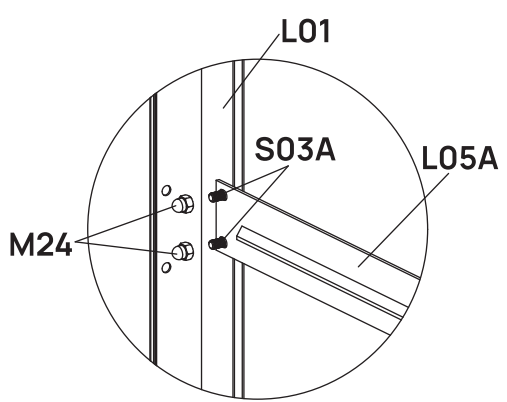
1



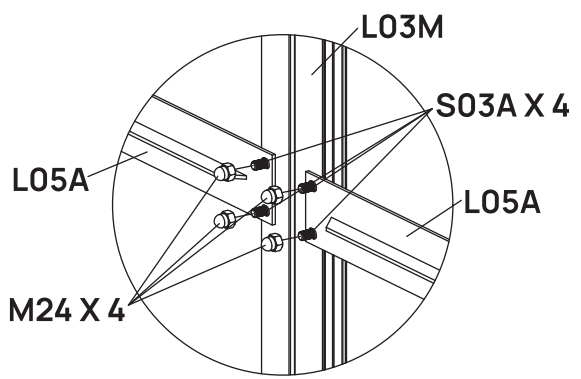
2



3






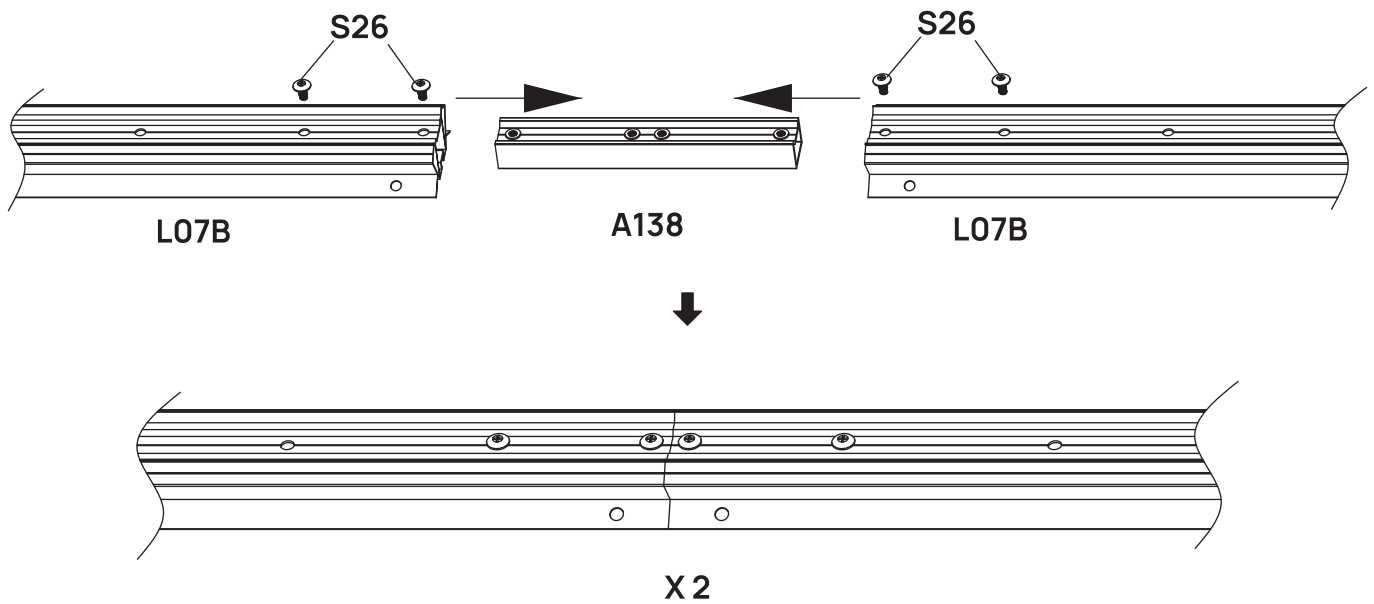
4



STEP
02

Assemble the horizontal eave pieces with A138 connectors and S26A bolts as shown.

BOX	PART	NO	QTY
ALBOX-2		L07B	4
ALBOX-3		A138	2
Pre-installed		S26A M5X12	8





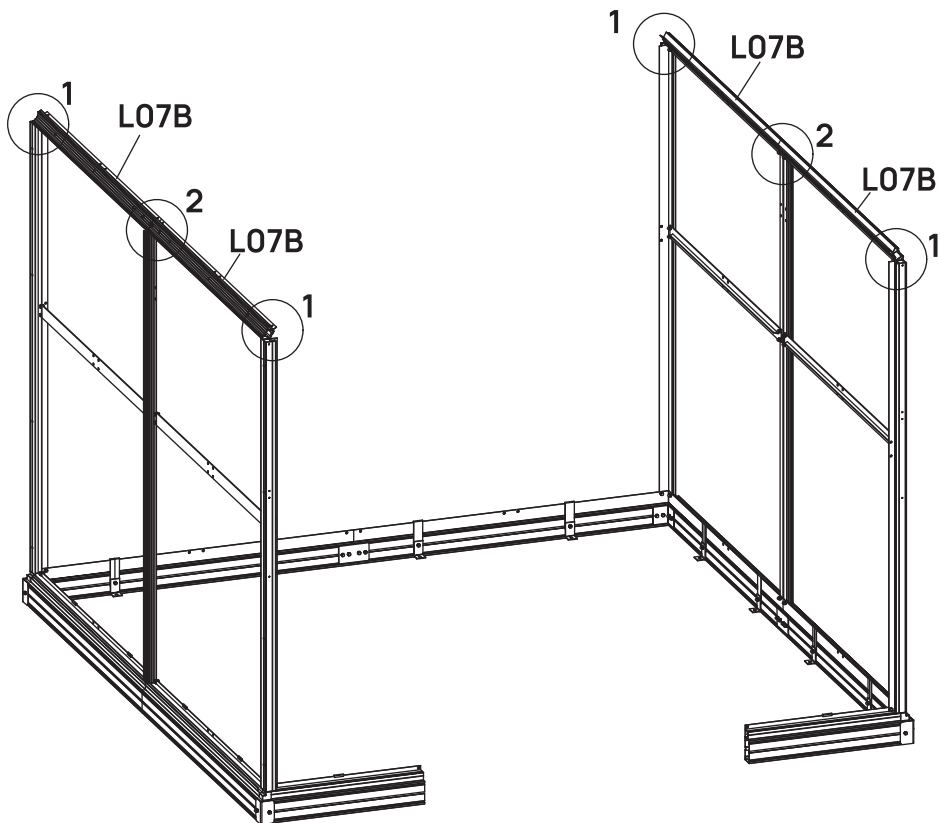
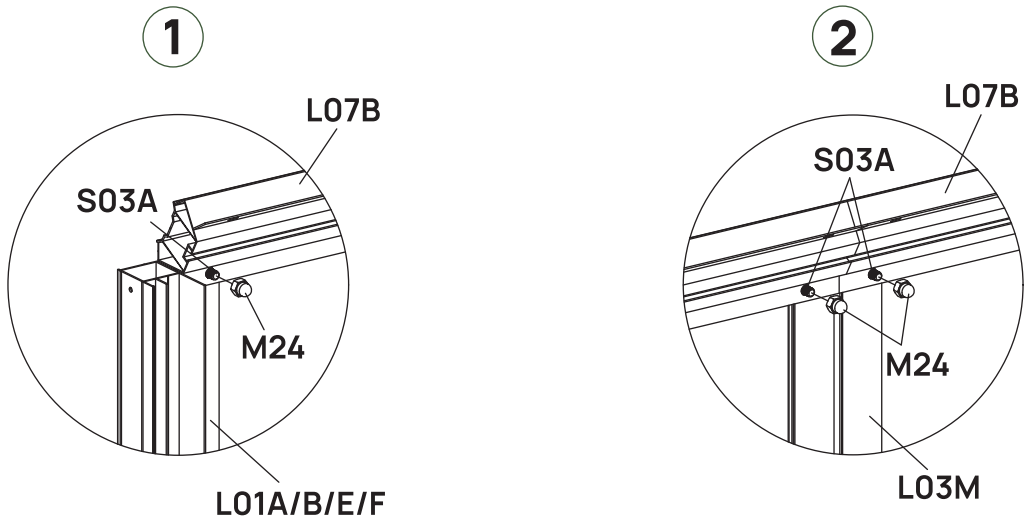
Note:

Before installing L07B, remove the S26A bolts that are pre-installed on A138.

STEP
03





Attach the horizontal eave frames to the vertical frames as shown.

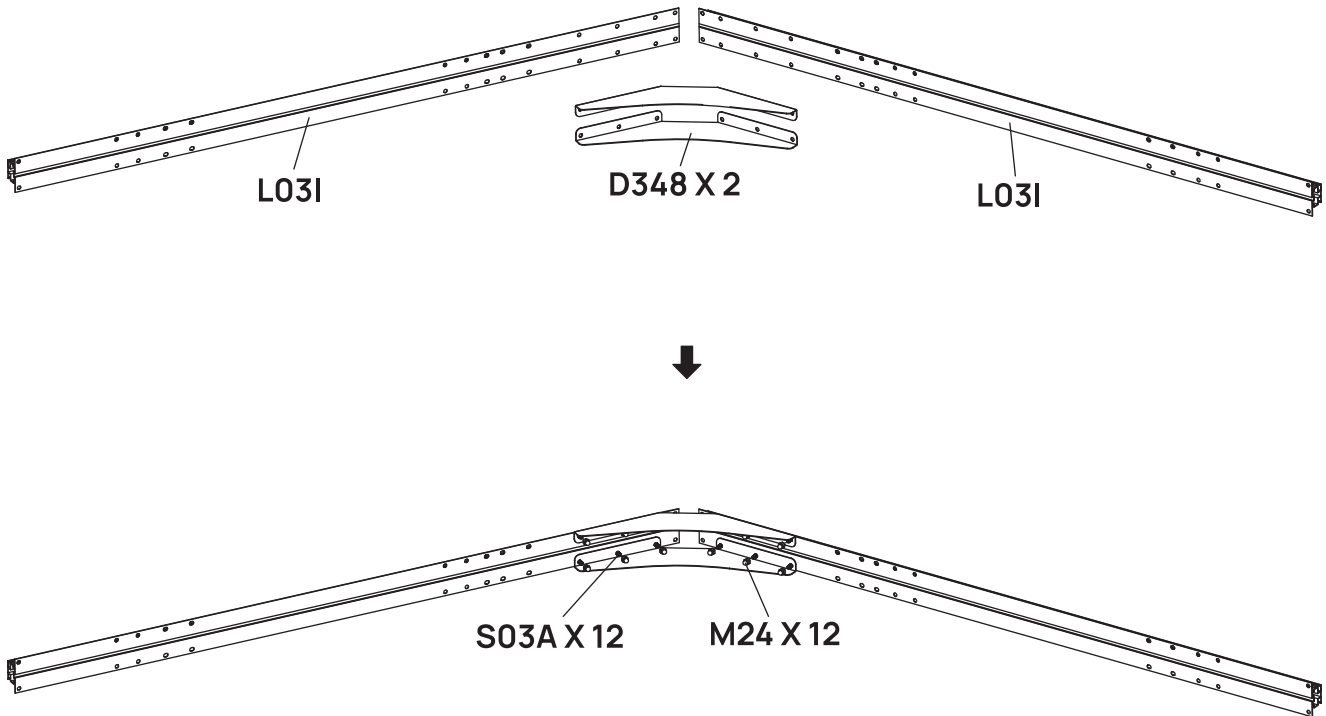
BOX	PART	NO	QTY
ALBOX-3		S03A M6X10	8
ALBOX-3		M24 M6	8



STEP
04



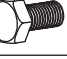


Assemble a roof rafter piece with D348 brackets as shown.

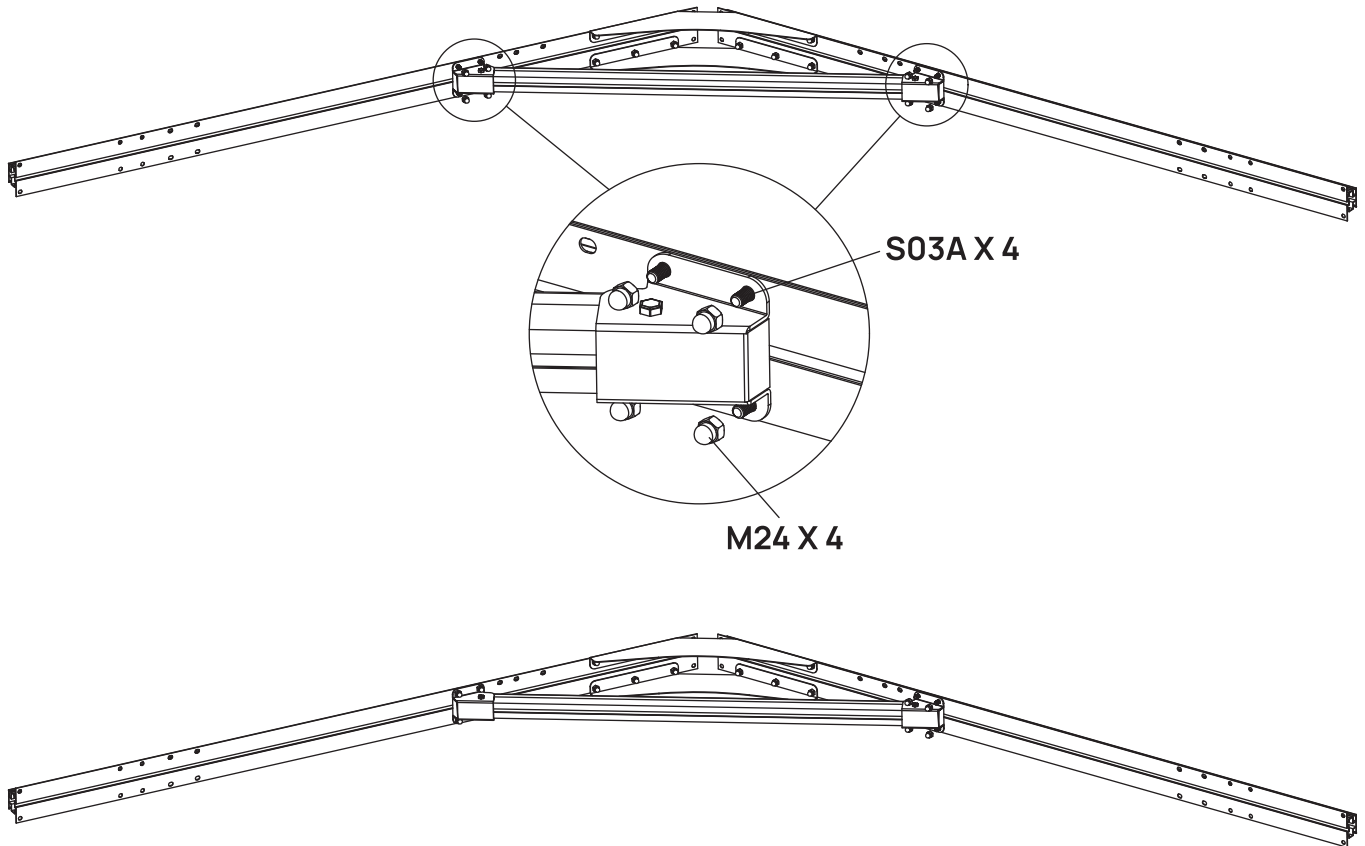
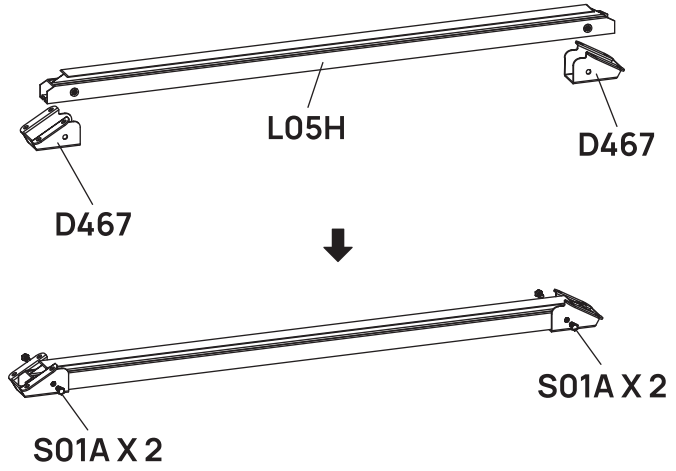
BOX	PART	NO	QTY
ALBOX-2		L03I	2
ALBOX-3		D348	2
ALBOX-3		S03A M6X10	12
ALBOX-3		M24 M6	12



STEP
05



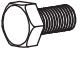
Assemble and attach the support bar to the rafter as shown.

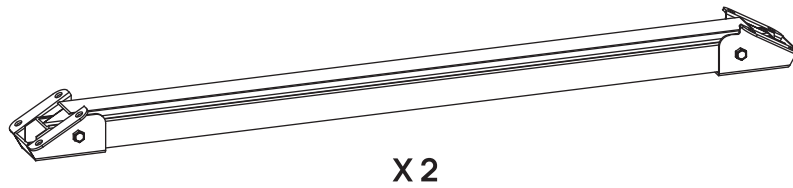
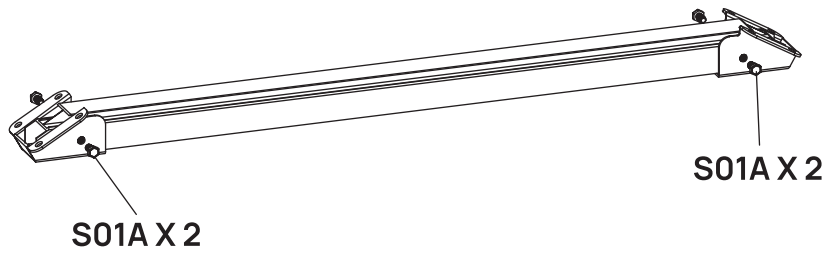
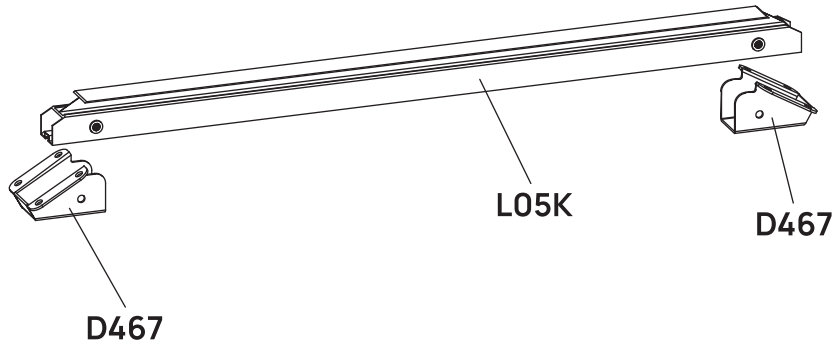
BOX	PART	NO	QTY
ALBOX-2		L05H	1
ALBOX-3		D467	2
ALBOX-3		S03A M6X10	8
ALBOX-3		M24 M6	8
Pre-installed		S01A M6X12	4



STEP
06

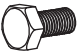

Assemble 2 sets of support braces as shown.

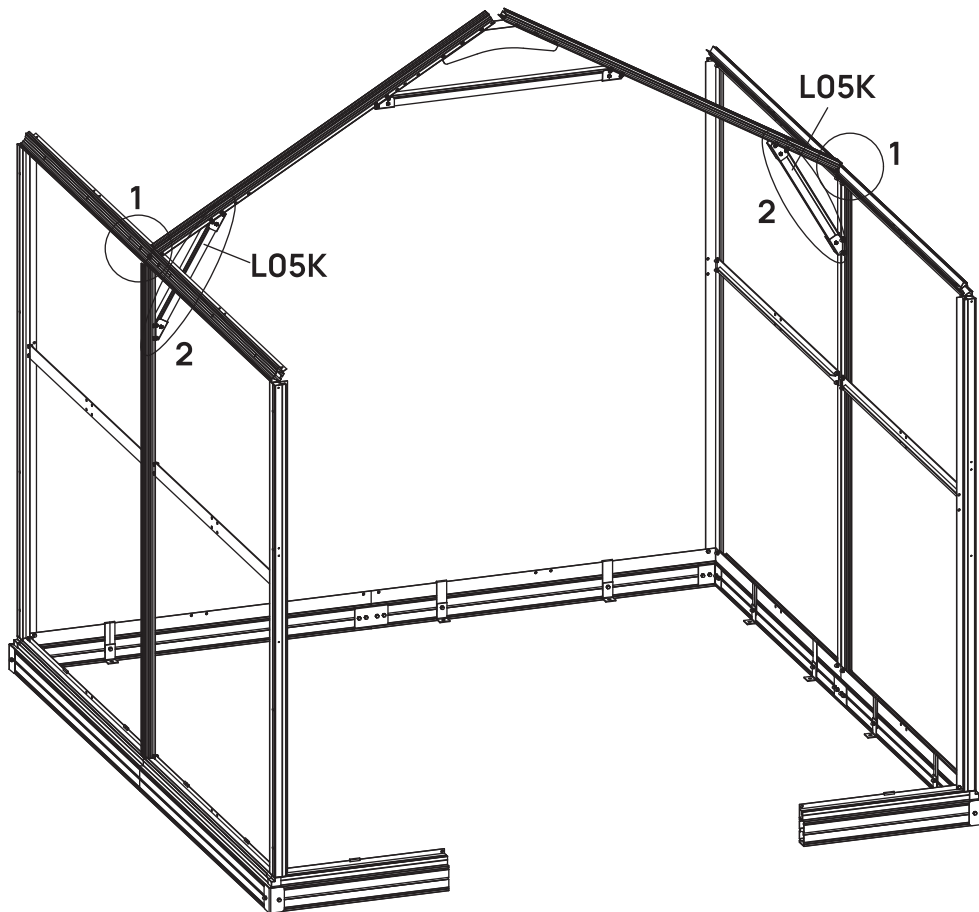
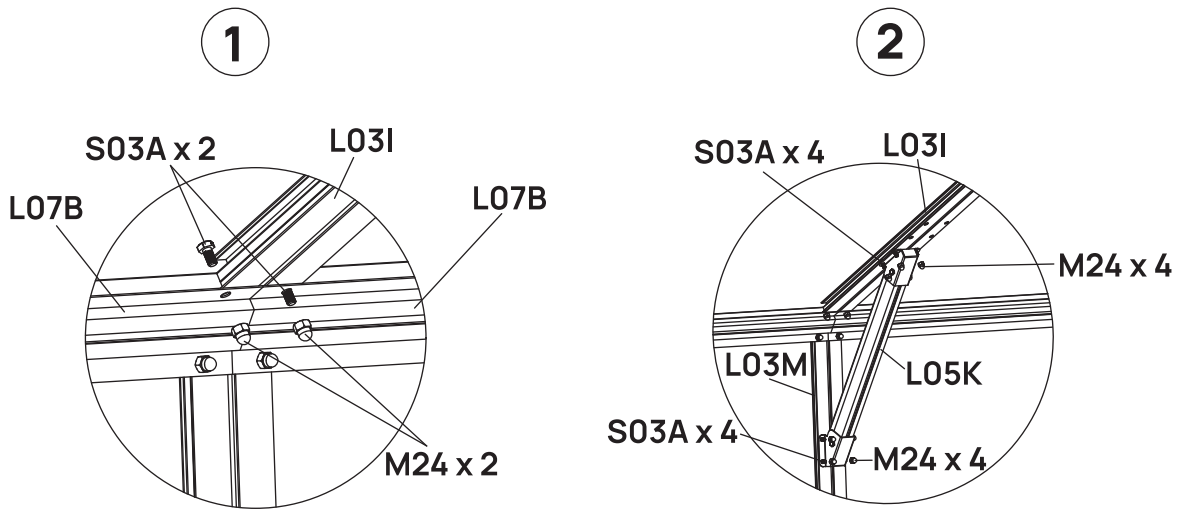
BOX	PART	NO	QTY
ALBOX-3		L05K	2
ALBOX-3		D467	4
Pre-installed		S01A M6X12	8



STEP
07





Attach the roof rafter and support braces to the vertical frames as shown.

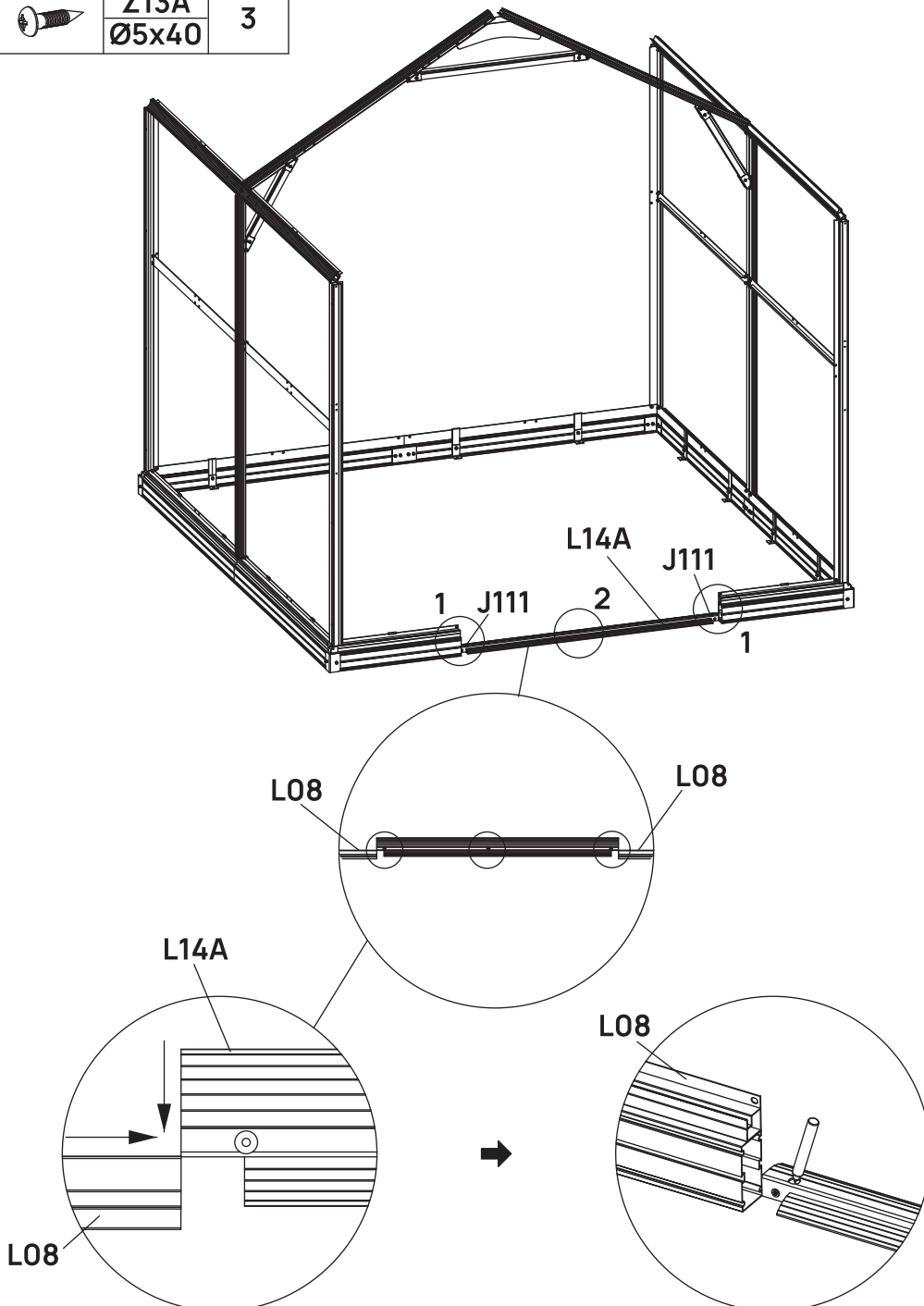
BOX	PART	NO	QTY
ALBOX-3		S03A M6X10	20
ALBOX-3		M24 M6	20



STEP
08







Align the L14A threshold piece with the base frame as shown in the diagram. Make a mark through each of the three holes, leave them unsecured until the L03 door frames are installed.

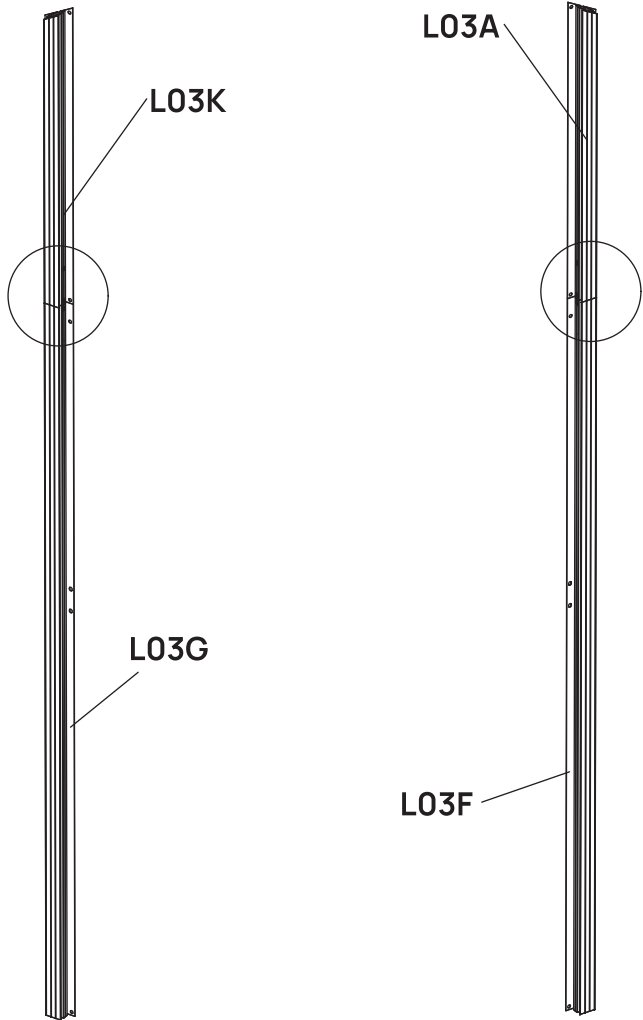
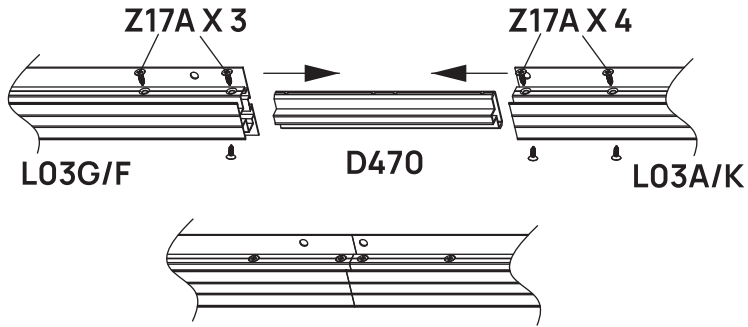
BOX	PART	NO	QTY
ALBOX-2		L14A	1
ALBOX-3		J111	2
ALBOX-3		J129	3
ALBOX-3		Z13A Ø5x40	3



STEP
09

Assemble L03 door frame pieces as shown, using D470 connectors and Z17A screws. Use only one Z17A screw on the inner side of L03G and L03F as shown.

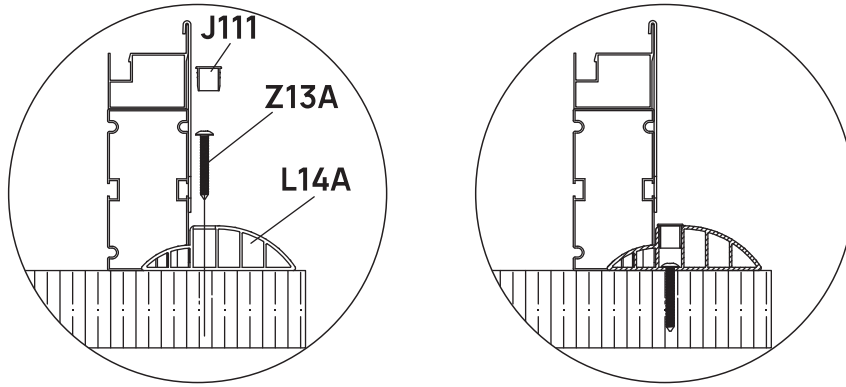
BOX	PART	NO	QTY
ALBOX-1		L03G	1
ALBOX-1		L03F	1
ALBOX-3		L03A	1
ALBOX-3		L03K	1
ALBOX-3		D470	2
ALBOX-3		Z17A M4.8X16	14



STEP
10

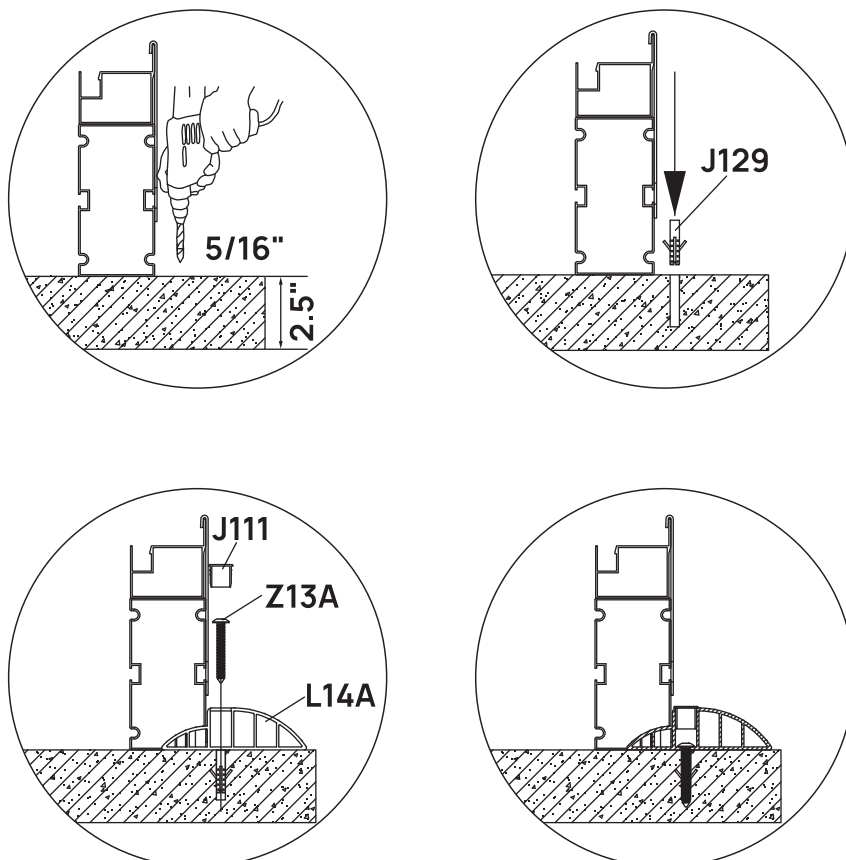
Secure the threshold at the marked holes, using appropriate anchoring methods based on the installation surface as follow.

a. For wood surfaces, use Z13A screws to affix the threshold directly to the ground.



b. For cement surfaces, remove the threshold piece, drill pilot holes at 2.5" depth with a 5/16" drill bit, insert J129 expansion anchors into the holes, then use Z13A screws to affix threshold back to the ground.

c. Finally use J111 caps to seal the holes.

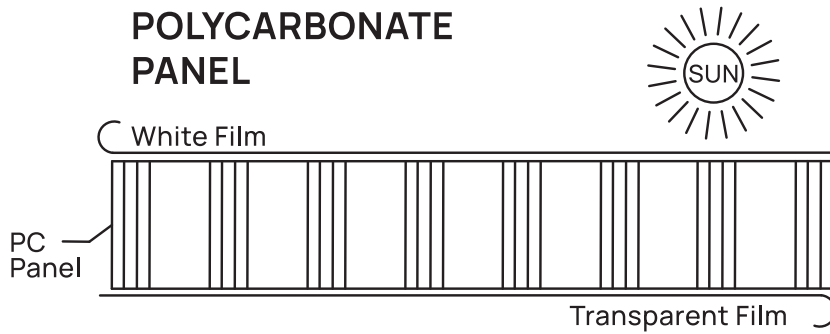


Note: The middle hole is not equipped with J111.

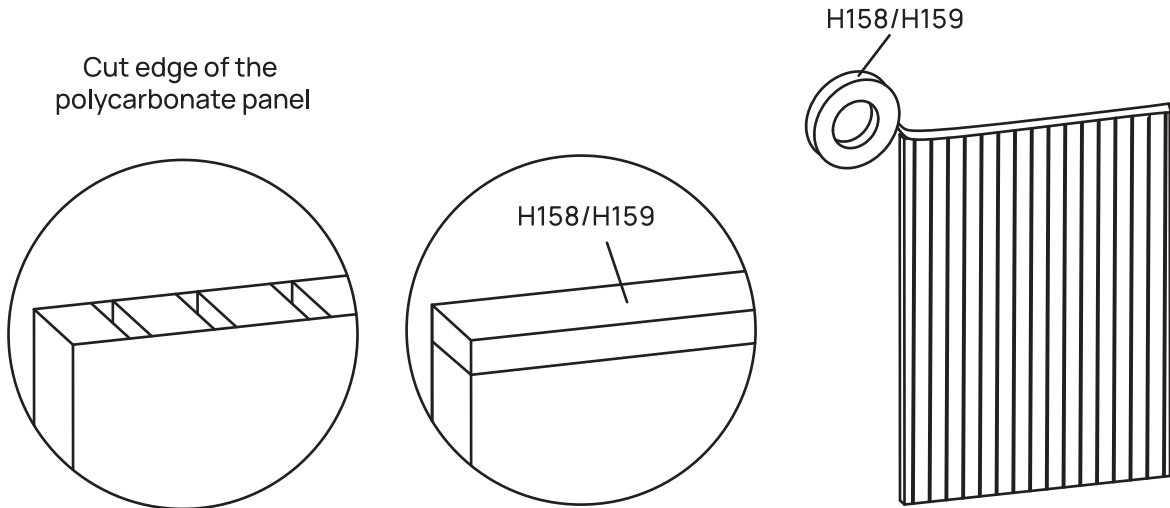
STEP
11

For PC panels

Remove the clear film prior to assembly. The white film indicates the UV-Protected side of the panels. Peel back the white film to expose only the edges (until the panels are in place) to ensure that the UV-Protected side is facing outwards in final assembly.



Cover the two cut edges of the PC panels with the provided tape before installation to seal the channels & prevent moisture from getting trapped inside.

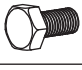


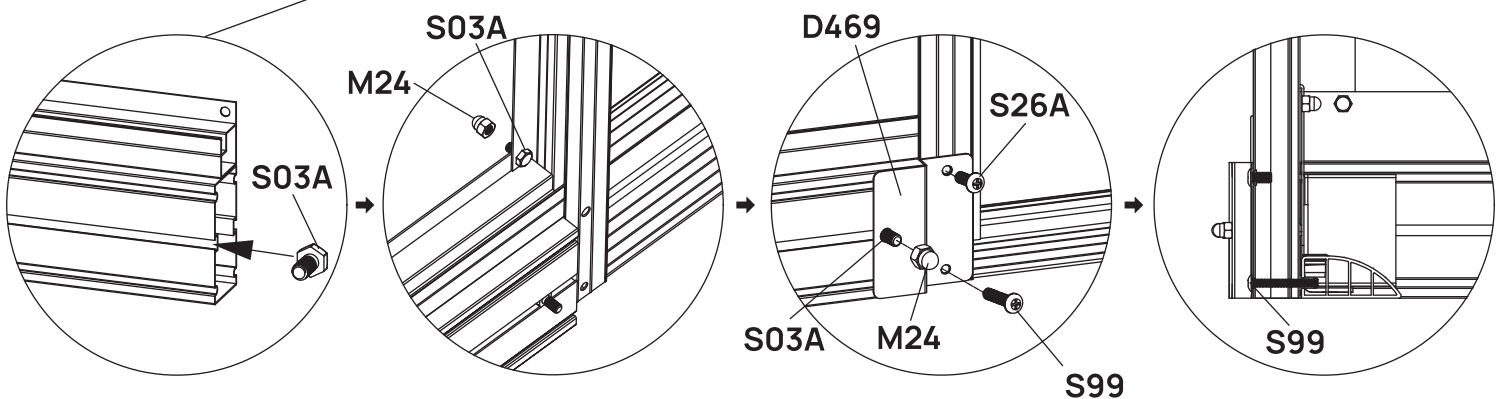
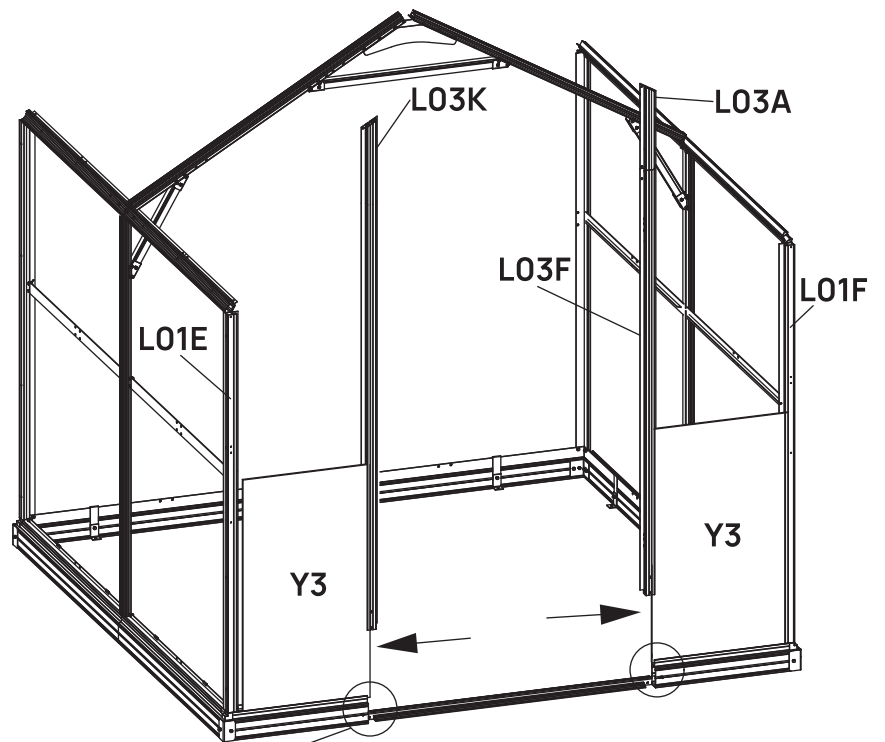
For Glass panels

- H158/H159 Tape is not required.
- Handle with care to avoid breakage.
- Watch out for sharp corners and edges.
- Use glass suction cups (not provided) for safe handling.
- Do not apply excessive force or strike the glass during installation.

STEP
12

Insert Y3 panels into the grooves of L01E/F and into the base frame on both sides, then install the L03 pieces as shown.

BOX	PART	NO	QTY
PCBOX-1 GLBOX-1		Y3	2
ALBOX-3		D469	2
ALBOX-3		S03A M6X10	4
ALBOX-3		M24 M6	4
		S26A M5X12	2
ALBOX-3		S99 M5X45	2
PCBOX-1 GLBOX-1		H158 H159	1


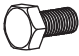



Slide one S03A in the groove of the foundation piece in the front as shown. Attach the L03 door frame to the base and foundation, secure it with the mounting plate D469, using specific bolts as shown.

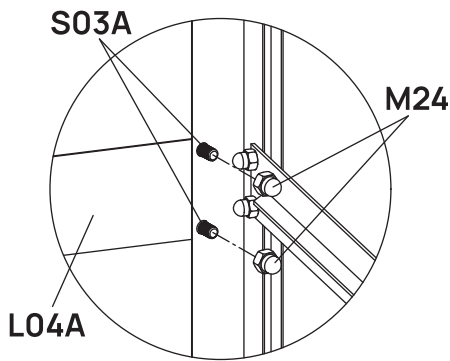
Note: S26A is pre-installed.

STEP
13

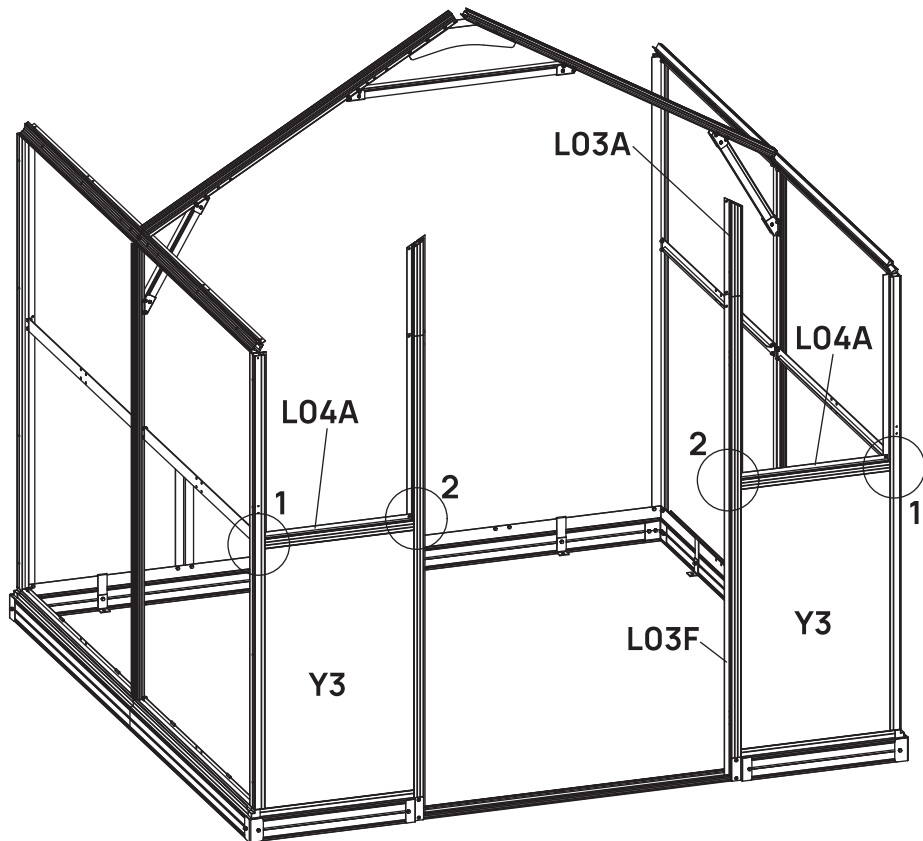
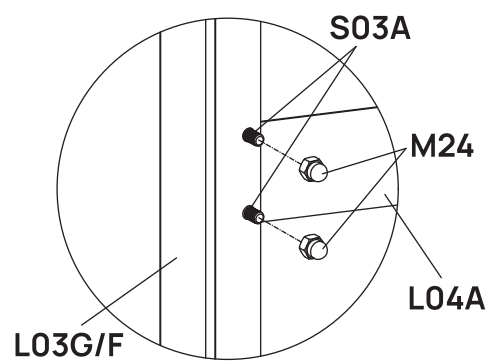
Assemble L04A connecting frames as shown.

BOX	PART	NO	QTY
ALBOX-3		L04A	2
ALBOX-3		S03A M6X10	8
ALBOX-3		M24 M6	8

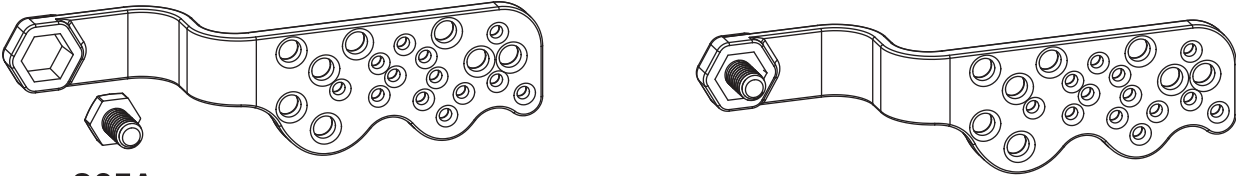
1



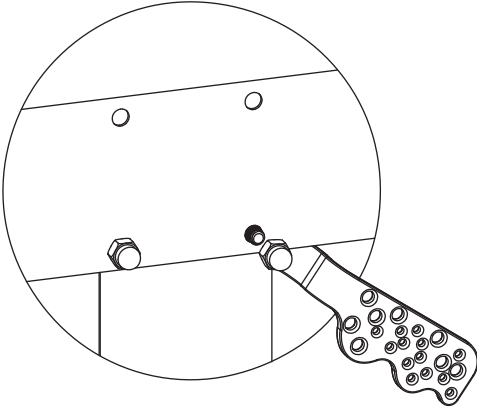
2



Note: For easier installation, use the provided hex tool.
Position the head of S03A bolt in the tool, then use it to insert the bolt into the frames and secure with M24 nut.
Repeat this process for all hard-to-access locations.



S03A



vegogarden.com





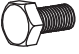


STEP
14

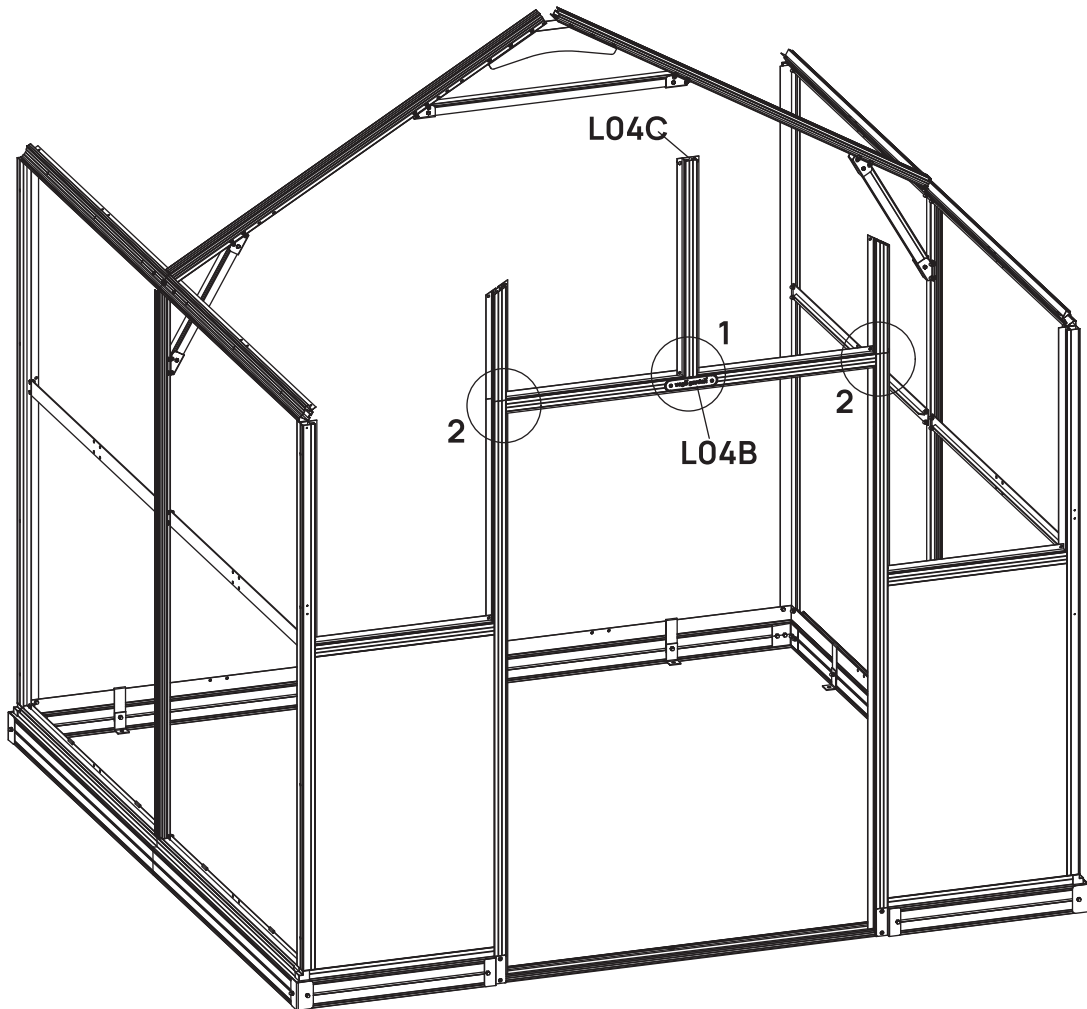
Assemble L04B and L04C frames as shown.

Note: Different hardware is required for top and bottom holes on L03G/F.

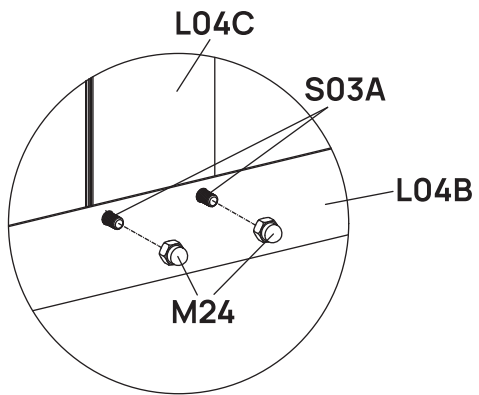
Top holes: S03A, M24

Bottom holes: S27A, H137, M31

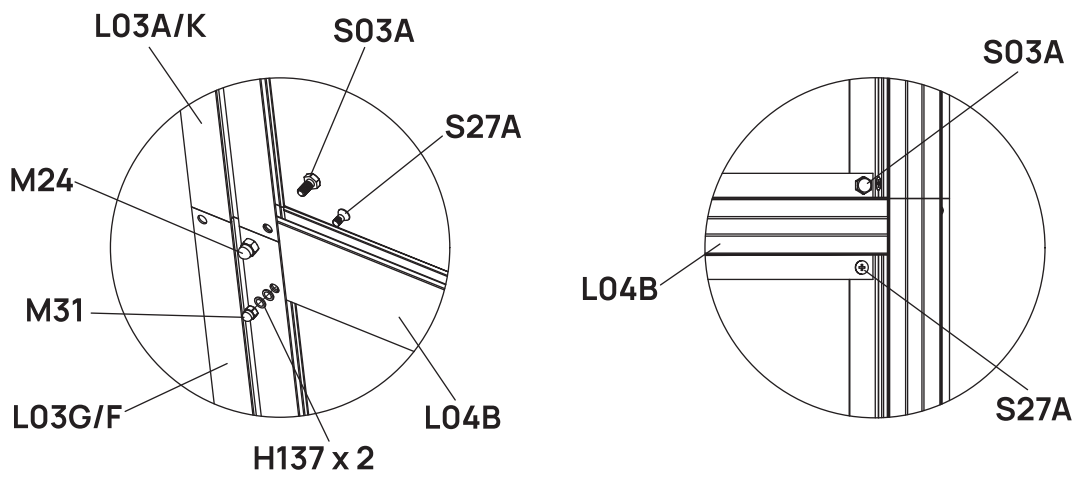
BOX	PART	NO	QTY
ALBOX-2		L04B	1
ALBOX-3		L04C	1
ALBOX-3		S27A M5X12	2
ALBOX-3		M31 M5	2
ALBOX-3		S03A M6X10	4
ALBOX-3		M24 M6	4
ALBOX-3		H137	4



1



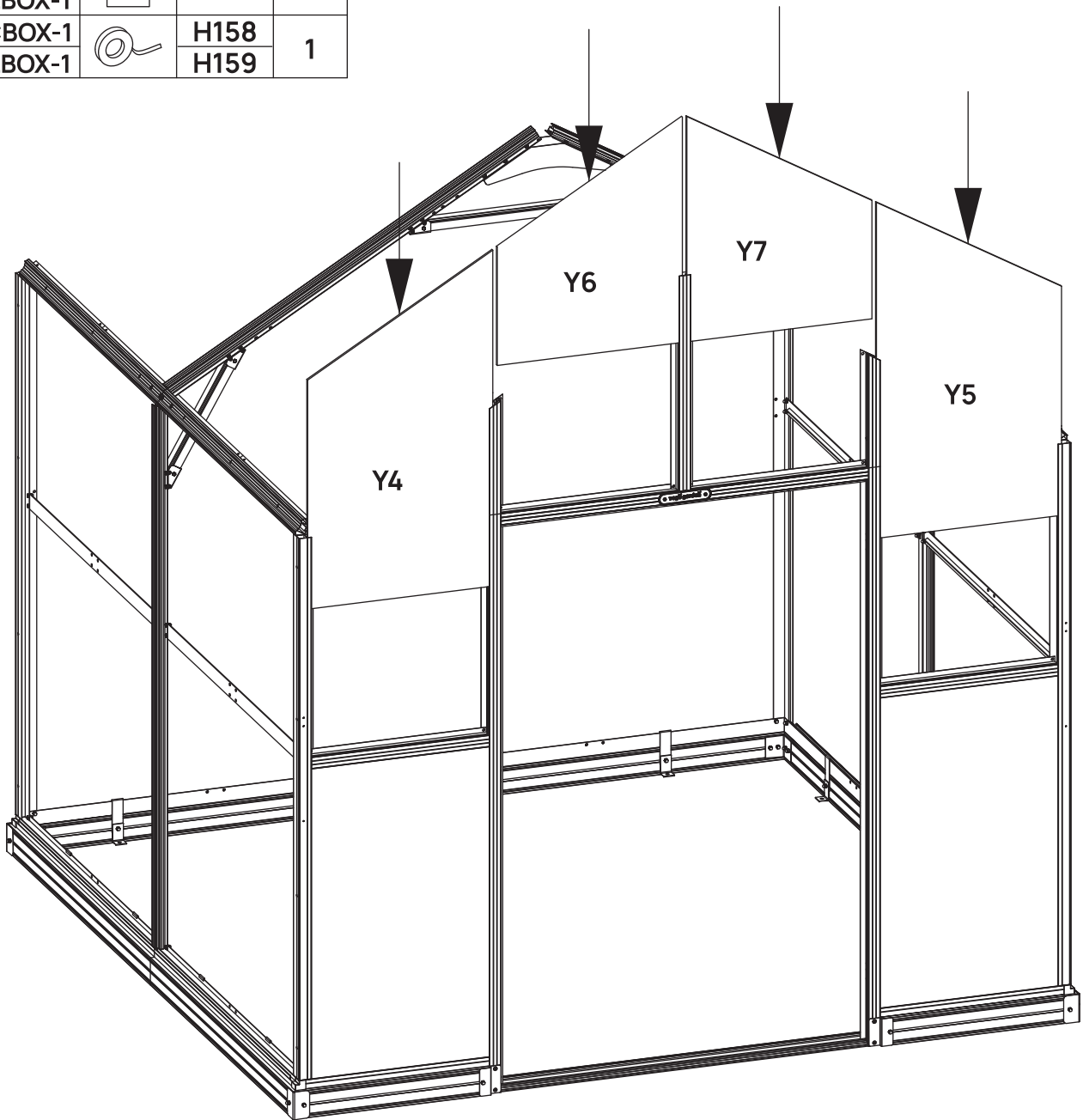
2



STEP
15



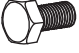

Insert the front gable panels as shown.

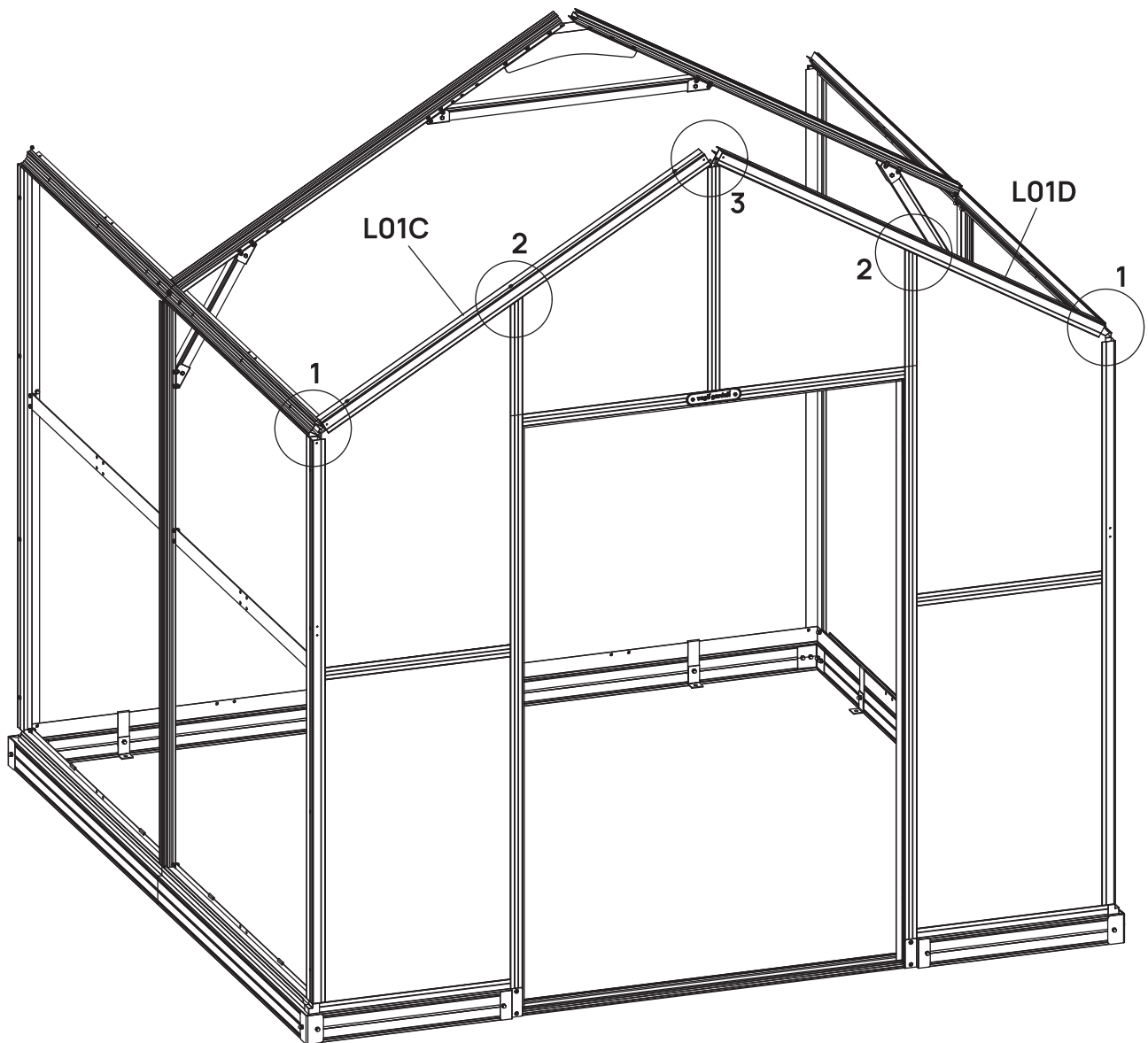
BOX	PART	NO	QTY
PCBOX-1		Y4	1
GLBOX-1			
PCBOX-1		Y5	1
GLBOX-1			
PCBOX-1		Y6	1
GLBOX-1			
PCBOX-1		Y7	1
GLBOX-1			
PCBOX-1		H158	1
GLBOX-1		H159	



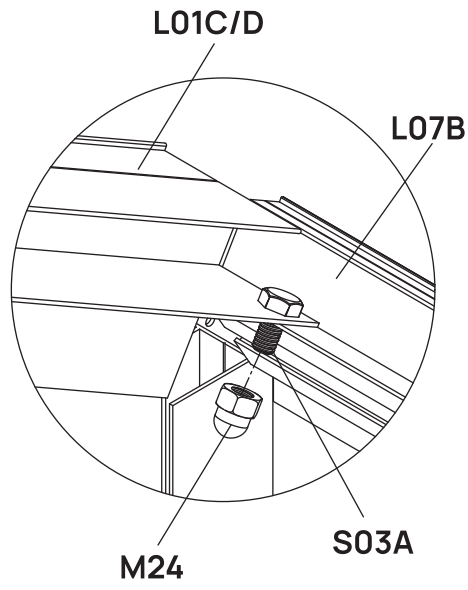
STEP
16

Assemble front gable frames as shown.

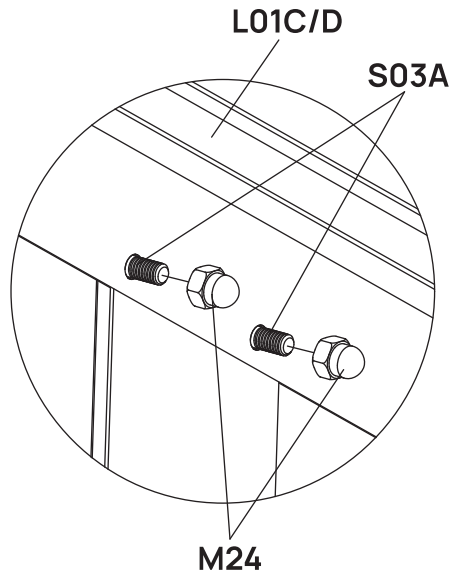
BOX	PART	NO	QTY
ALBOX-2		L01C	1
ALBOX-2		L01D	1
ALBOX-3		S03A M6X10	8
ALBOX-3		M24 M6	8



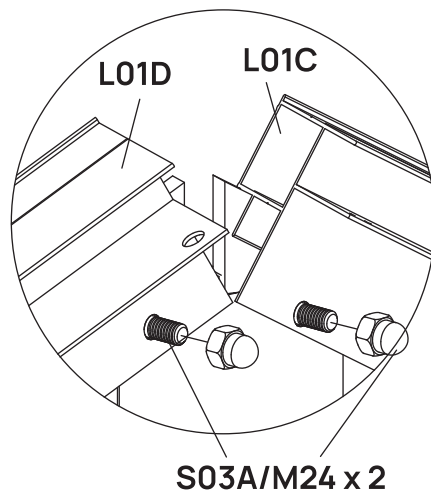
1



2











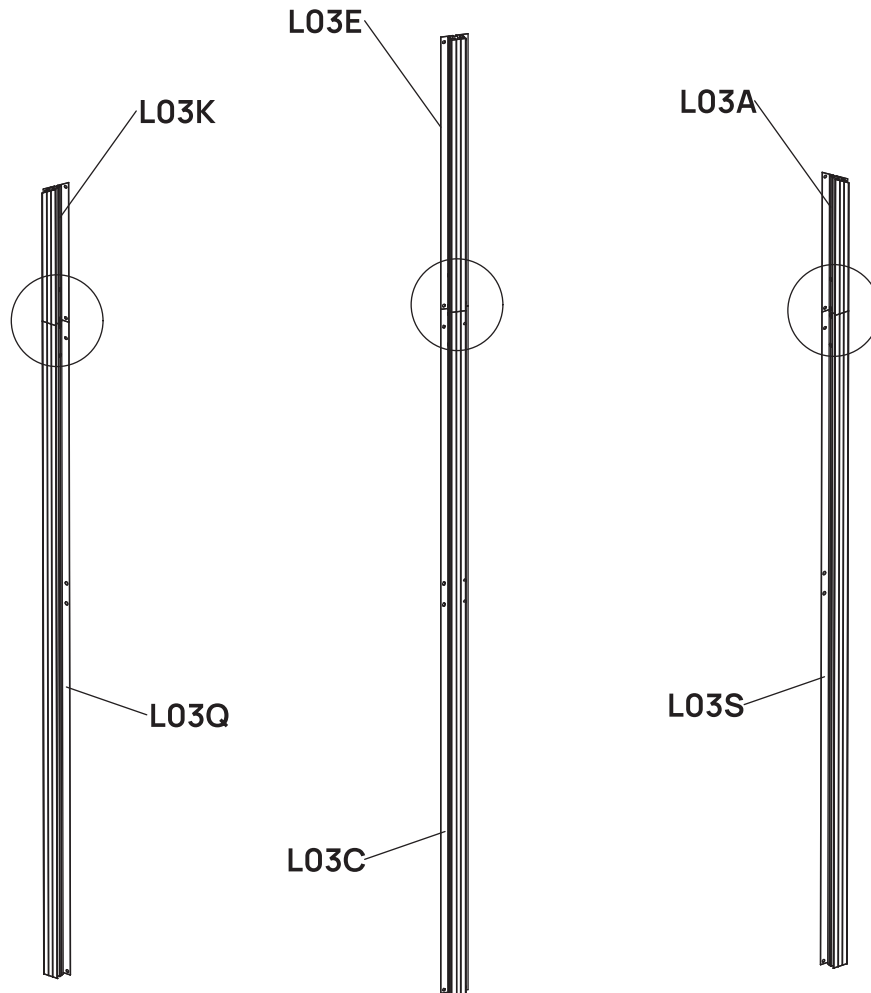
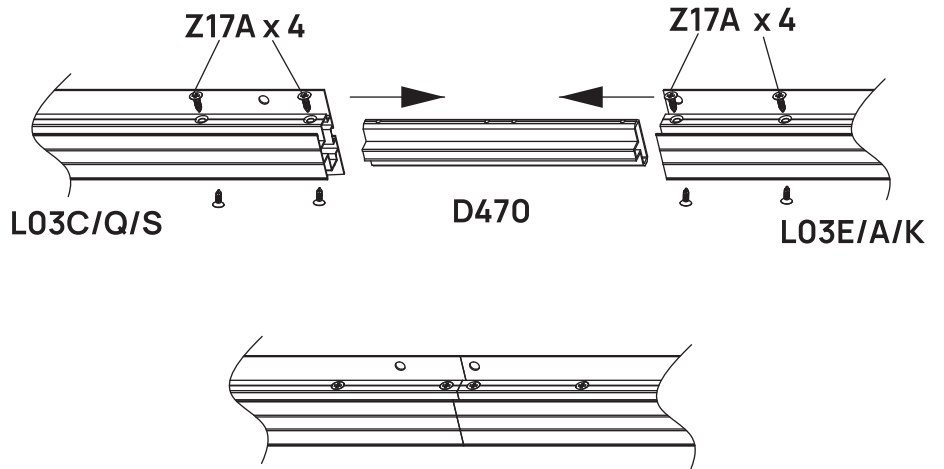
3



STEP
17




Assemble 3 additional L03 vertical frames as shown.

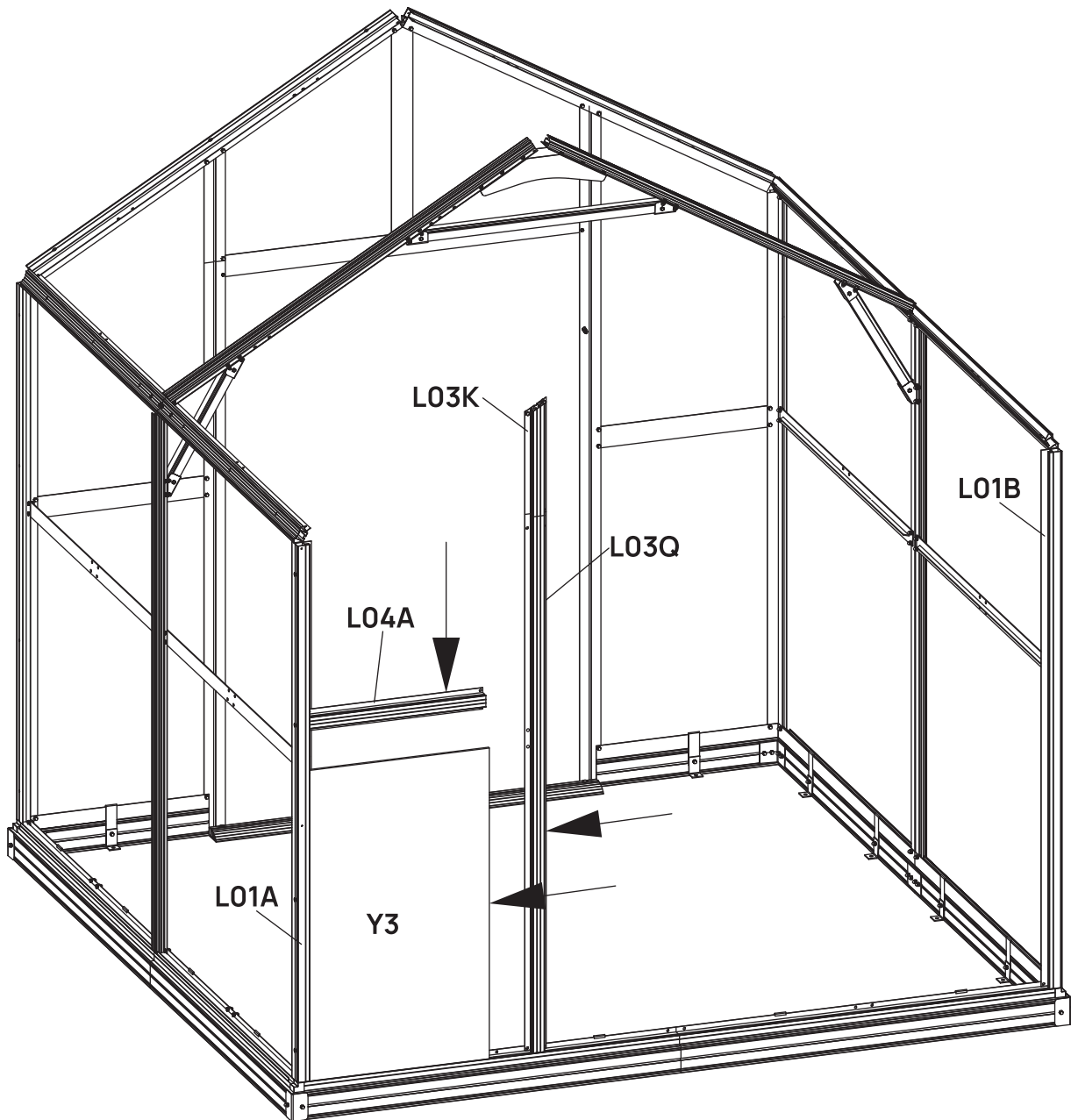
BOX	PART	NO	QTY
ALBOX-3		L03A	1
ALBOX-3		L03K	1
ALBOX-1		L03C	1
ALBOX-1		L03Q	1
ALBOX-1		L03S	1
ALBOX-3		L03E	1
ALBOX-3		D470	3
ALBOX-3		Z17A M4.8X16	24



STEP
18


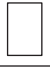


Insert a Y3 panel into the groove of L01A and into the base frame. Then install L03 and L04 pieces in place as shown.

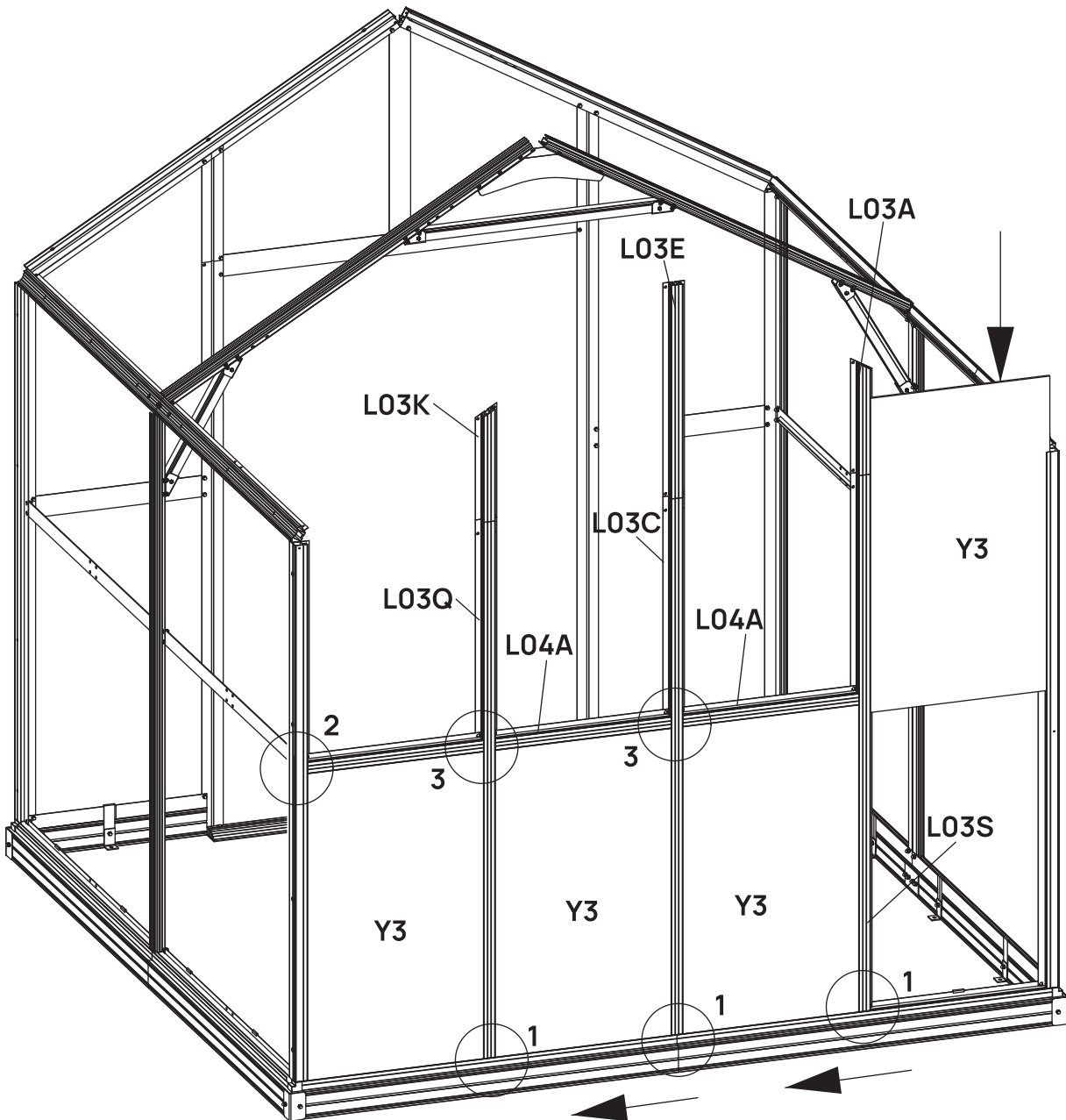
BOX	PART	NO	QTY
ALBOX-3		L04A	1
PCBOX-1		Y3	1
GLBOX-1			
PCBOX-1		H158	1
GLBOX-1		H159	

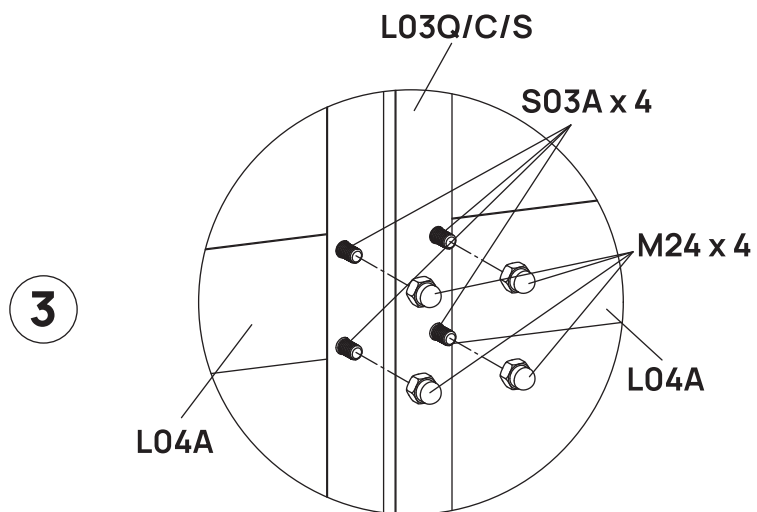
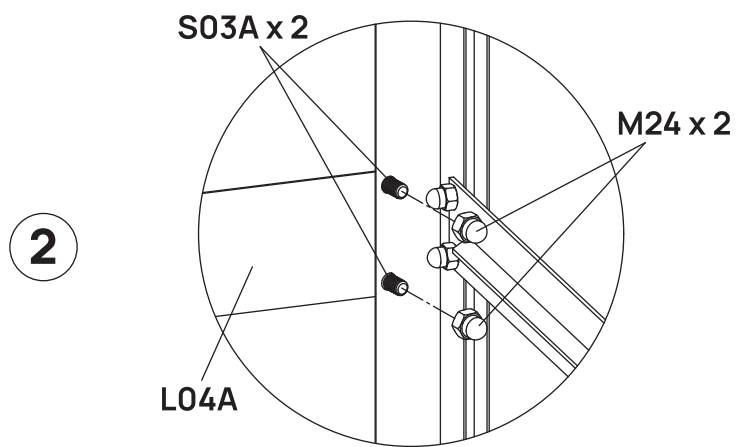
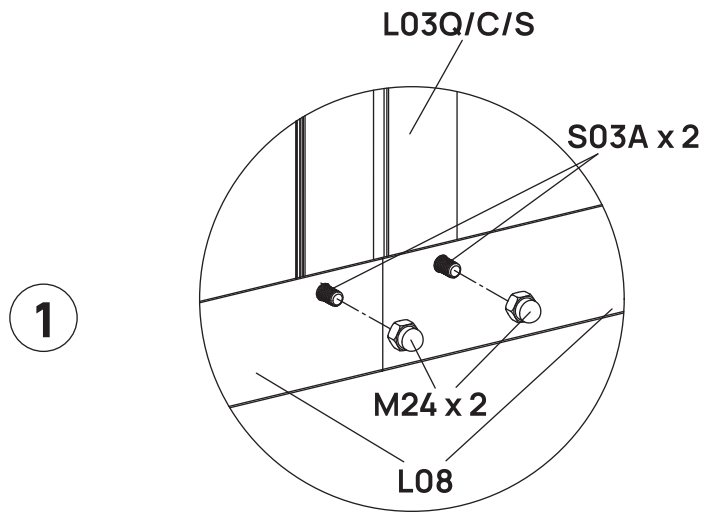


STEP
19

Repeat and install the remaining vertical frames, Y3 panels and horizontal frames as shown.





BOX	PART	NO	QTY
ALBOX-3		L04A	2
PCBOX-1		Y3	3
GLBOX-1			
ALBOX-3		S03A	16
		M6X10	
ALBOX-3		M24	16
		M6	

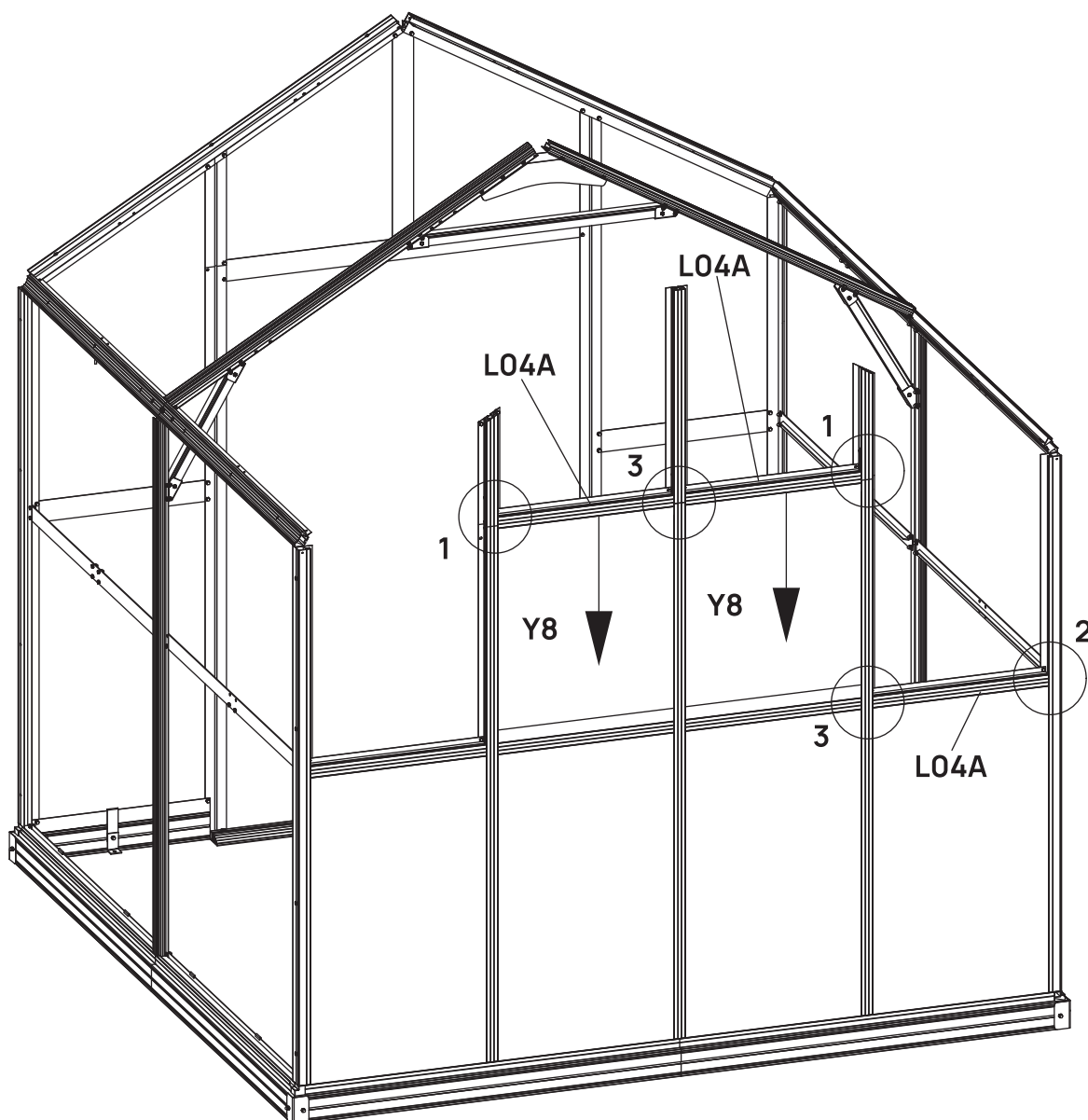


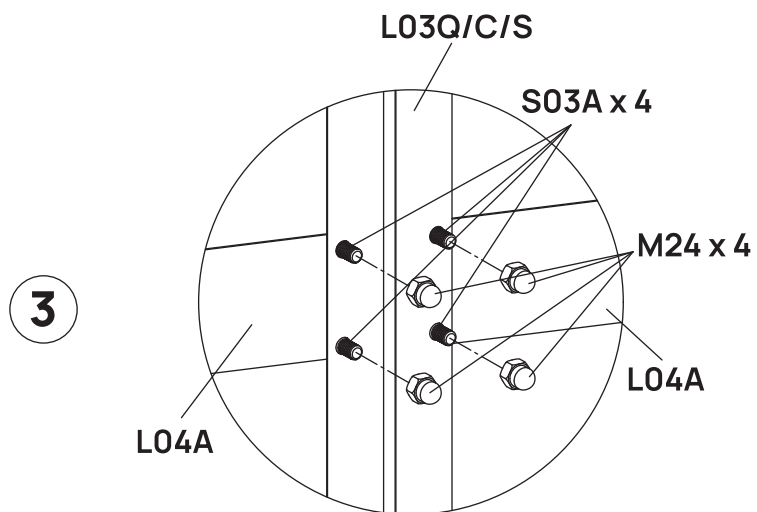
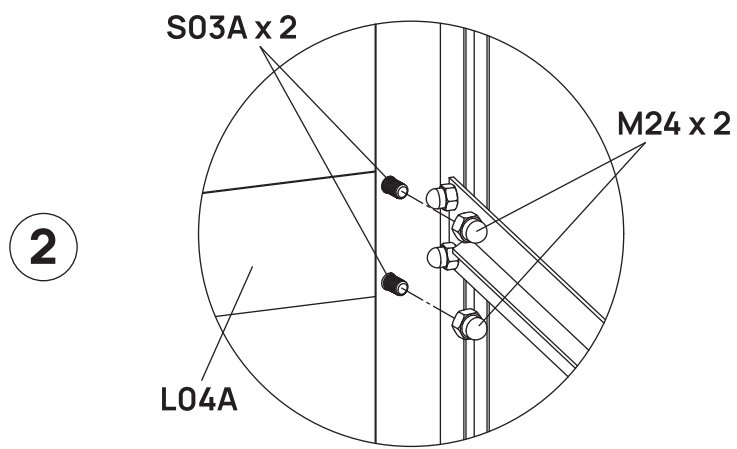
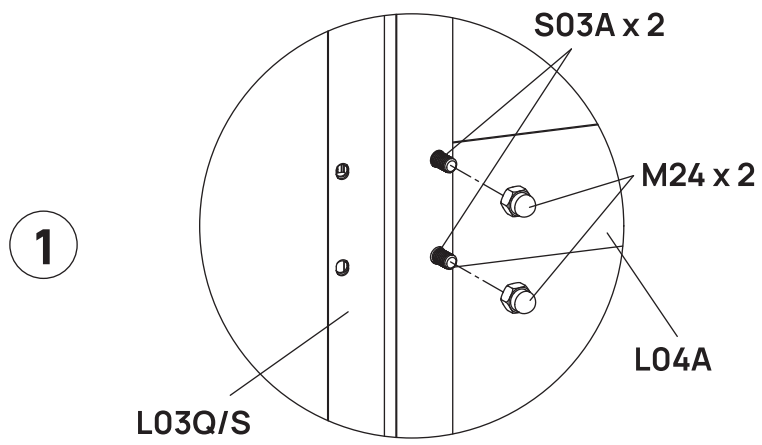


STEP
20

Insert Y8 panels and attach L04A frames as shown.

BOX	PART	NO	QTY
ALBOX-3		L04A	3
PCBOX-1		Y8	2
GLBOX-1			
ALBOX-3		S03A M6X10	14
ALBOX-3		M24	14
		M6	

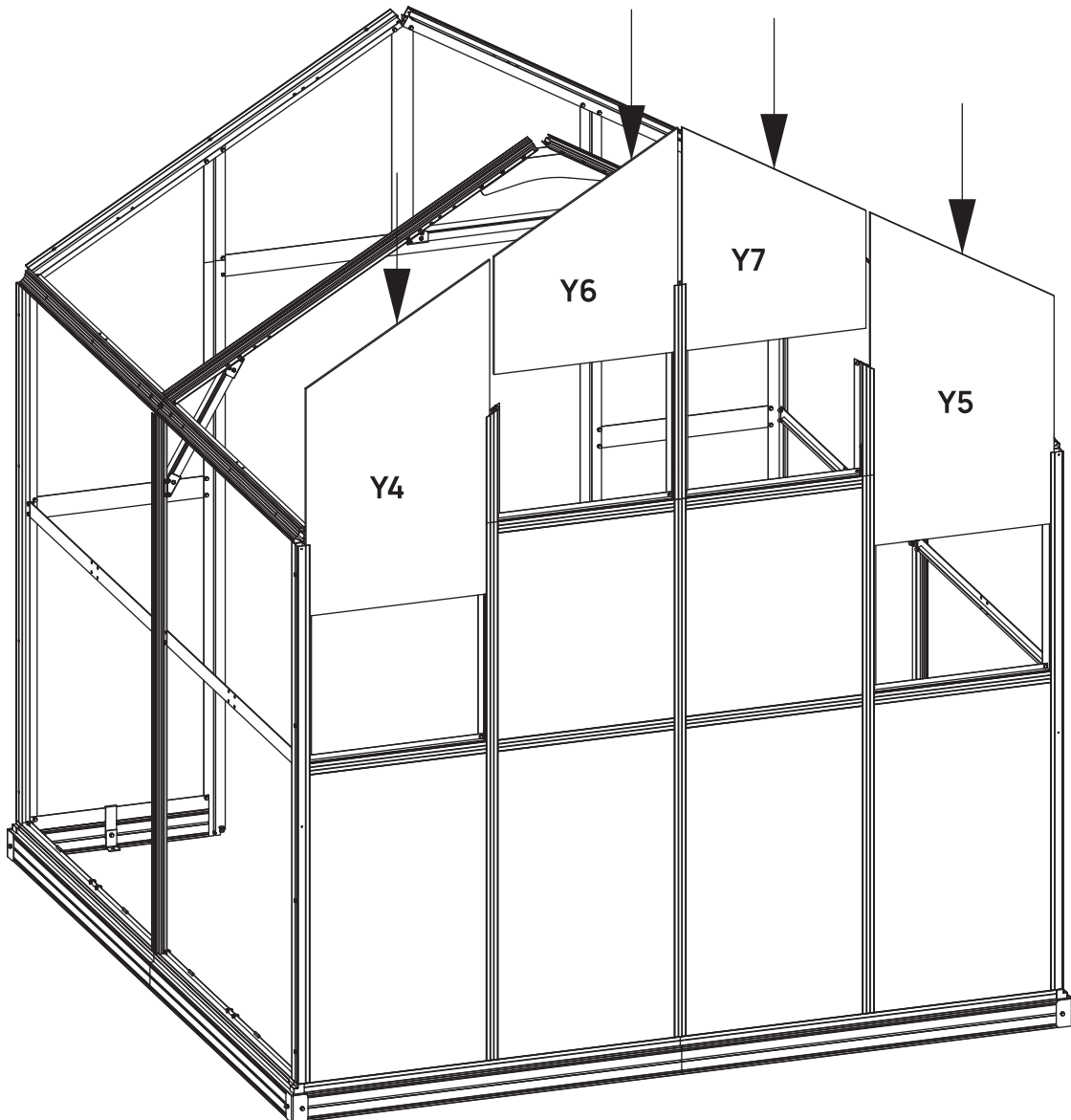




STEP
21



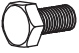

Assemble back gable frames as shown.

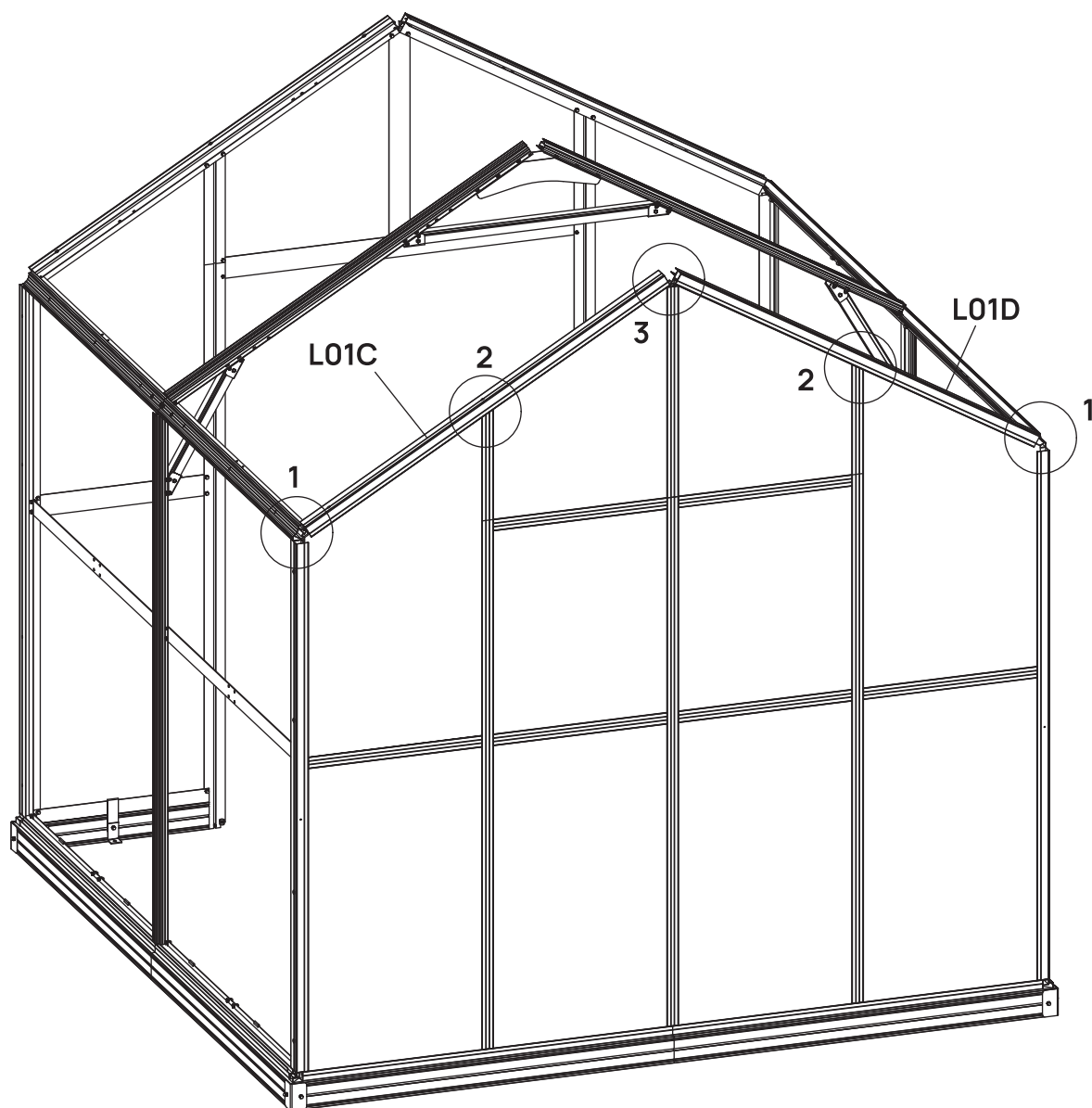
BOX	PART	NO	QTY
PCBOX-1		Y4	1
GLBOX-1			
PCBOX-1		Y5	1
GLBOX-1			
PCBOX-1		Y6	1
GLBOX-1			
PCBOX-1		Y7	1
GLBOX-1			
PCBOX-1		H158	1
GLBOX-1		H159	

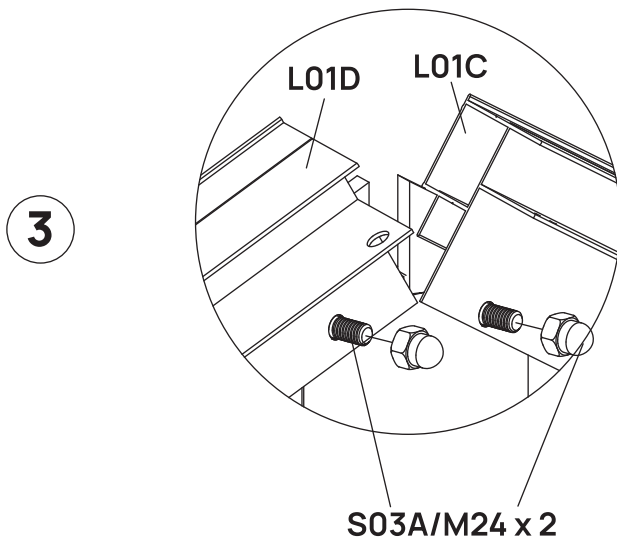
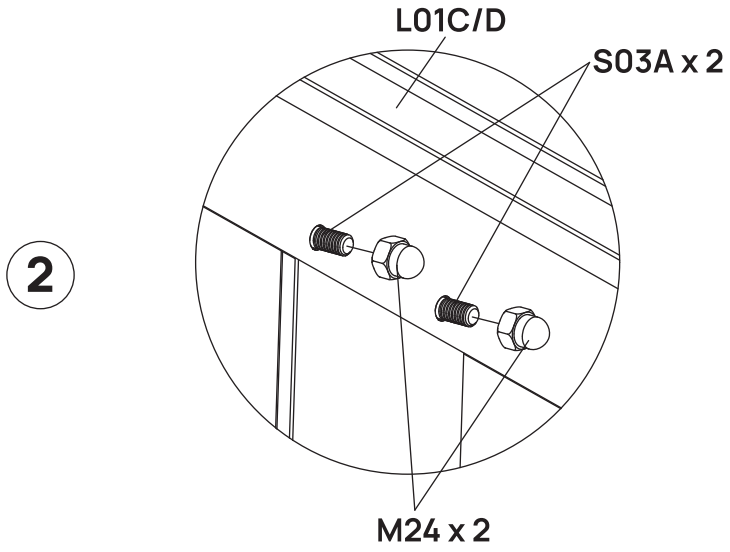
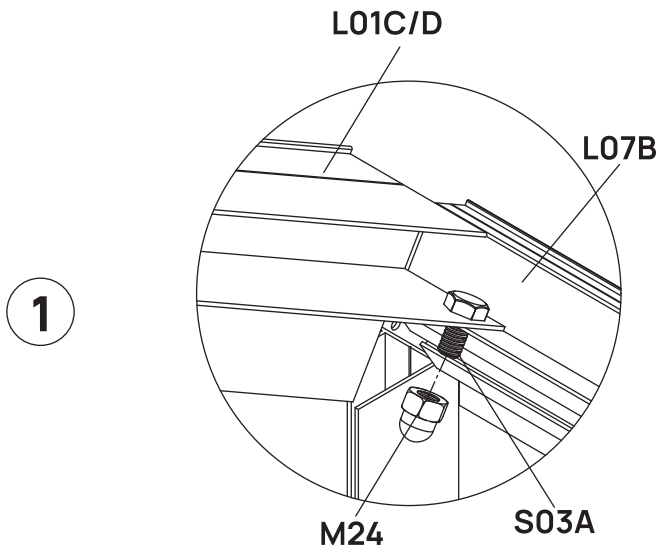


STEP
22

Assemble back gable frames as shown.


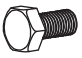

BOX	PART	NO	QTY
ALBOX-2		L01C	1
ALBOX-2		L01D	1
ALBOX-3		S03A M6X10	8
ALBOX-3		M24 M6	8

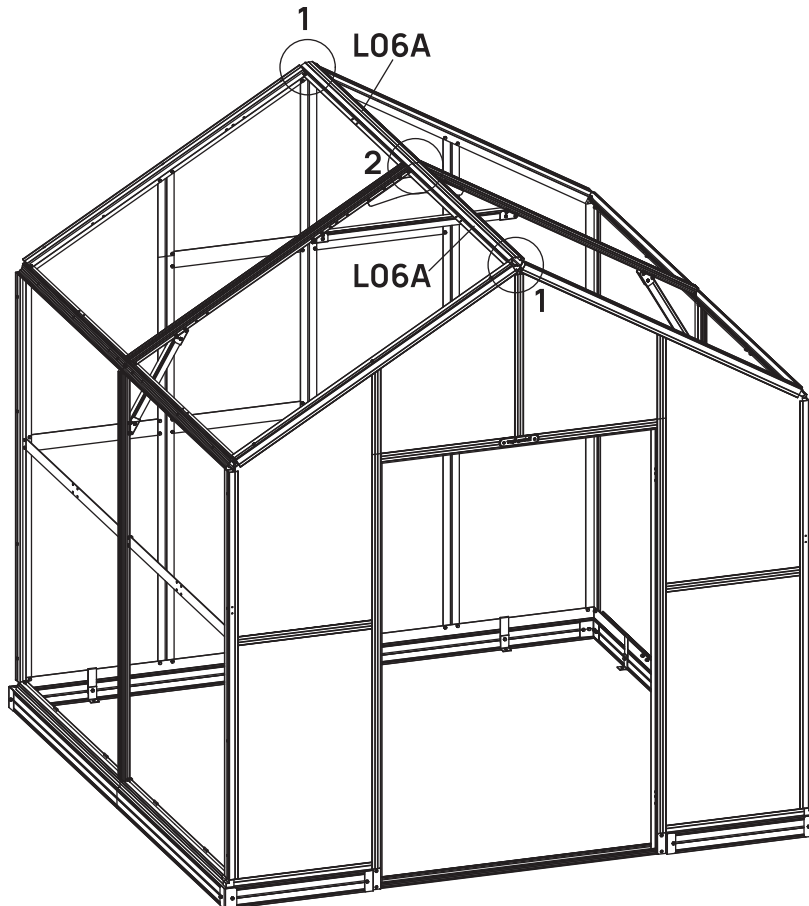
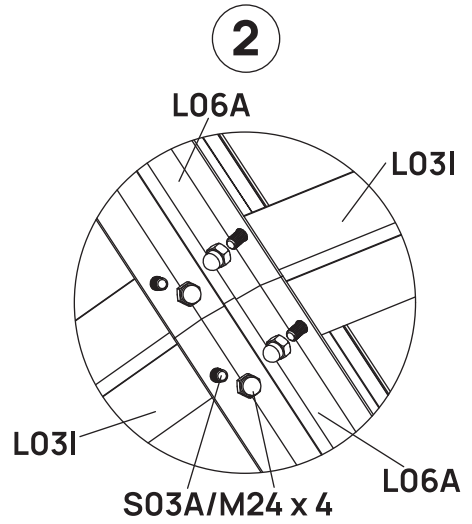
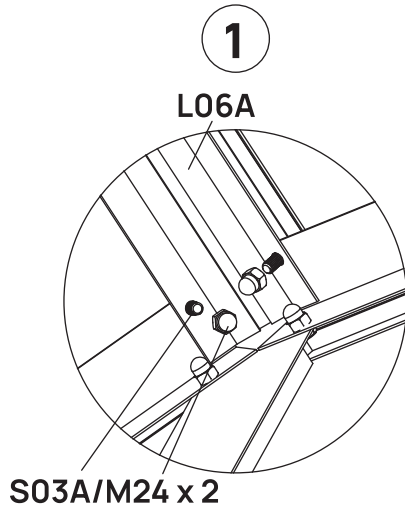
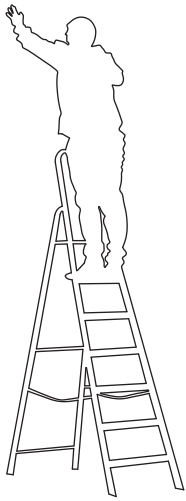




STEP
23



Assemble ridge frames on the roof rafters as shown.

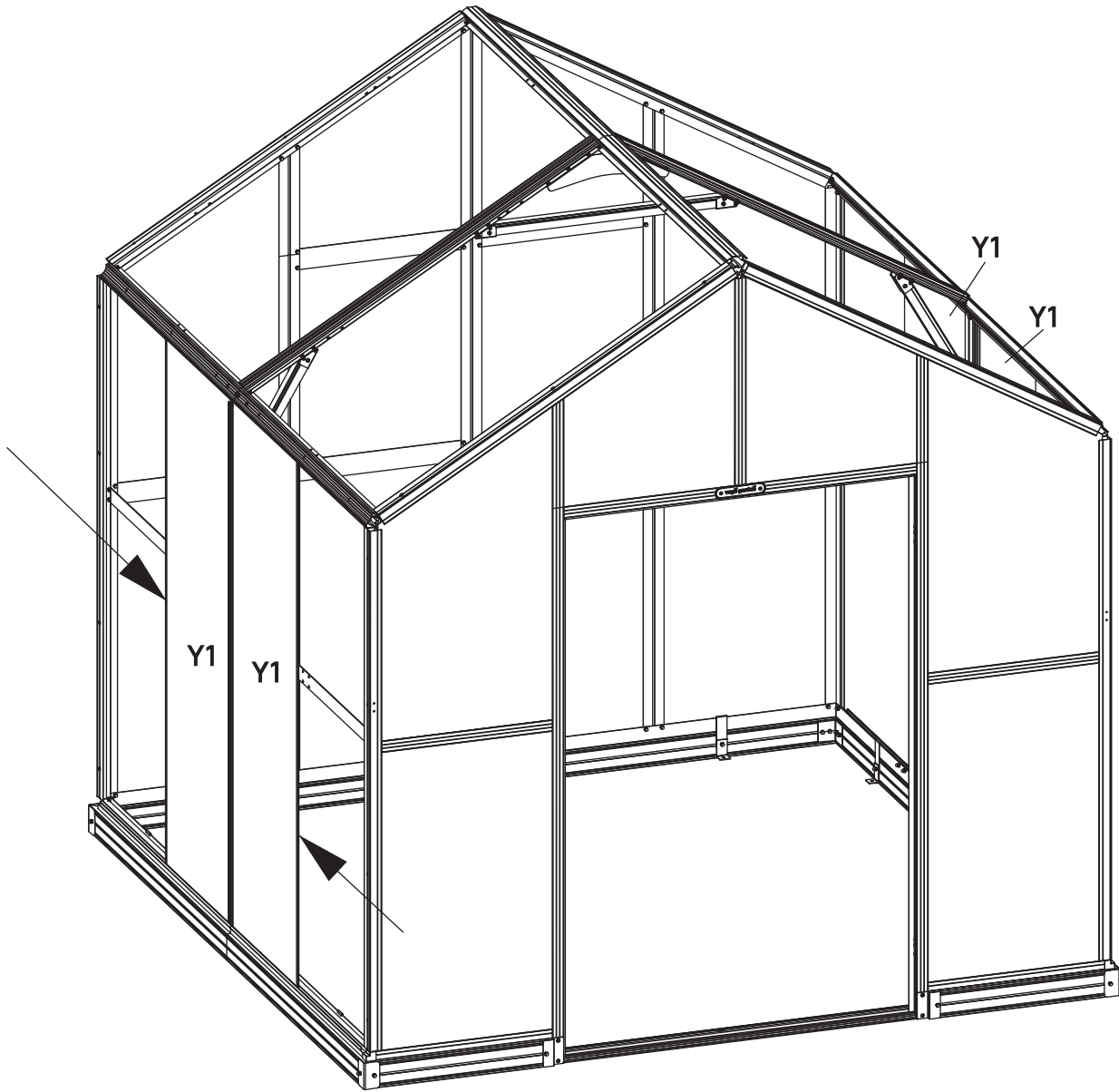
BOX	PART	NO	QTY
ALBOX-2		L06A	2
ALBOX-3		S03A M6X10	8
ALBOX-3		M24 M6	8



STEP
24




Slide Y1 panels in place as shown.

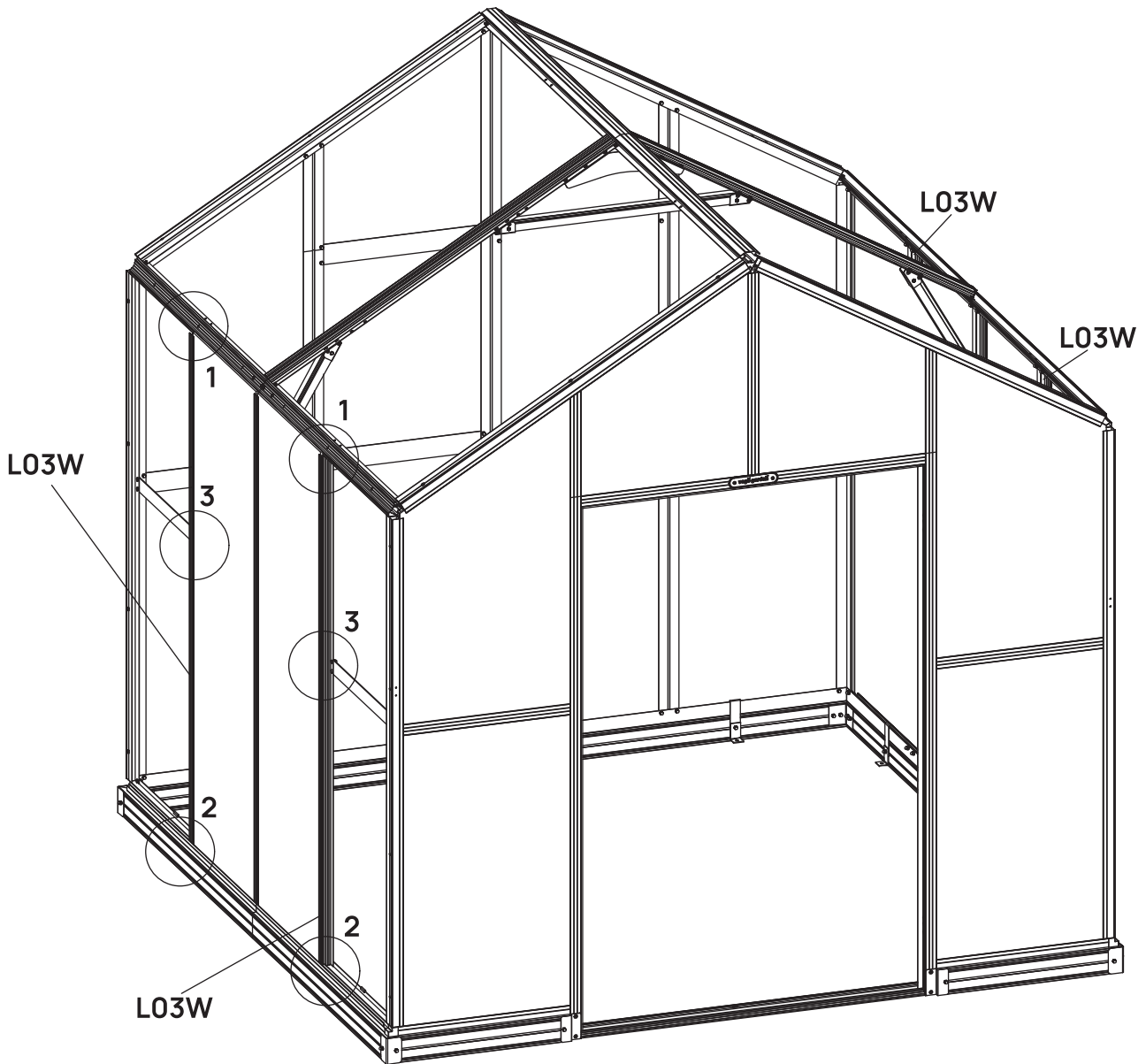
BOX	PART	NO	QTY
PCBOX-1		Y1	4
GLBOX-1			
PCBOX-1		H158	1
GLBOX-1		H159	



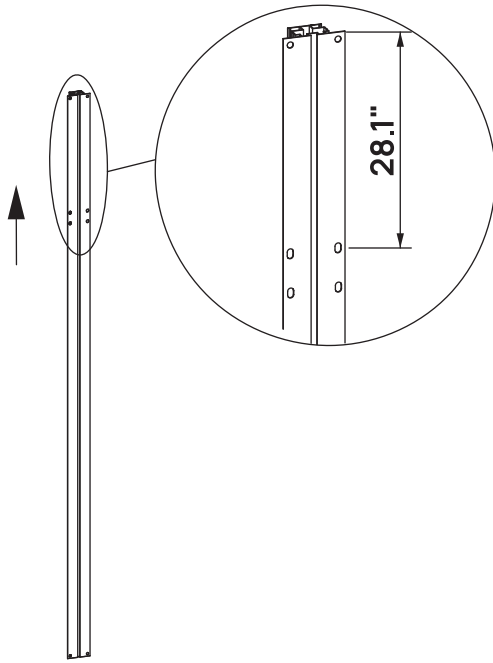
STEP
25

Assemble L03W vertical frames as shown, secure with S03A bolts and M24 nuts.

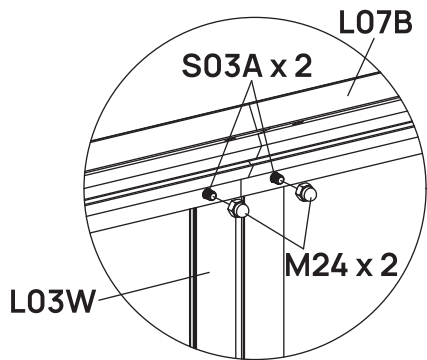
BOX	PART	NO	QTY
ALBOX-1		L03W	4
ALBOX-3		S03A M6X10	32
ALBOX-3		M24 M6	32



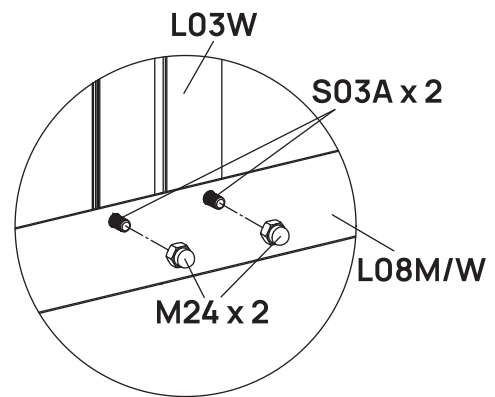
The ends of L03W with oval holes face upward.



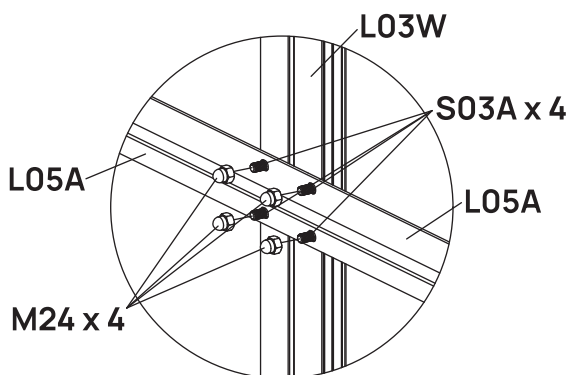
1



2




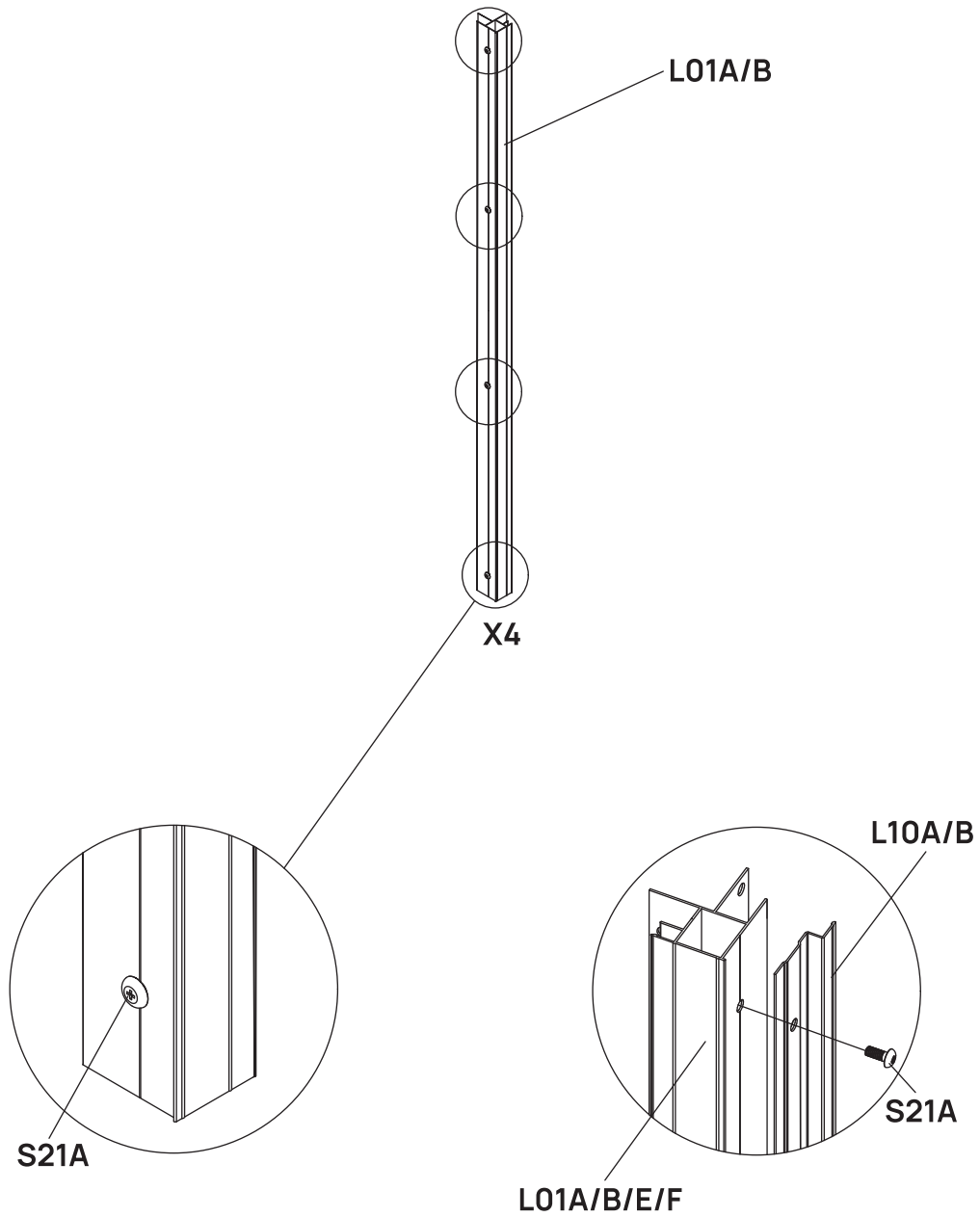
3



STEP
26




Remove the pre-installed S21A bolts from the four corner L01 frames.

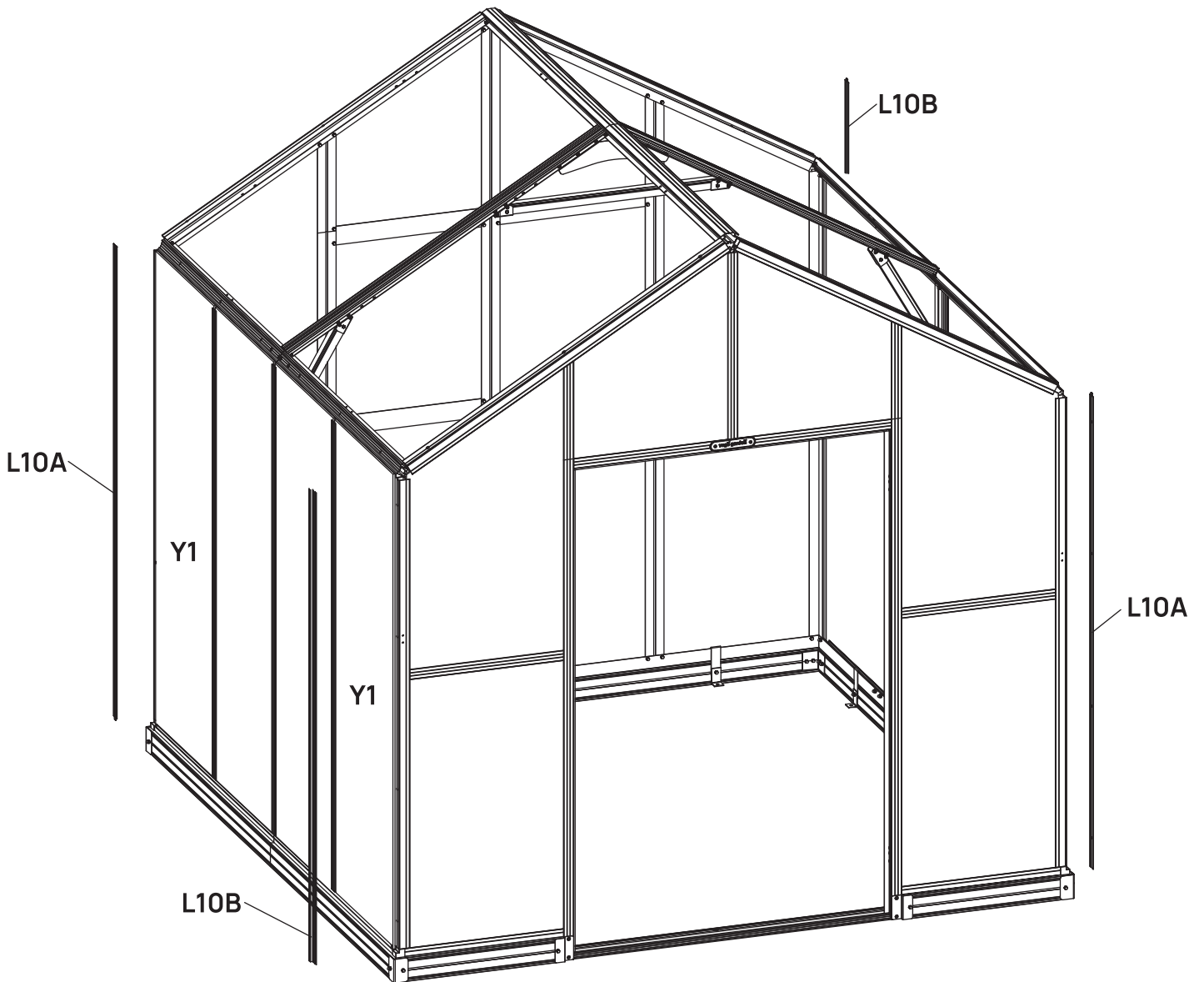
BOX	PART	NO	QTY
		S21A M5X12	16



STEP
27

Attach L10A/B corner cover frames onto L01 frames to secure the outermost PC panels as shown, using the removed S21A bolts.






BOX	PART	NO	QTY
PCBOX-1		Y1	4
GLBOX-1			
ALBOX-1		L10A	2
ALBOX-1		L10B	2

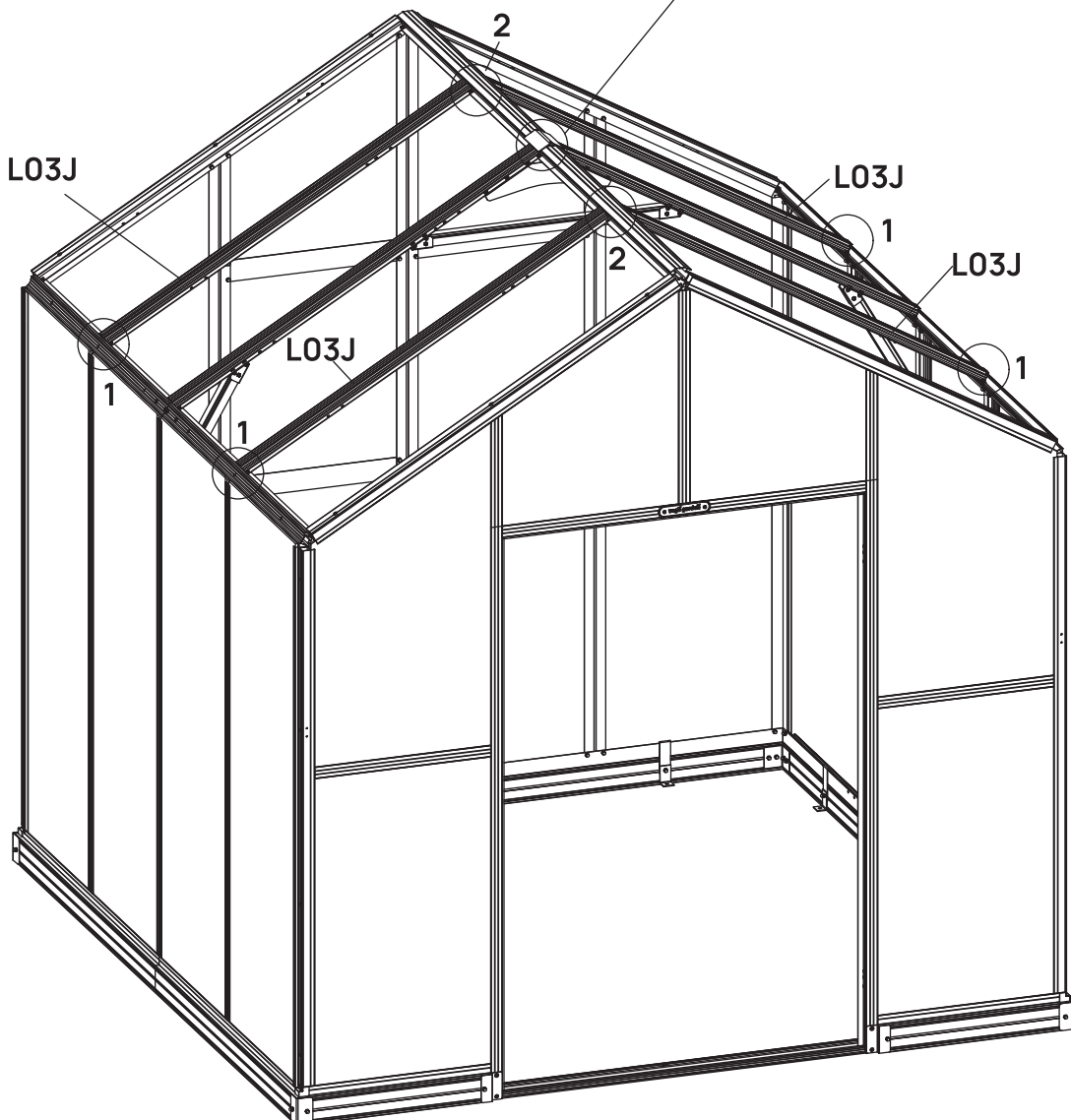
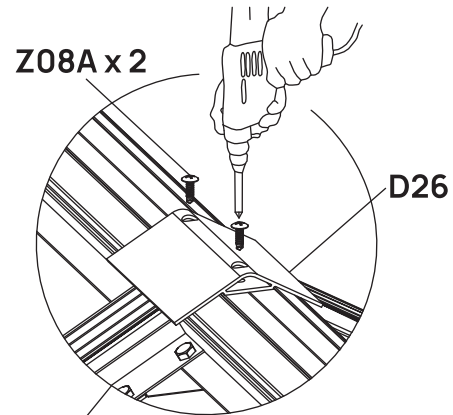


Roof Assembly

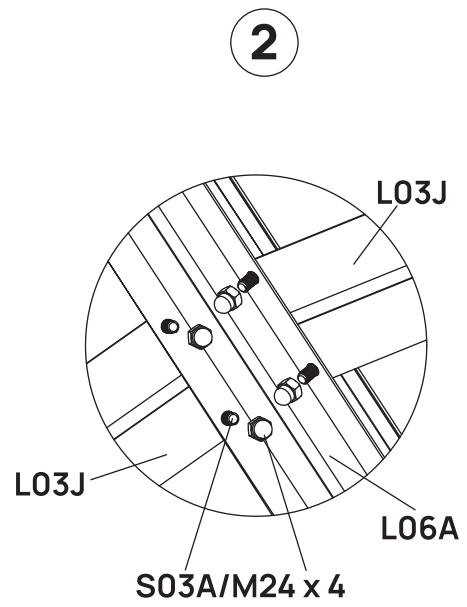
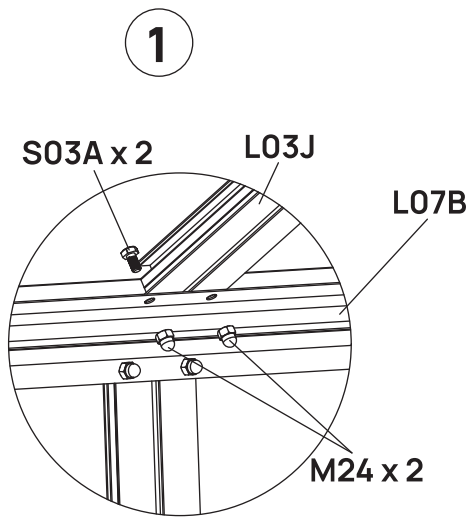
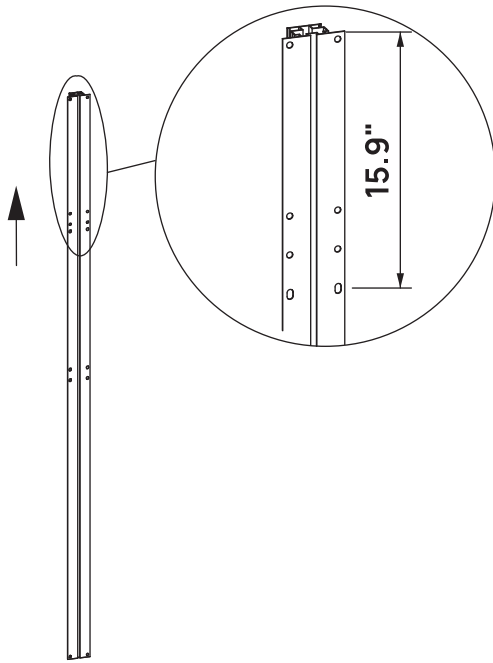
STEP 01

Attach the rest of roof rafters in place as shown. Secure the D26 ridge cap with Z08A screws to reinforce the ridge structure.

BOX	PART	NO	QTY
ALBOX-2		L03J	4
ALBOX-3		D26	1
ALBOX-3		S03A M6X10	16
ALBOX-3		M24 M6	16
ALBOX-3		Z08A Ø4.2x16	2


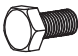



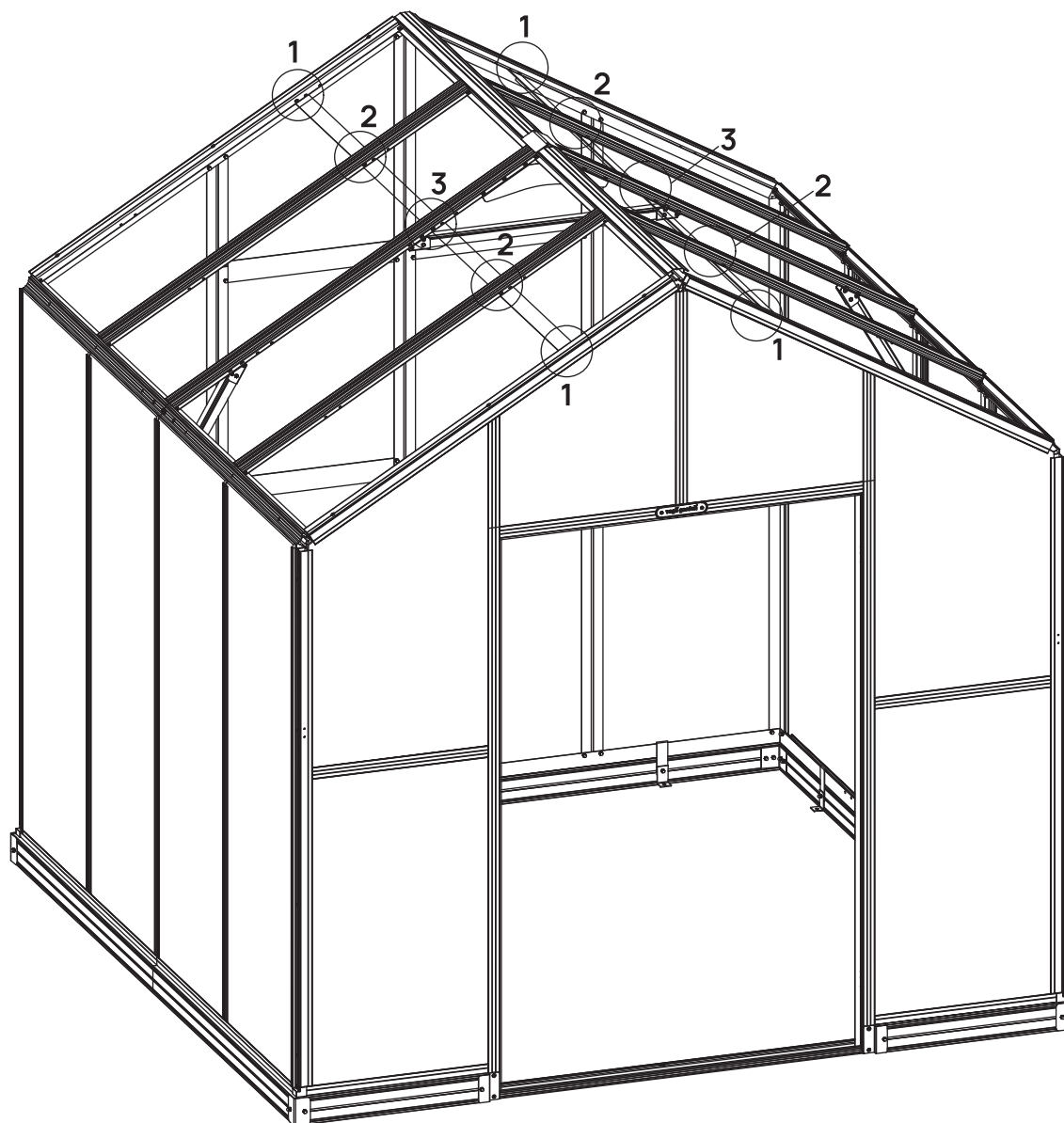
The ends of L03J with oval holes face upward.

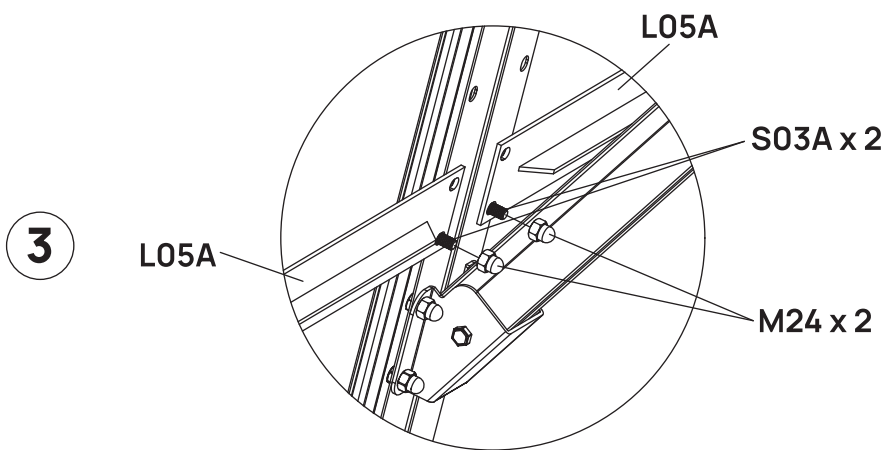
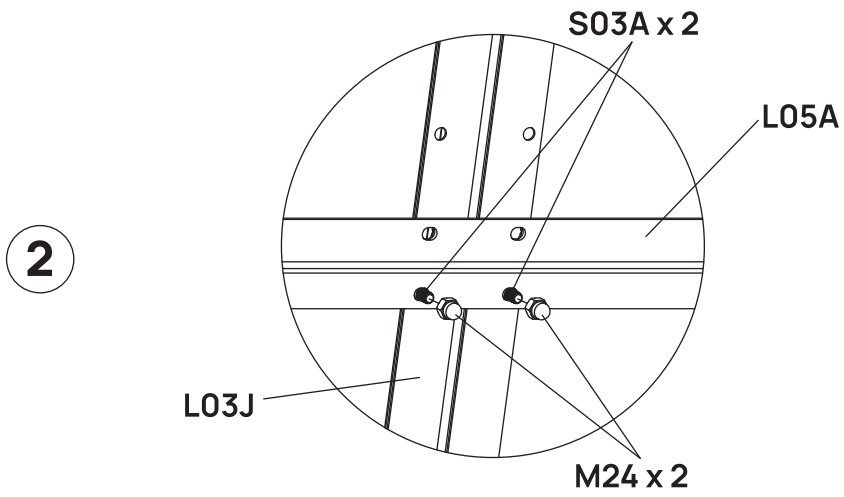
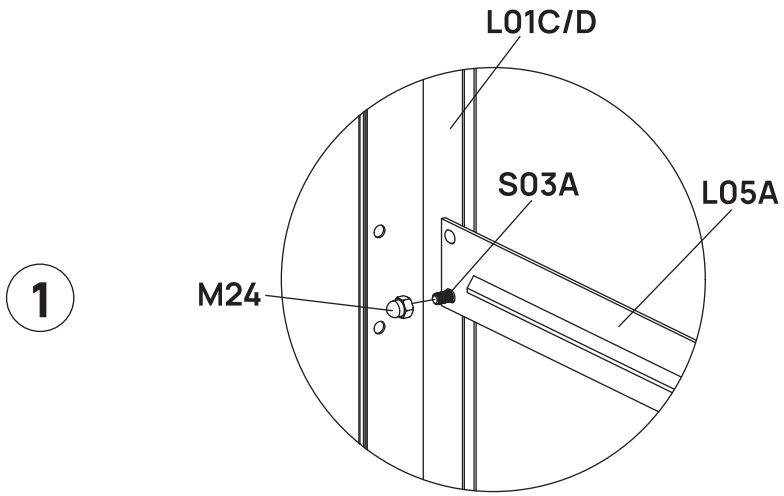


STEP
02

Assemble L05 roof connecting frames as shown, only securing the lower holes. The upper holes will be used for installing the vents in the following steps.

BOX	PART	NO	QTY
BOX2		L05A	4
BOX3		S03A M6X10	16
BOX3		M24 M6	16










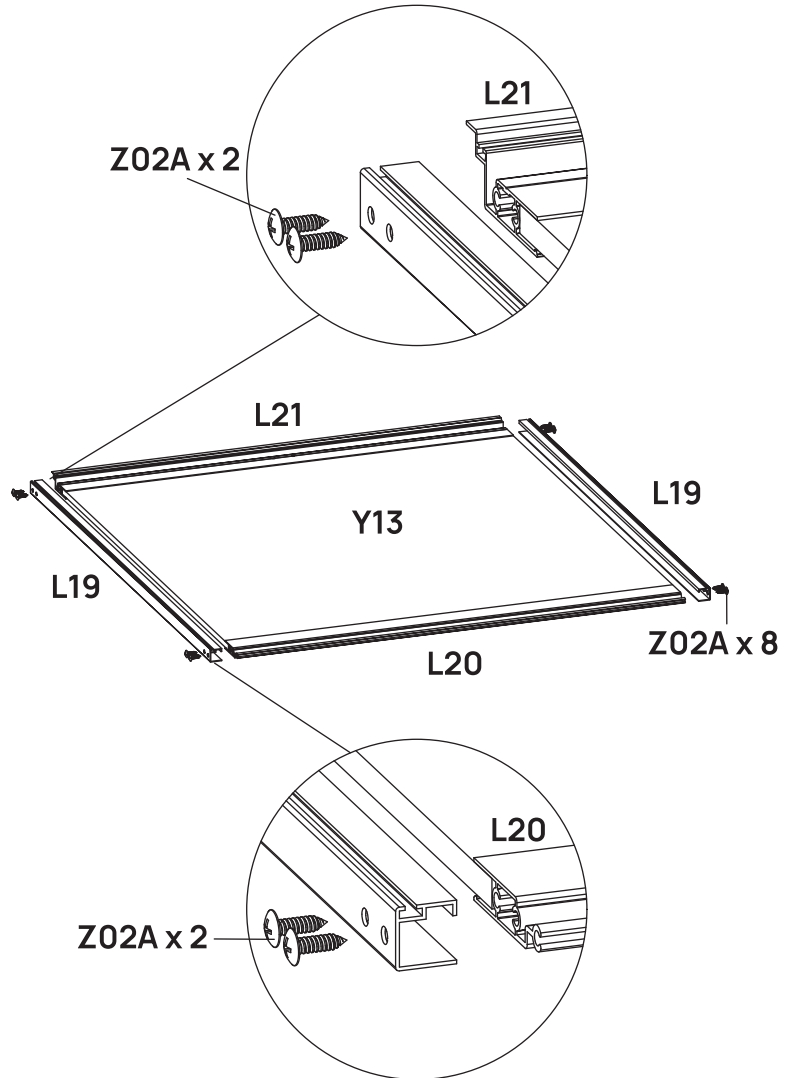


Vent Assembly

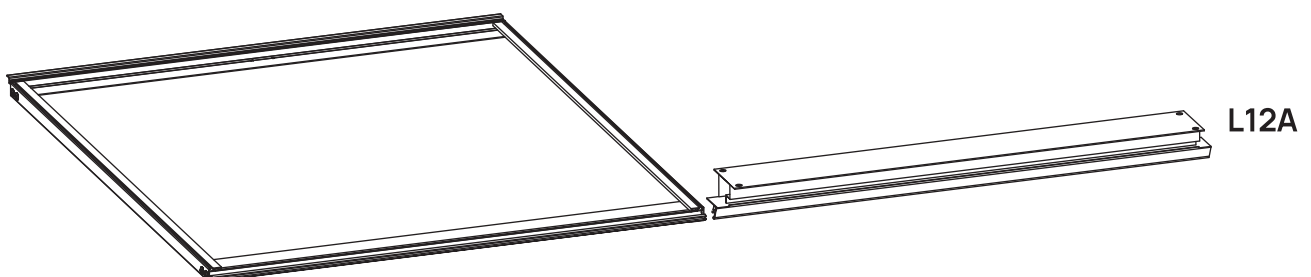
STEP 01

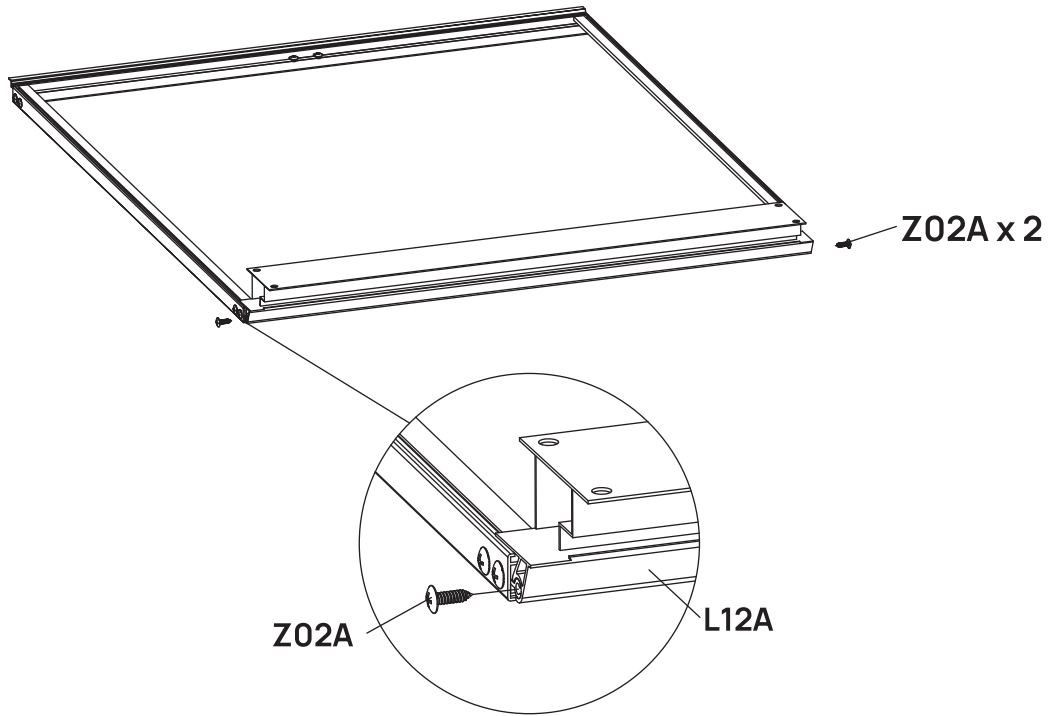
With the UV-Protected side of the PC panel facing downward, assemble the vent as shown, using Z02A screws. Make sure the profiles with weather stripping are positioned on the same side, trim any excess stripping from the ends.

BOX	PART	NO	QTY
ALBOX-3		L12A	4
ALBOX-3		L19	8
ALBOX-3		L20	4
ALBOX-3		L21	4
PCBOX-2		Y13	4
GLBOX-1			
ALBOX-3		Z02A	40
		Ø4X16D	
PCBOX-1		H158	1
GLBOX-1		H159	

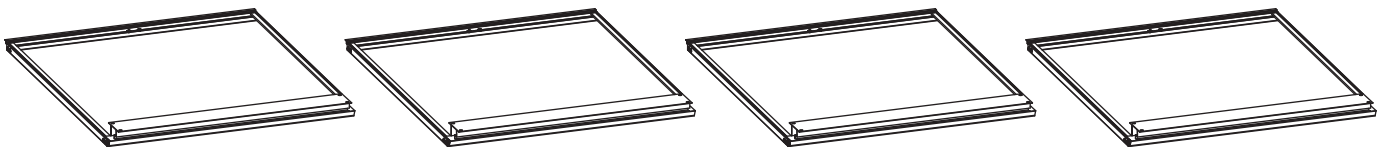
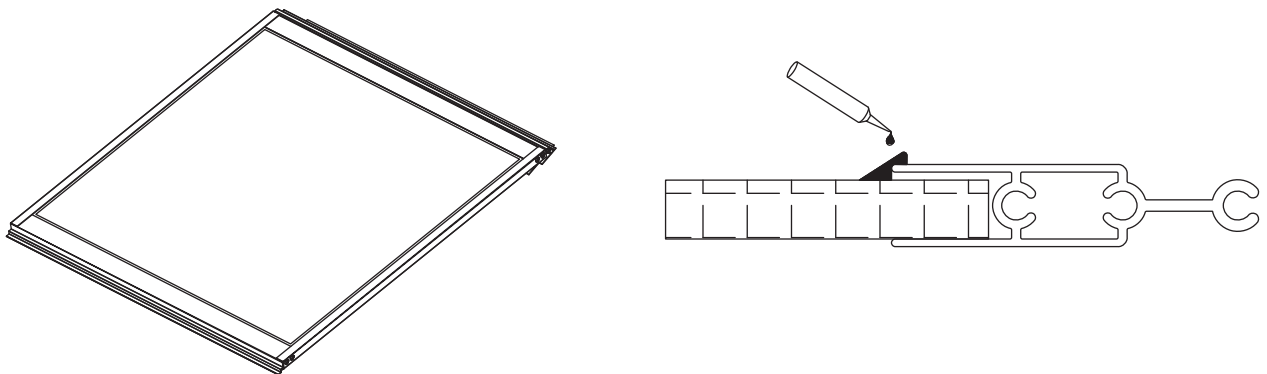


Slide L12A hinge frame onto L20 as shown. Ensure it is oriented the correct way, then secure with Z02A screws as shown.






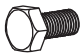

Repeat these steps to assemble a total of 4 vents. Apply silicone caulk (not provided) around all PC panels to seal.

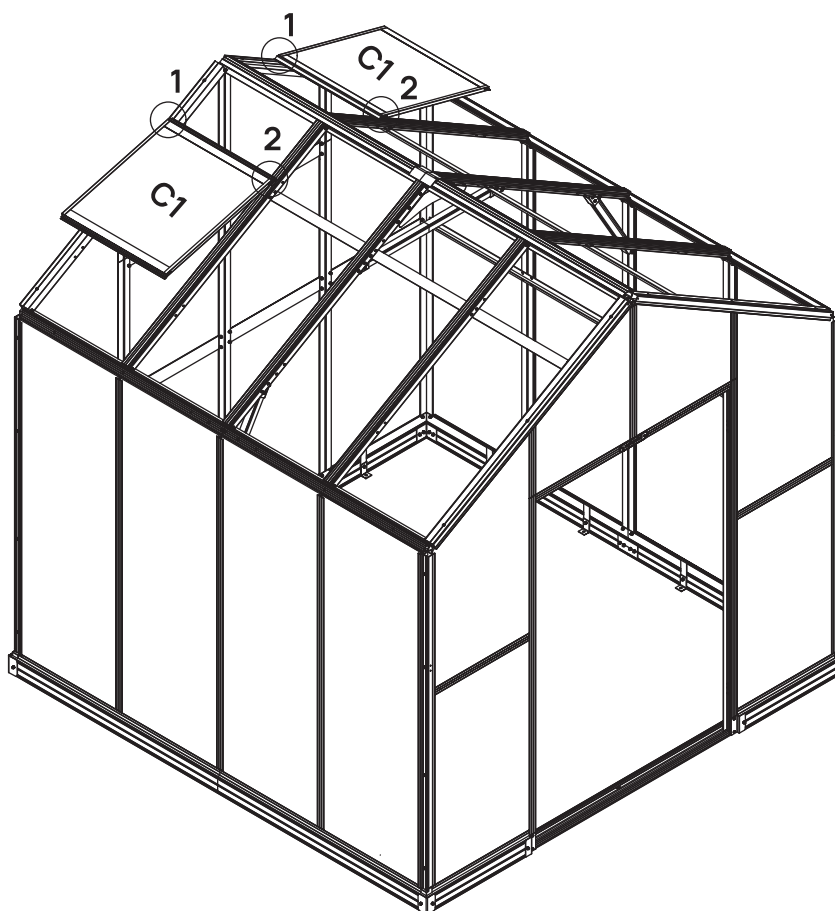
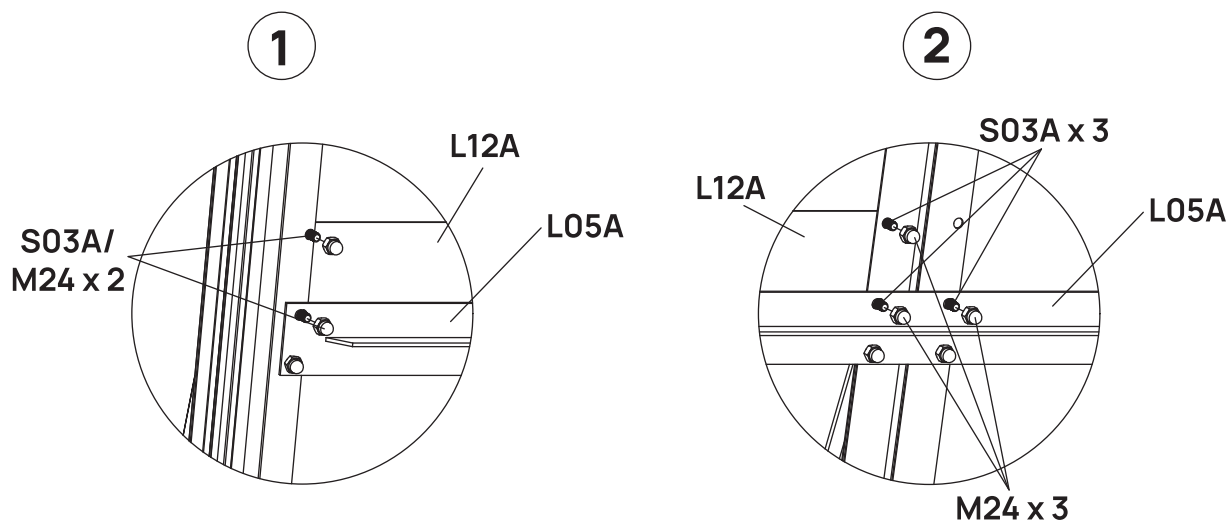


C1 x 4

STEP
02

Attach the vents to the roof as shown in the diagram.



BOX	PART	NO	QTY
		C1	2
ALBOX-3		S03A M6X10	10
ALBOX-3		M24 M6	10

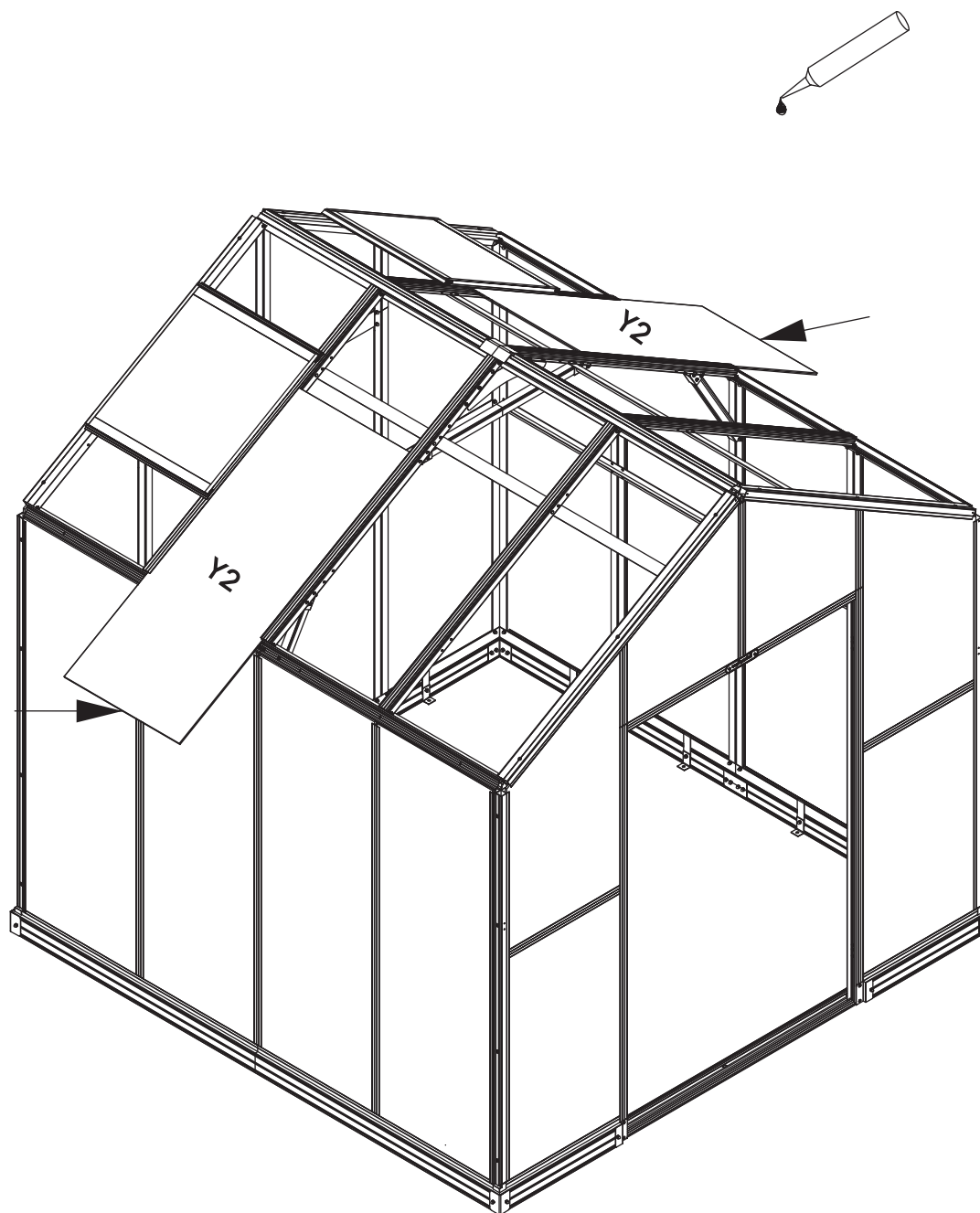


STEP
03

Slide Y2 panels into place as shown.



Apply silicone caulk (not included) around PC panels to seal.

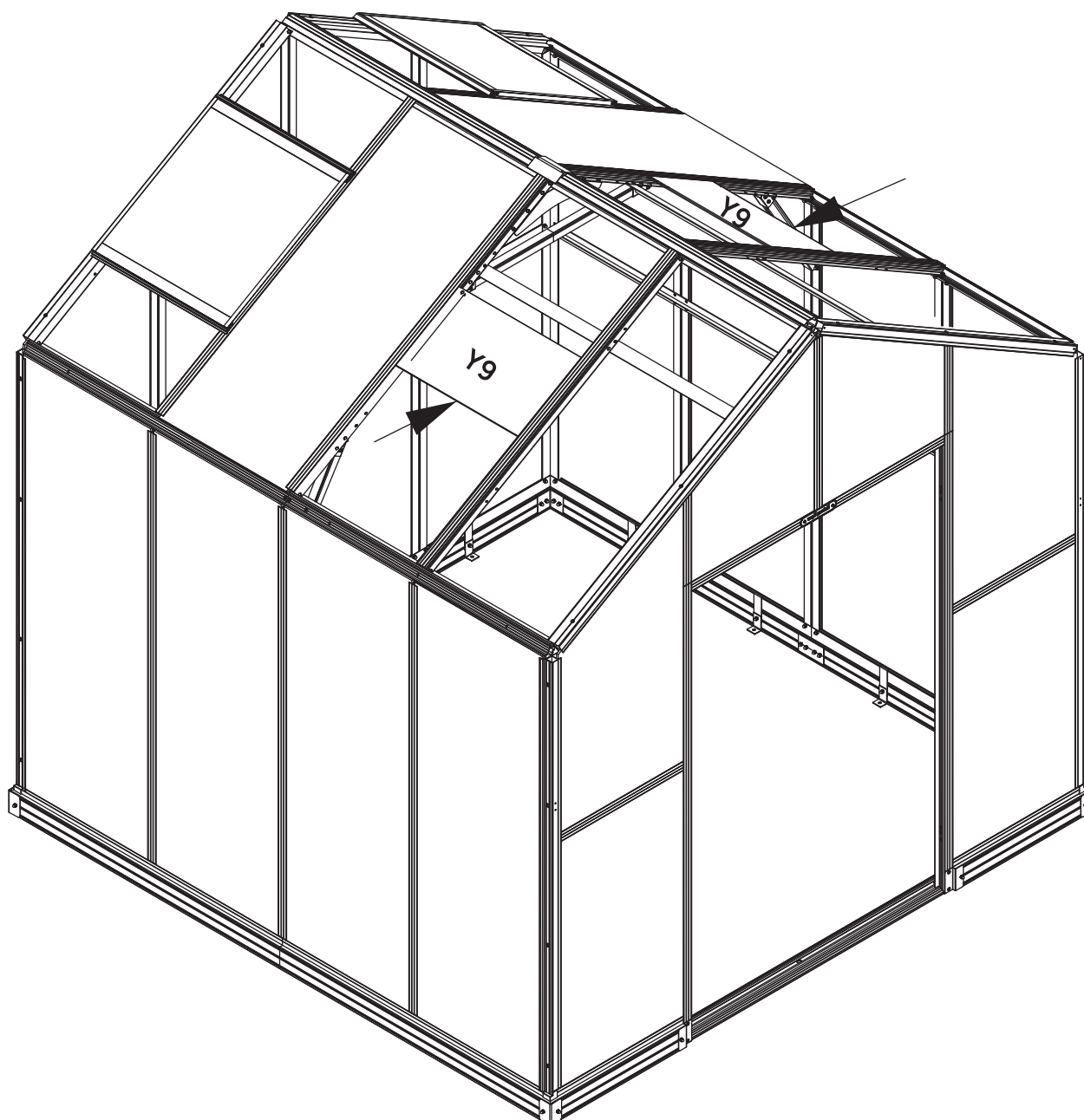
BOX	PART	NO	QTY
PCBOX-2 GLBOX-1		Y2	2
PCBOX-1 GLBOX-1		H159	1



STEP
04




Slide Y9 panels into place as shown, and secure temporarily with painter's tape.

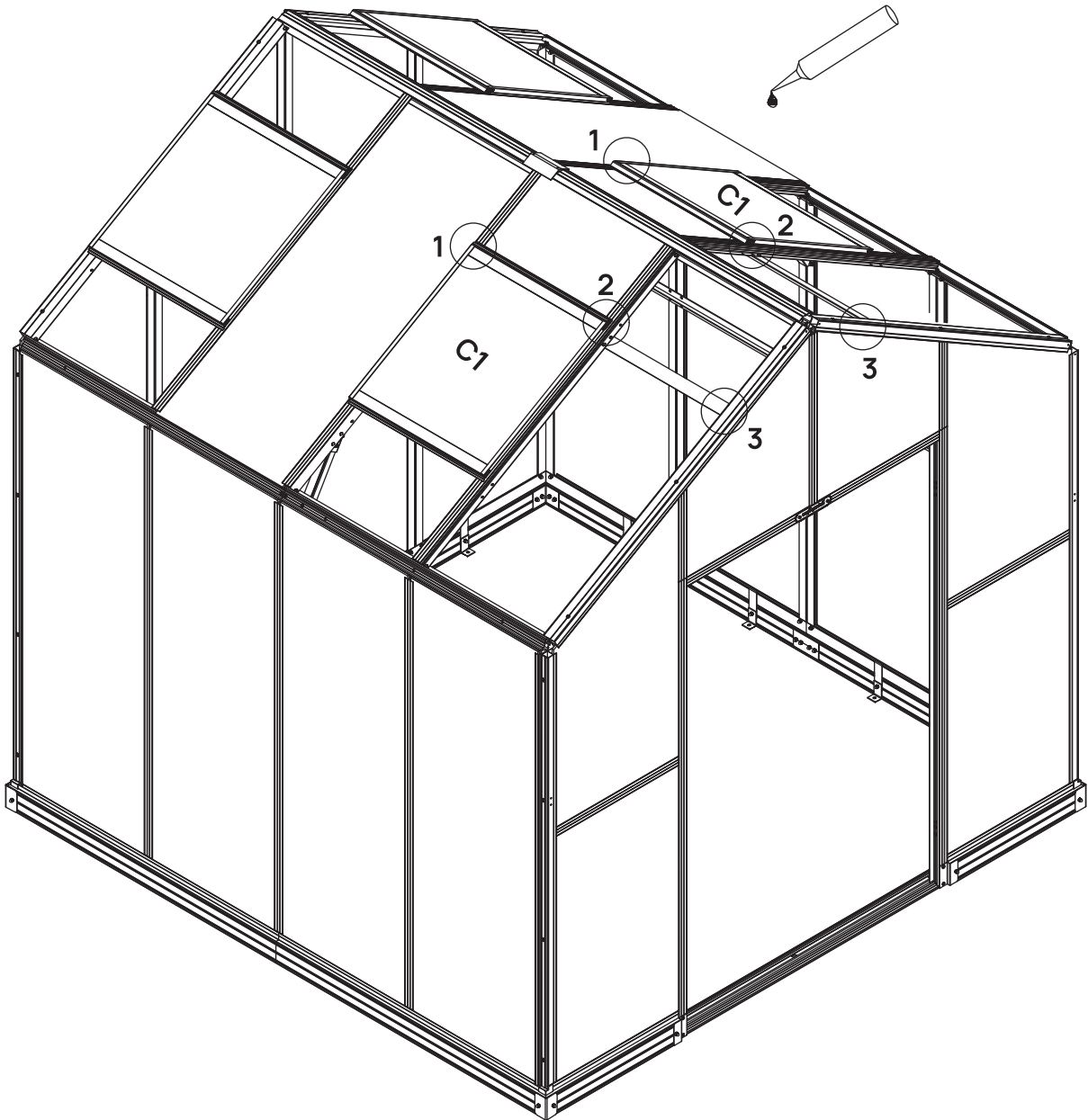
BOX	PART	NO	QTY
ALBOX-2 GLBOX-1		Y9	2
ALBOX-1 GLBOX-1		H159	1

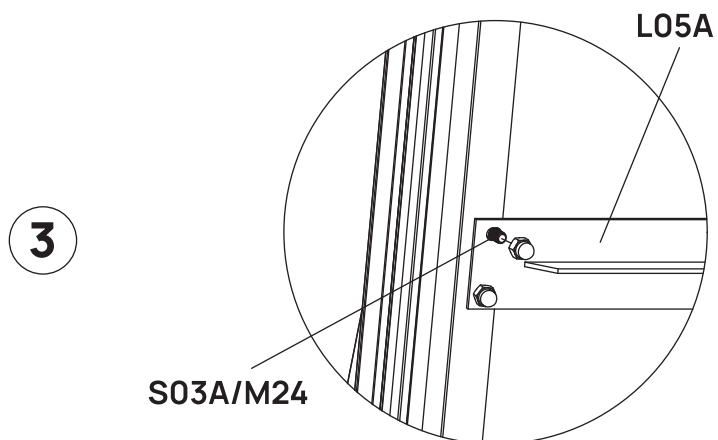
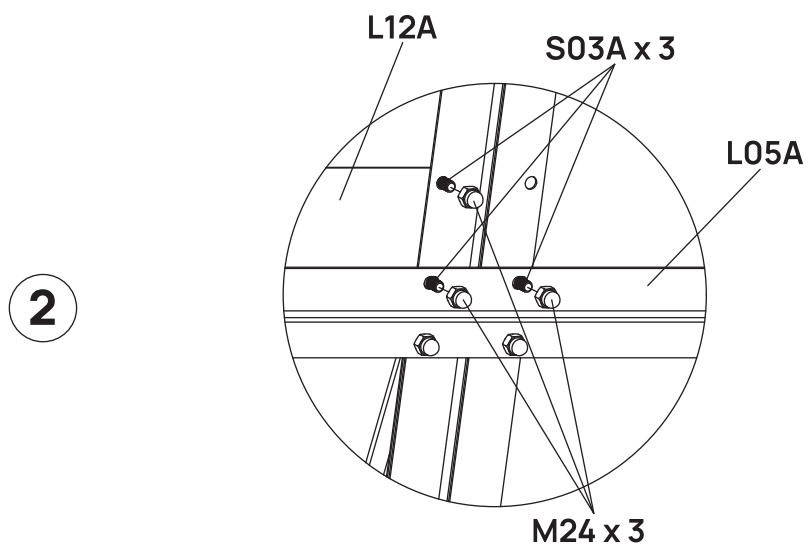
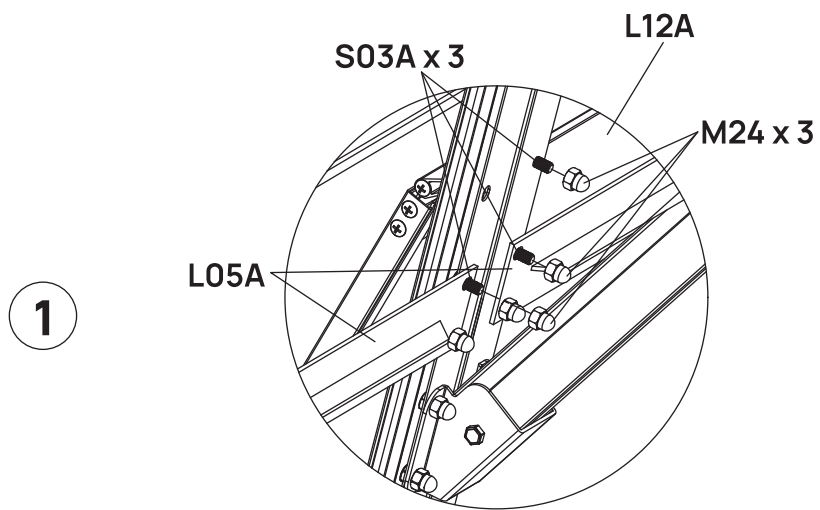


STEP
05

Repeat the last three steps to install the rest of the panels and vents as shown. Apply silicone caulk (not included) around PC panels to seal.

BOX	PART	NO	QTY
		C1	2
ALBOX-3		S03A M6X10	14
ALBOX-3		M24 M6	14

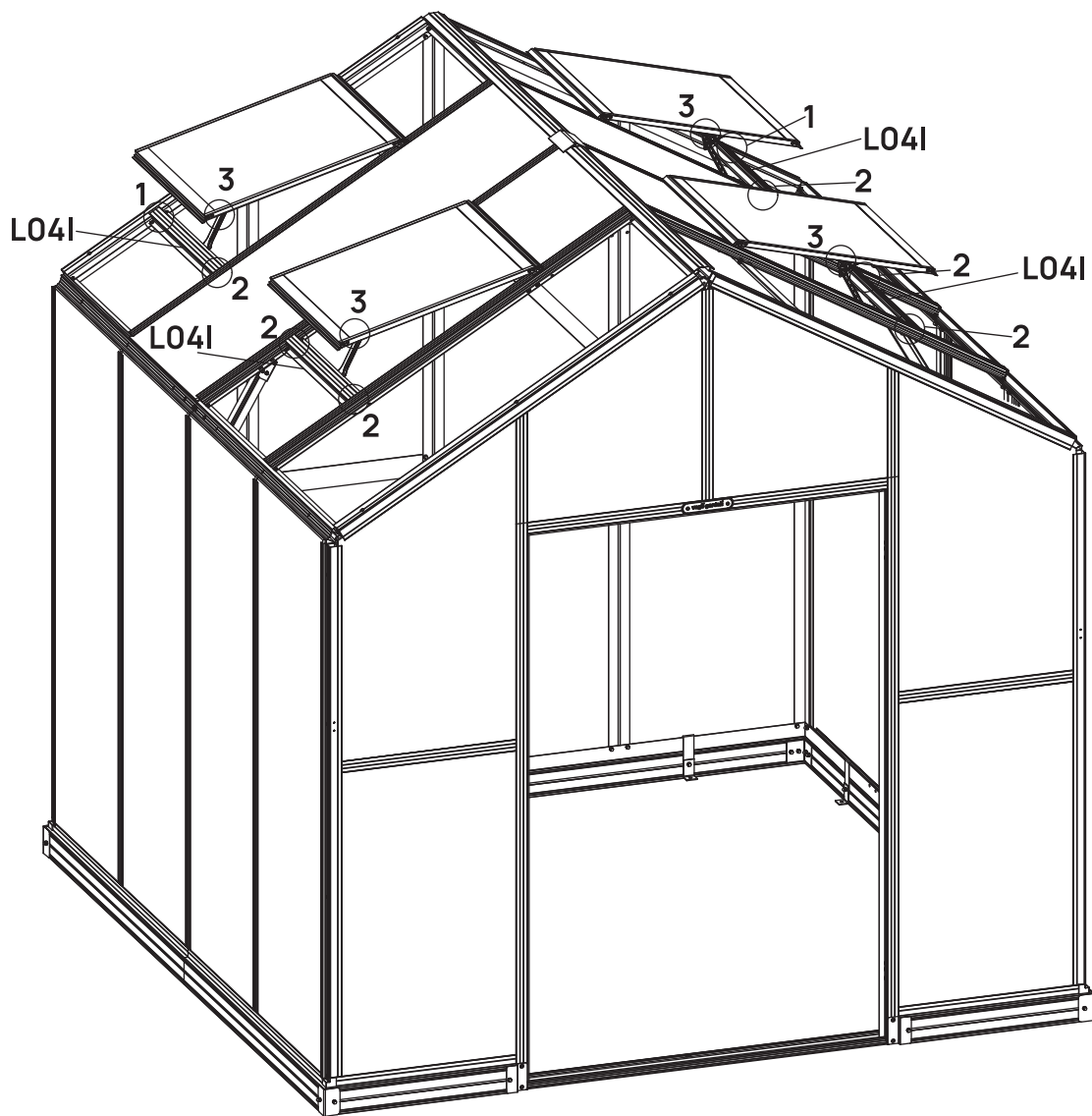




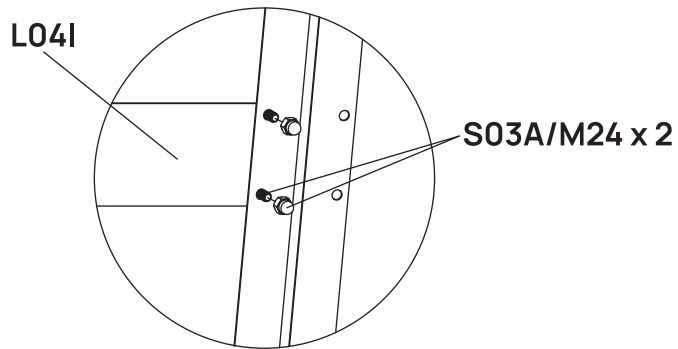
STEP
06

Install the vent support frames and vent openers as shown.

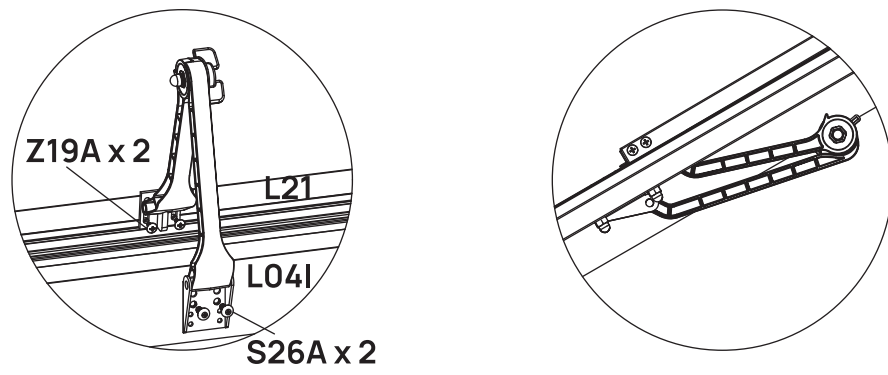
BOX	PART	NO	QTY
ALBOX-3		L04I	4
ALBOX-3		A111	4
Pre-installed		S26A M5X12	8
ALBOX-3		S03A M6X10	16
ALBOX-3		M24 M6	16
ALBOX-3		Z19A M4.2X10	8



2






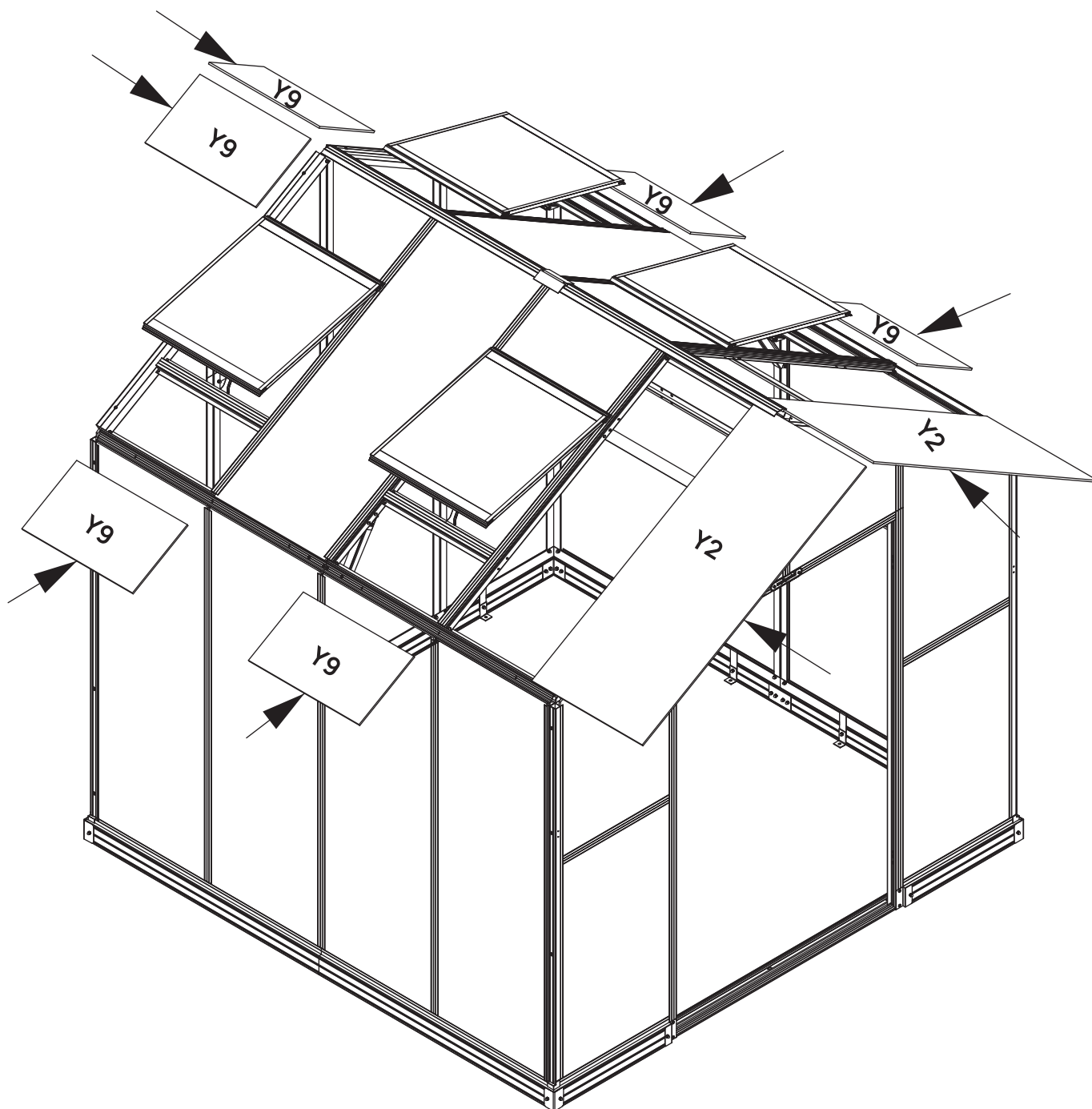
3



STEP
07



Insert the last Y9 and Y2 panels as shown.

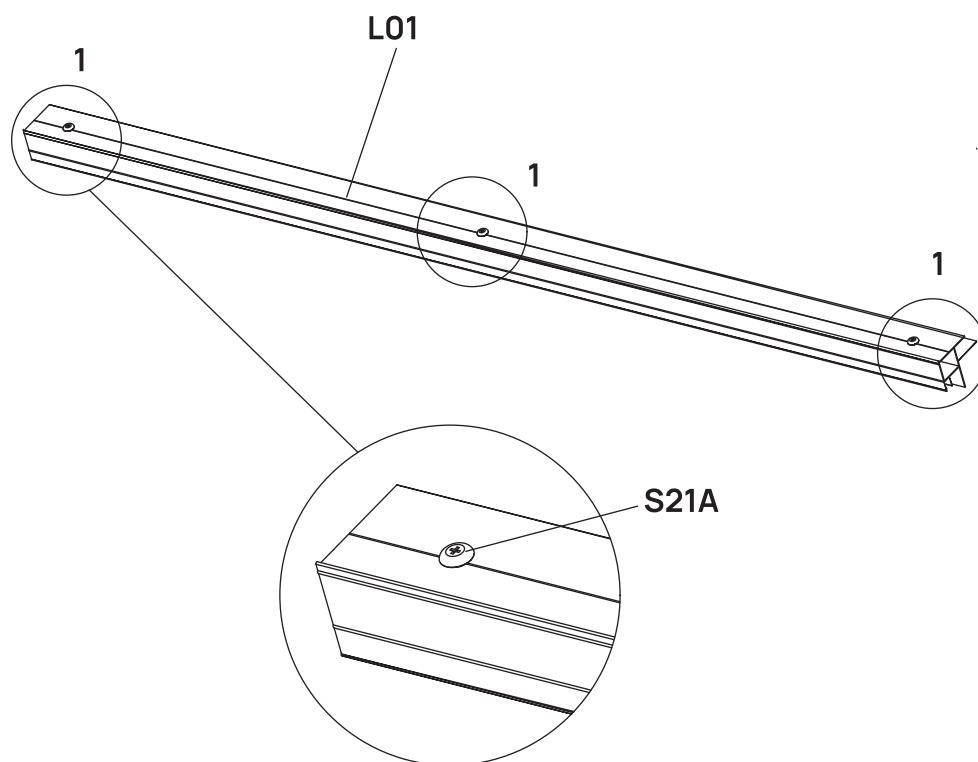
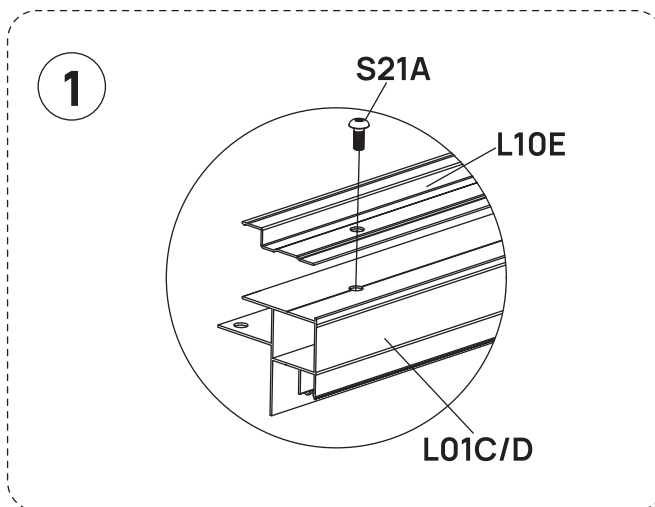
BOX	PART	NO	QTY
PCBOX-2		Y2	2
GLBOX-1			
PCBOX-2		Y9	6
GLBOX-1			
PCBOX-1		H159	1
GLBOX-1			



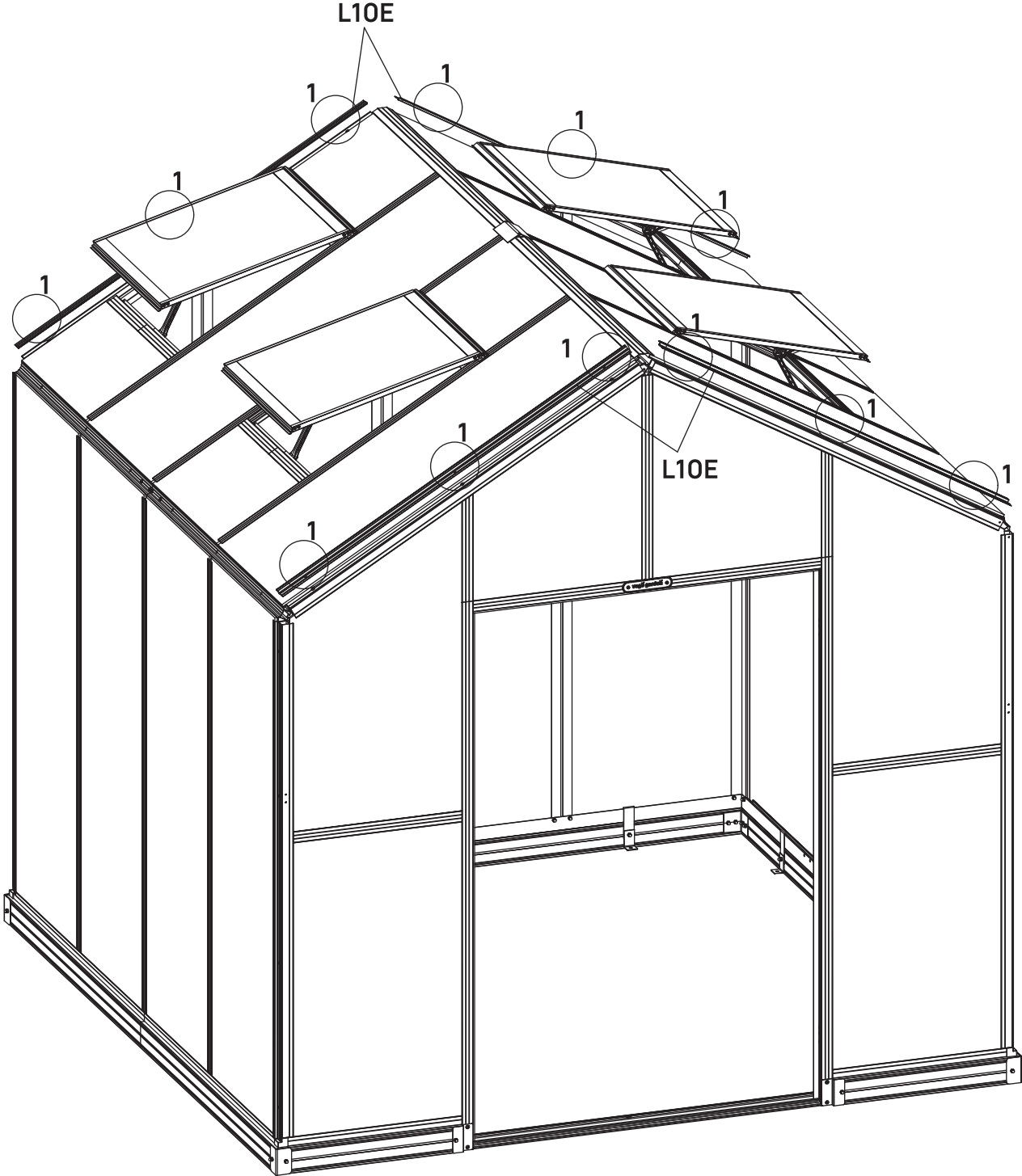
STEP
08

Remove the pre-installed S21A bolts from the front and back L01 gable frames.

BOX	PART	NO	QTY
ALBOX-2		L10E	4
Pre-installed		S21A M6X10	12








Attach L10E cover frames onto L01 frames to secure the outermost PC panels as shown, using the removed S21A bolts.

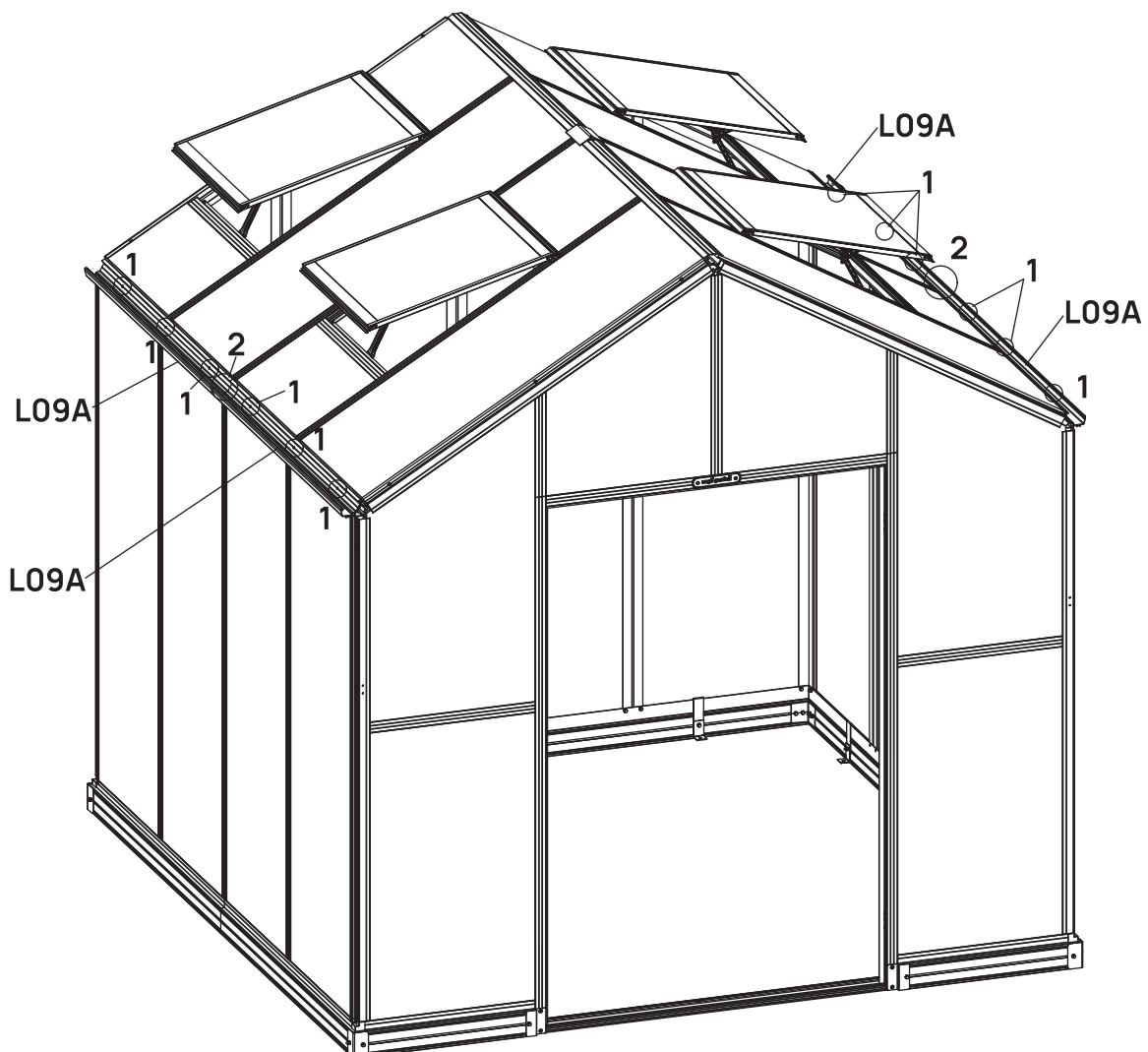


Gutter Assembly

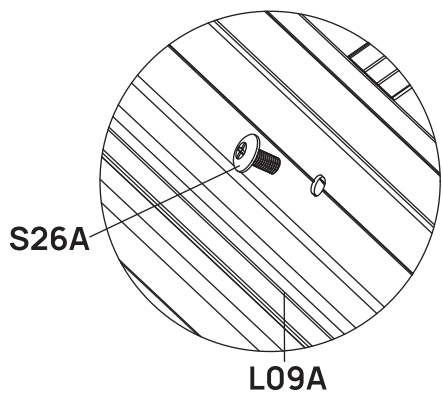
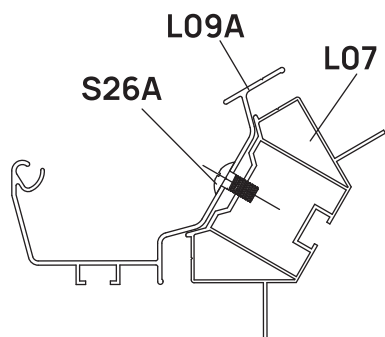
STEP 01

Remove the pre-installed S26A bolts from L07 frames, then attach gutter frames onto eave frames as shown, using S26A.

BOX	PART	NO	QTY
ALBOX-2		L09A	4
ALBOX-3		D25	2
Pre-installed		S26A M5X12	12
ALBOX-3		S03A M6X10	4
ALBOX-3		M24 M6	4

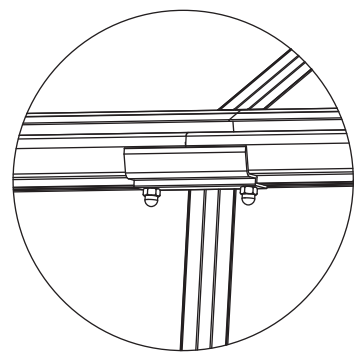
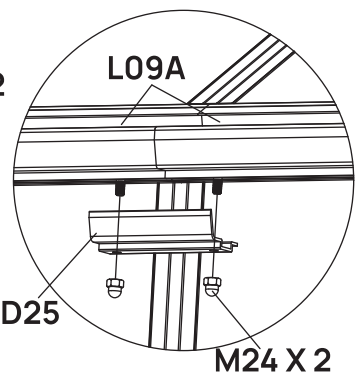
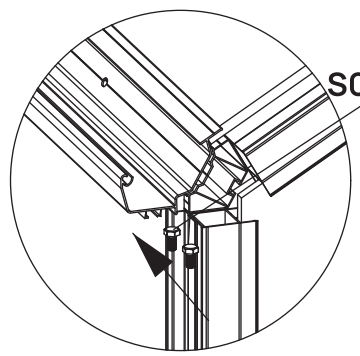


1



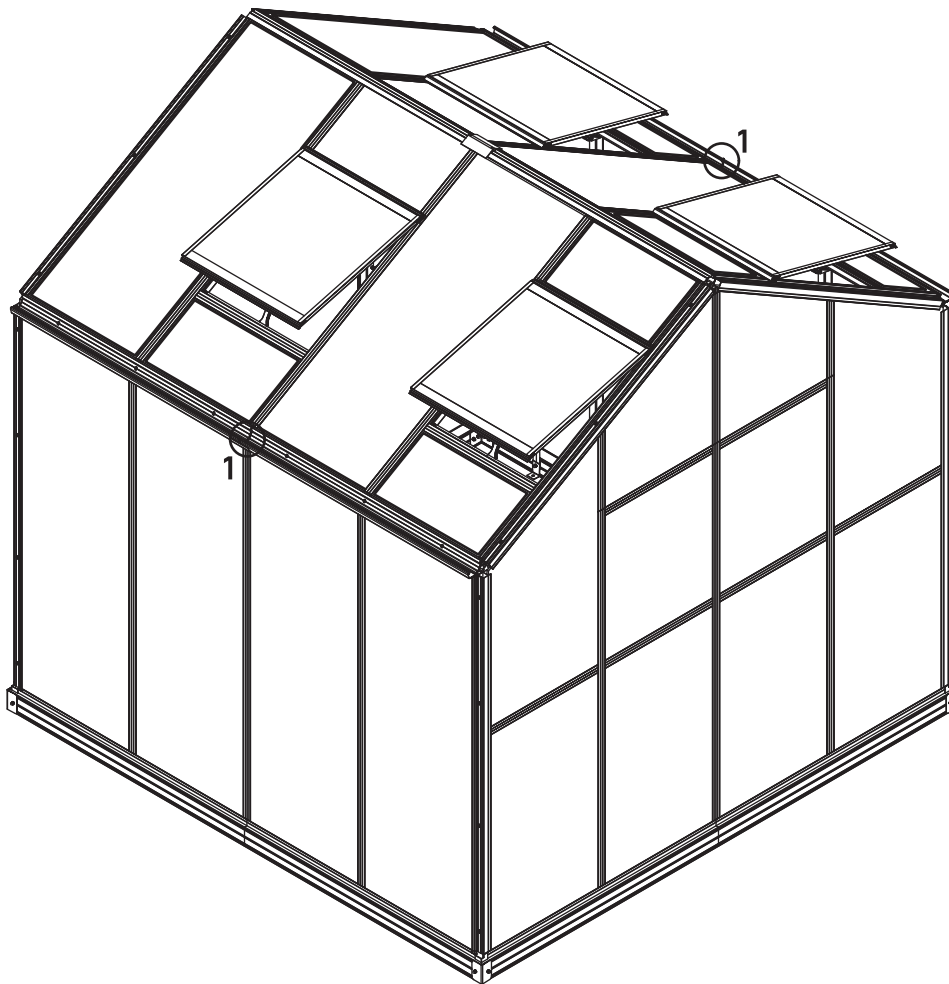
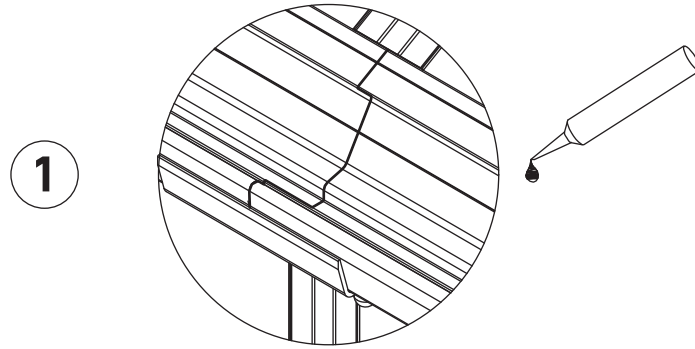
2

Slide S03A bolts in the grooves of the frames, position them as shown in the diagram.
Secure the D25 gutter connectors with M24 nuts.



STEP
02

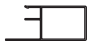


Apply silicone caulk (not included) around all PC panels and the gaps of gutter pieces to seal.

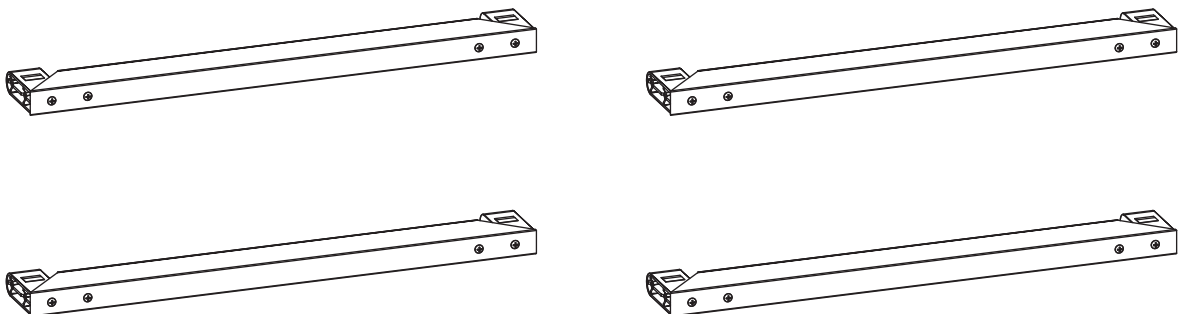
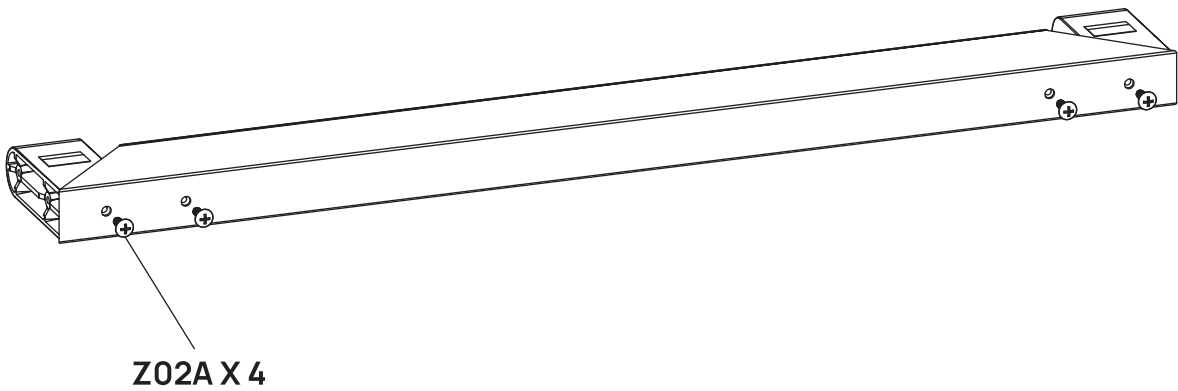
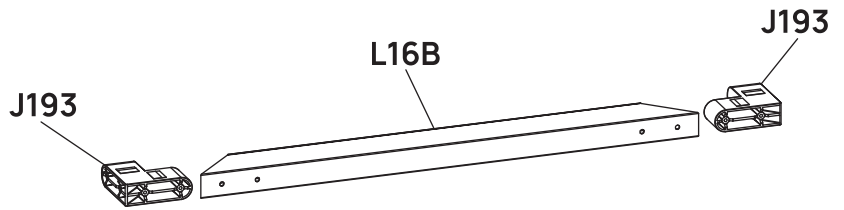


Door Assembly

STEP 01


Assemble the top and bottom edges of each door by attaching J193 pieces to each end of the L16B frames.

BOX	PART	NO	QTY
ALBOX-3		L16B	4
ALBOX-3		J193	8
ALBOX-3		Z02A Ø4X16D	16

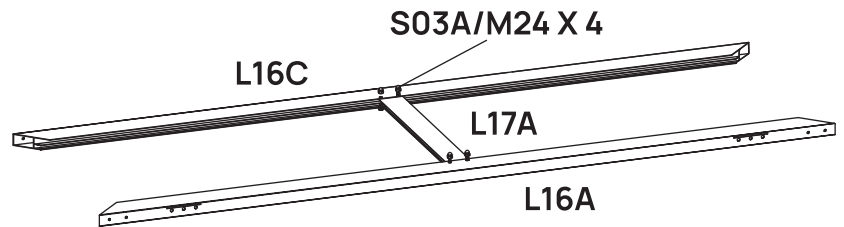


STEP
02

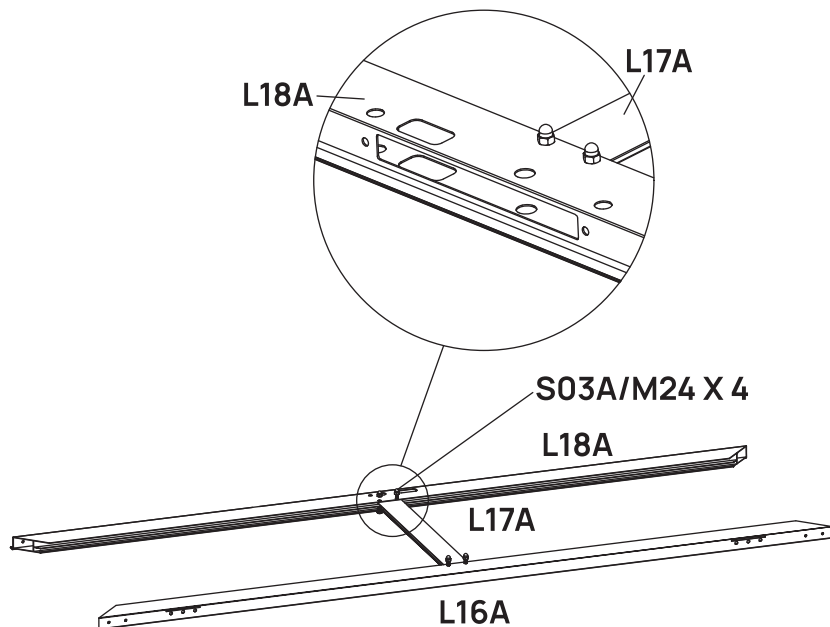
Assemble the left and right doors as shown in the diagram.

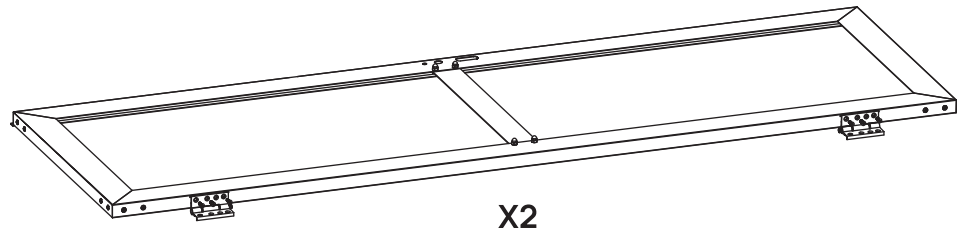
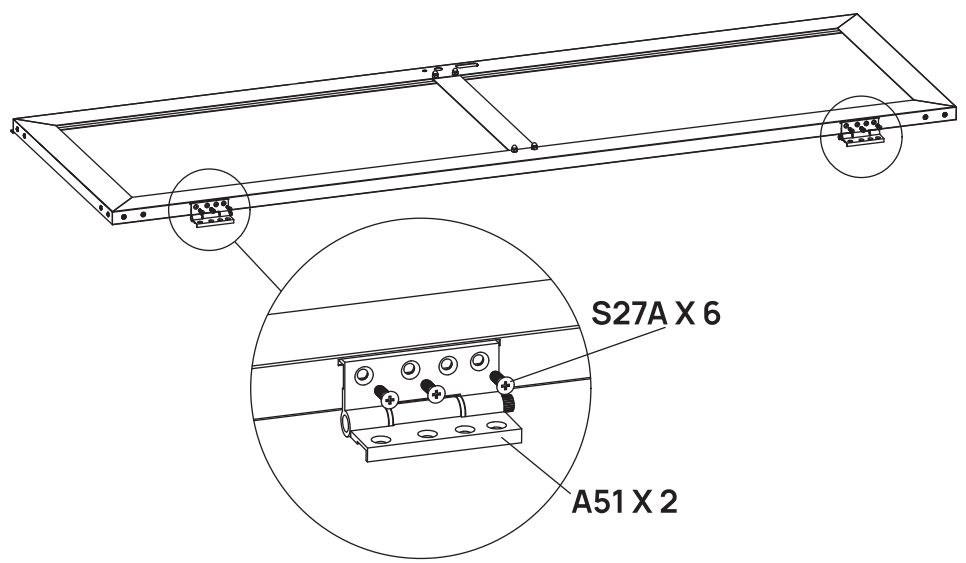
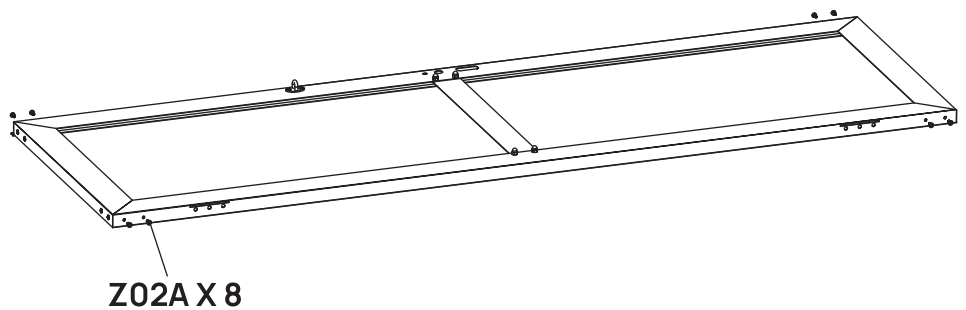
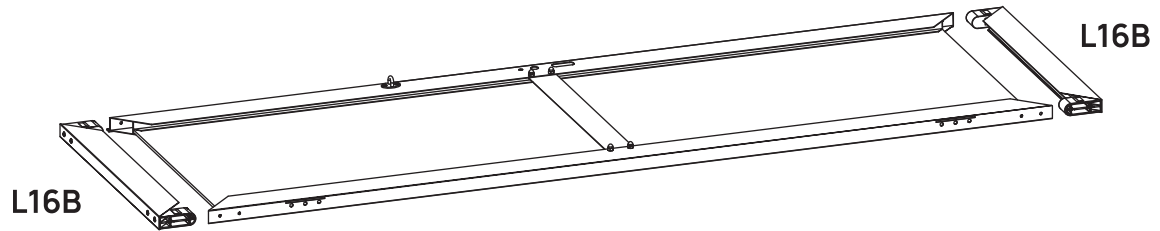
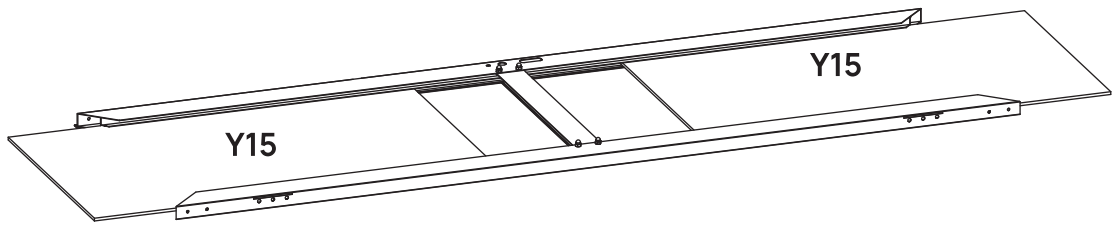
BOX	PART	NO	QTY
ALBOX-1		L16A	2
ALBOX-1		L16C	1
ALBOX-3		L17A	2
ALBOX-1		L18A	1
PCBOX-1 GLBOX-1		Y15	4
ALBOX-3		A51	4
ALBOX-3		S03A M6X10	8
ALBOX-3		M24 M6	8
ALBOX-3		Z02A Ø4X16D	16
Pre-installed		S27A M4.8X16	12
PCBOX-1 GLBOX-1		H158 H159	1

Left Door







Right Door (with lock holes)

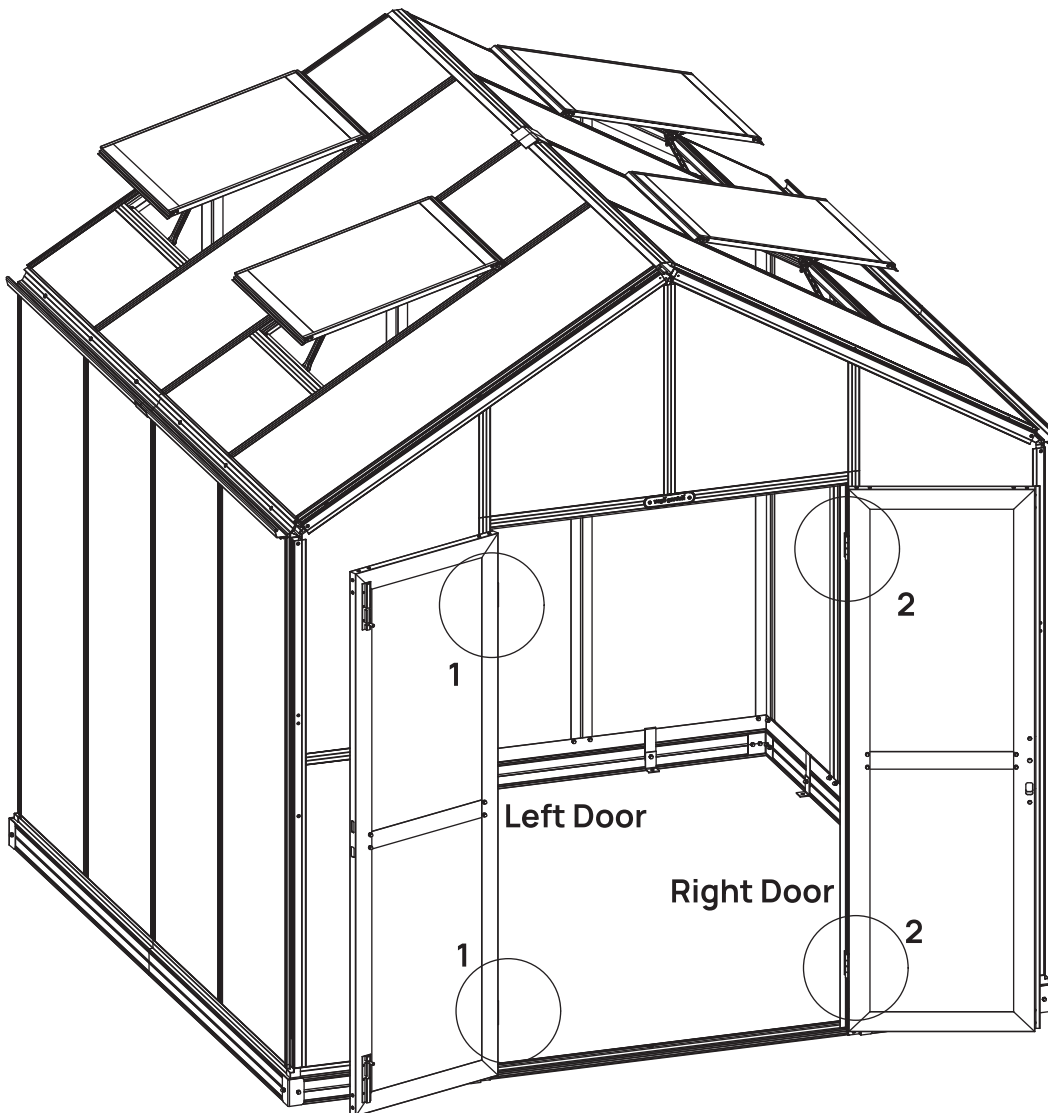
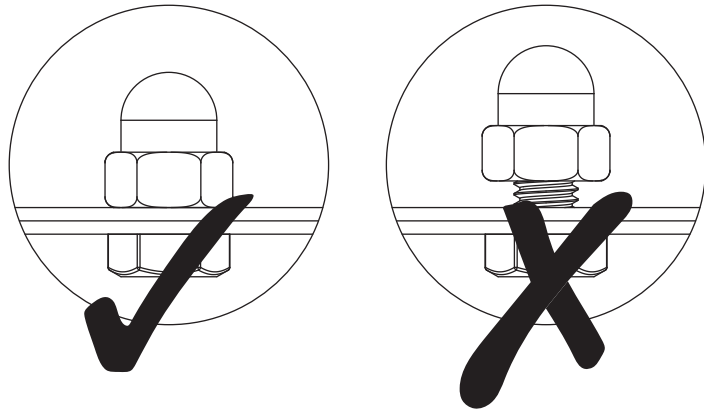




STEP
03

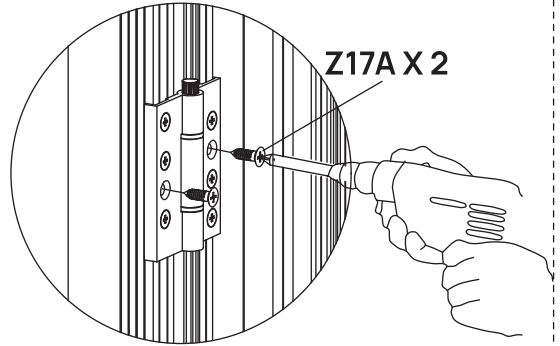
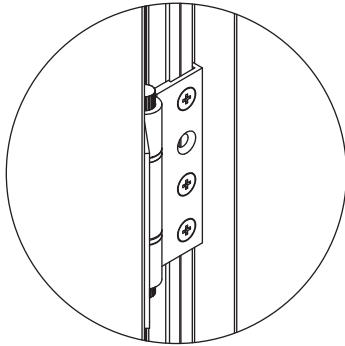
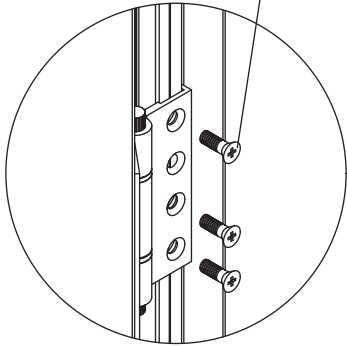
Remove S27A bolts from the L03 door frames. Hold the door in place, affix the hinges to the door frames, and secure them with S27A bolts. Finally, reinforce the structure with Z17A screws.

BOX	PART	NO	QTY
		DOOR-L	1
		DOOR-R	1
ALBOX-3		Z17A M4.8X16	8
Pre-installed		S27A M4.8X16	12



1

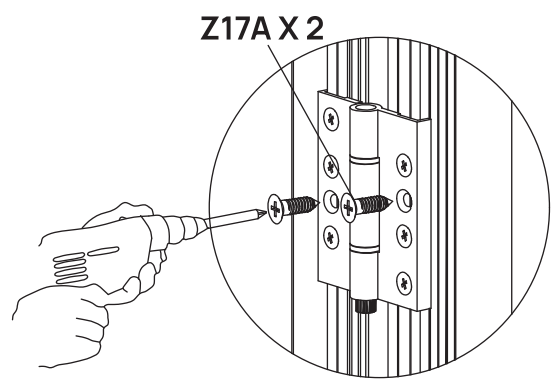
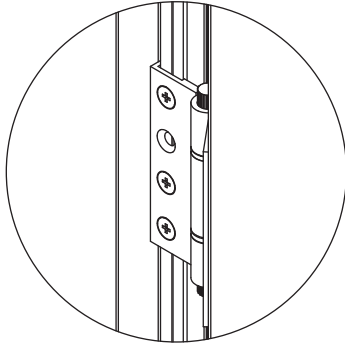
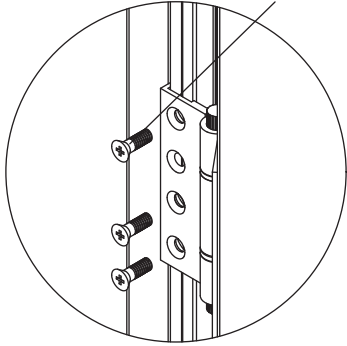
S27A X 6



Z17A X 2

2


S27A X 6

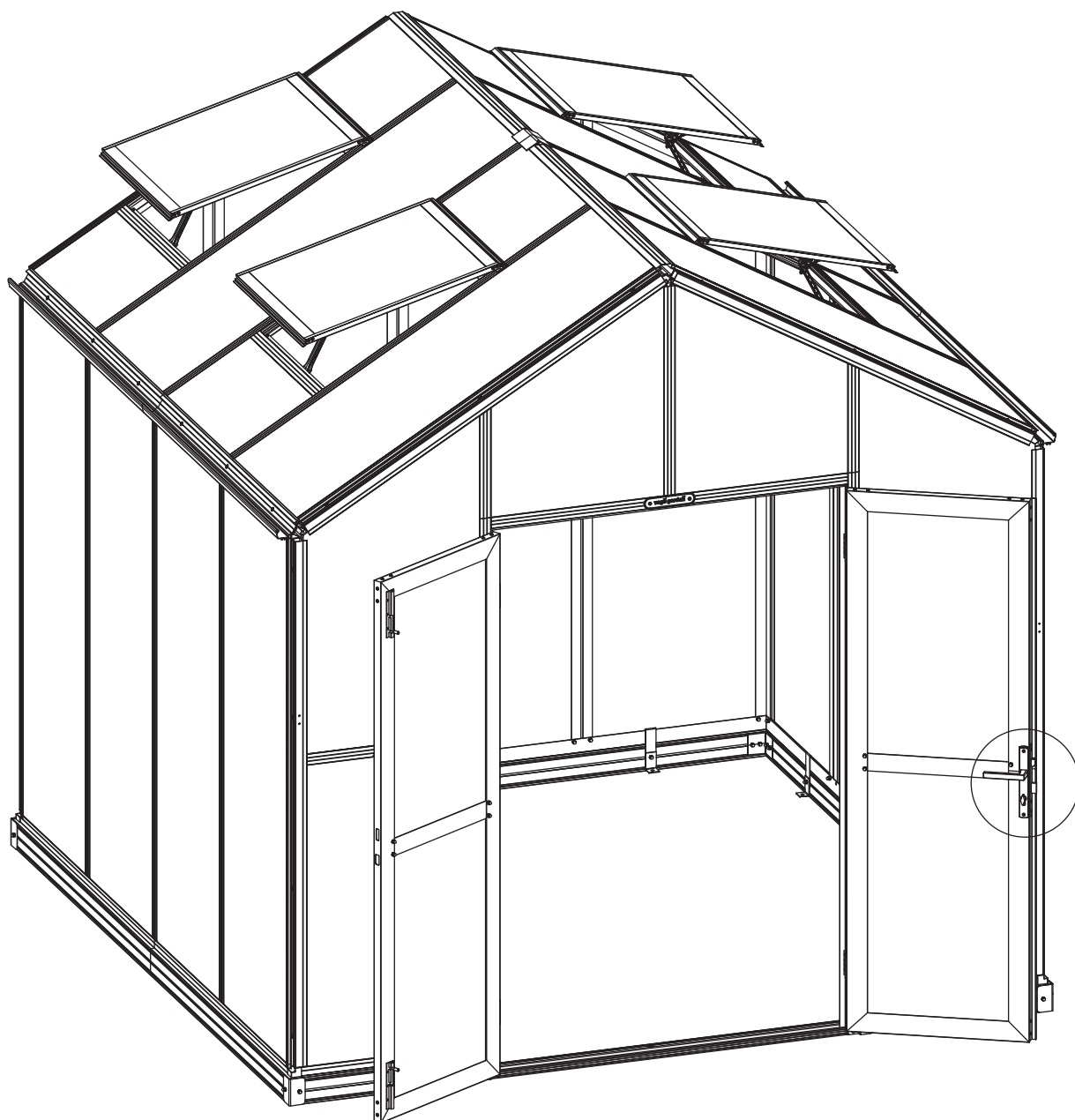


Z17A X 2

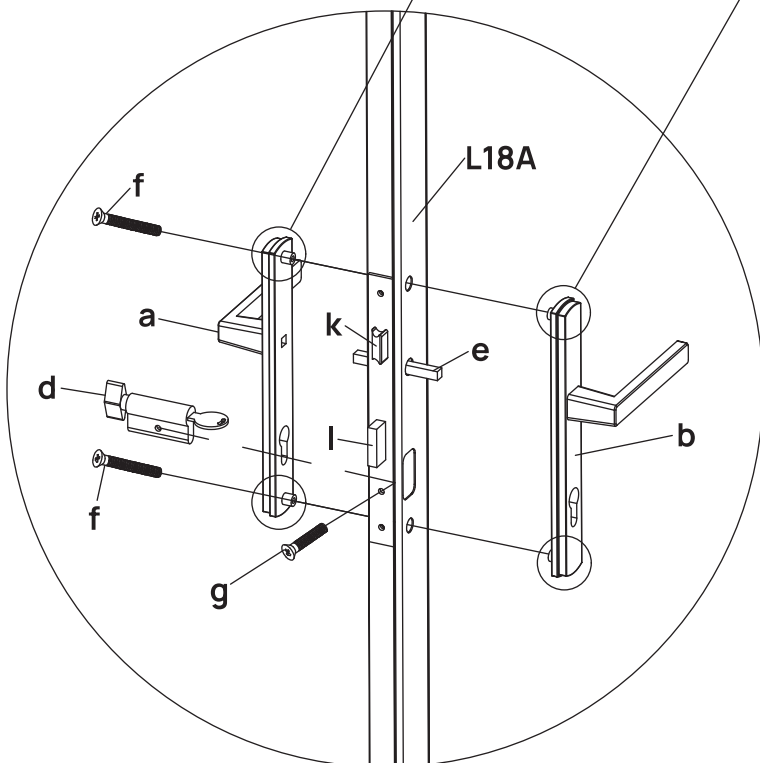
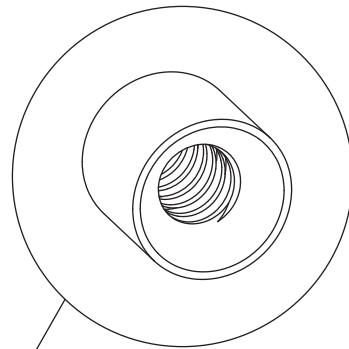
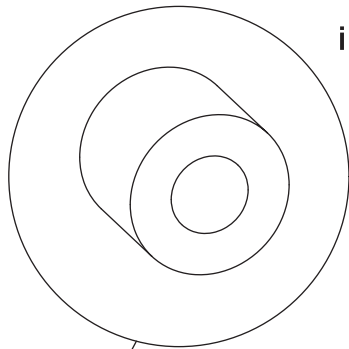
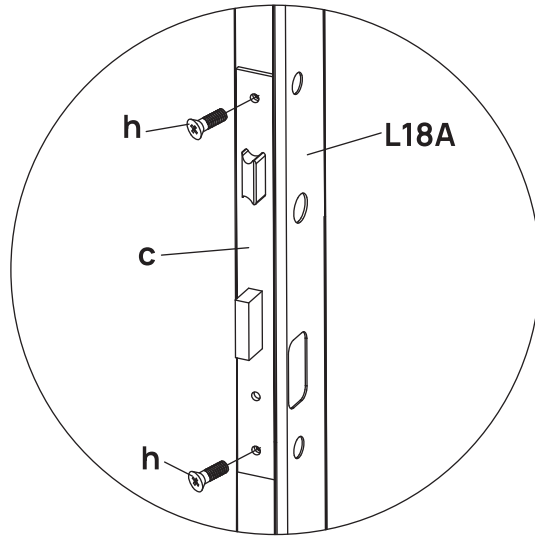
STEP
04

Lock installation.

BOX	PART	NO	QTY
ALBOX-1		H199	1



Disassemble the door lock and install it onto the right door. Make sure the keyhole faces outward and the handle rests horizontally as shown.




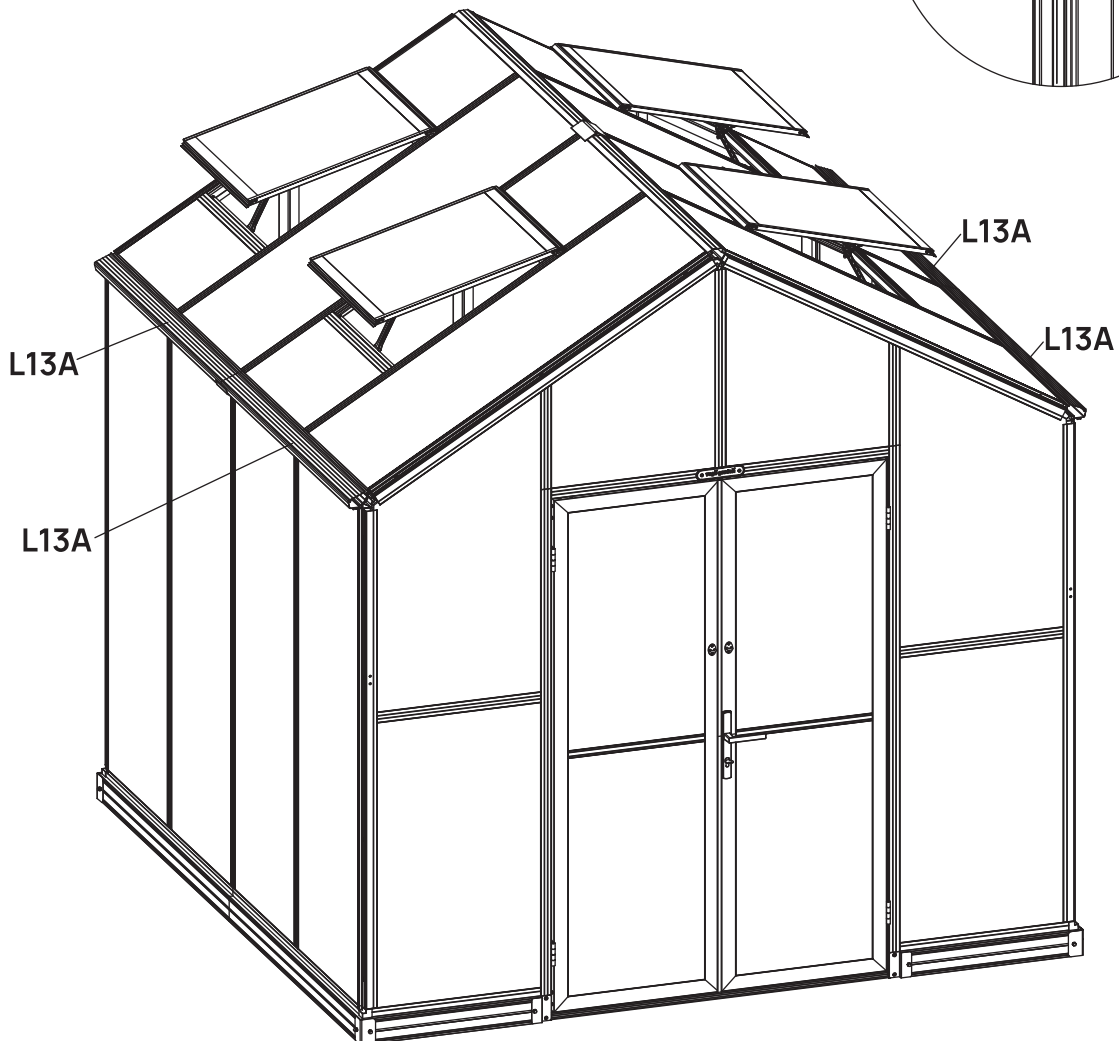
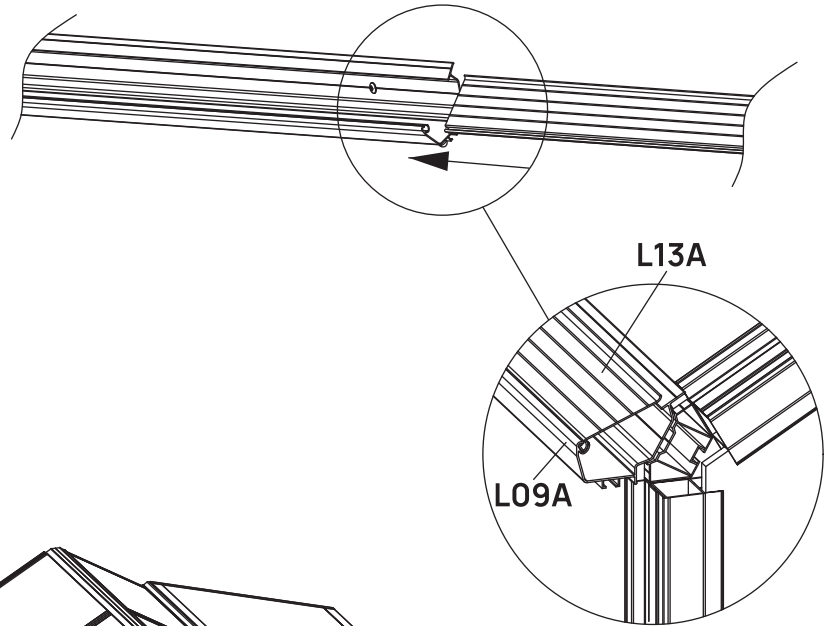
- a:** Interior Backplate with handle
- b:** Active Exterior Backplate with handle
- c:** Latch Plate
- d:** Lock Cylinder
- e:** Knob Spindle
- f:** Blackplate Bolt
- g:** Lock Cylinder Bolt
- h:** Latch Plate Bolt
- i:** Interior Backplate Nut
- j:** Exterior Backplate Nut with thread
- k:** Latch bolt
- l:** Deadbolt

Gutter Cover Assembly

STEP 01





Slide the L13A gutter cover in place as shown, test to make sure the cover can flip open easily.

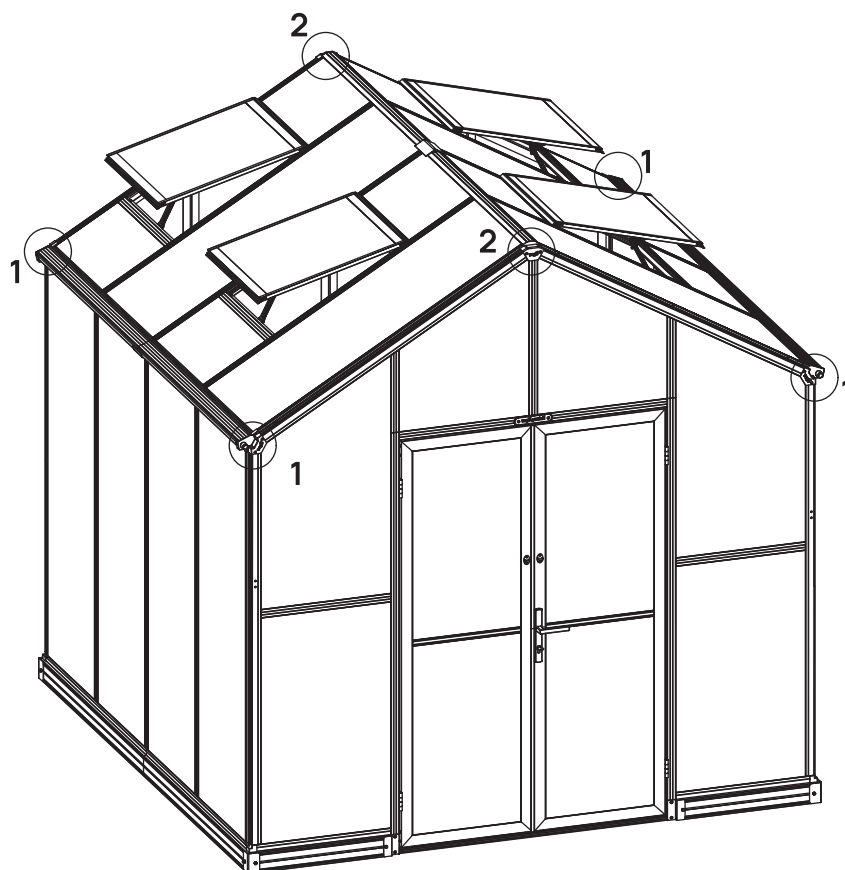
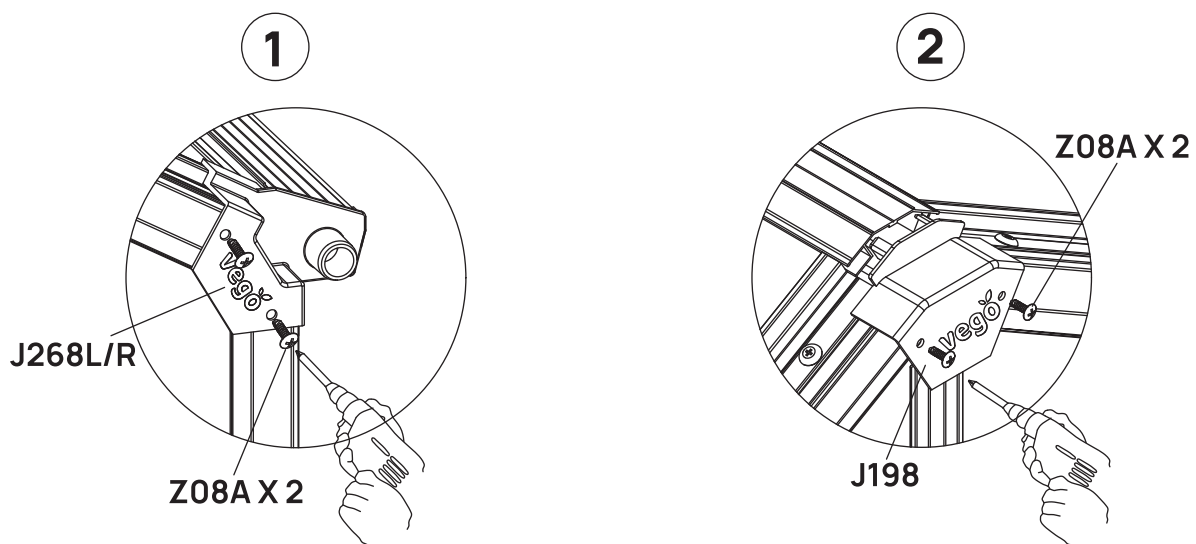
BOX	PART	NO	QTY
ALBOX-2		L13A	4



STEP
02

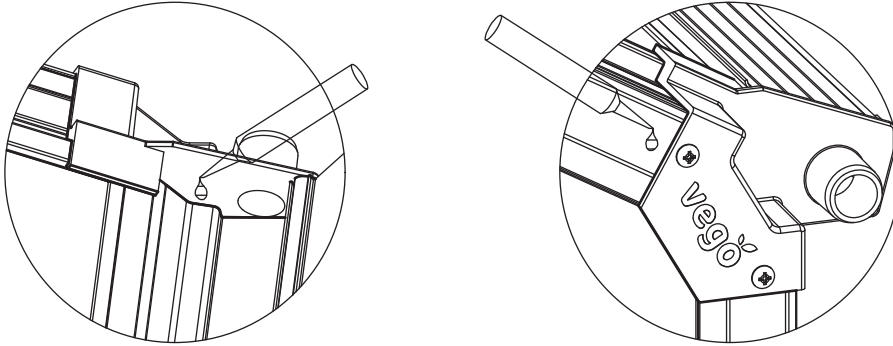
Attach ridge end cap and gutter end caps as shown.

BOX	PART	NO	QTY
ALBOX-3		J198	2
ALBOX-3		J268L	2
ALBOX-3		J268R	2
ALBOX-3		Z08A Ø4.2X16	12

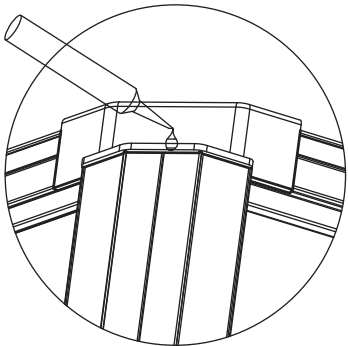


Apply silicone caulk (not provided) between the gaps of plastic caps and frames to ensure a watertight seal as shown.

1










2

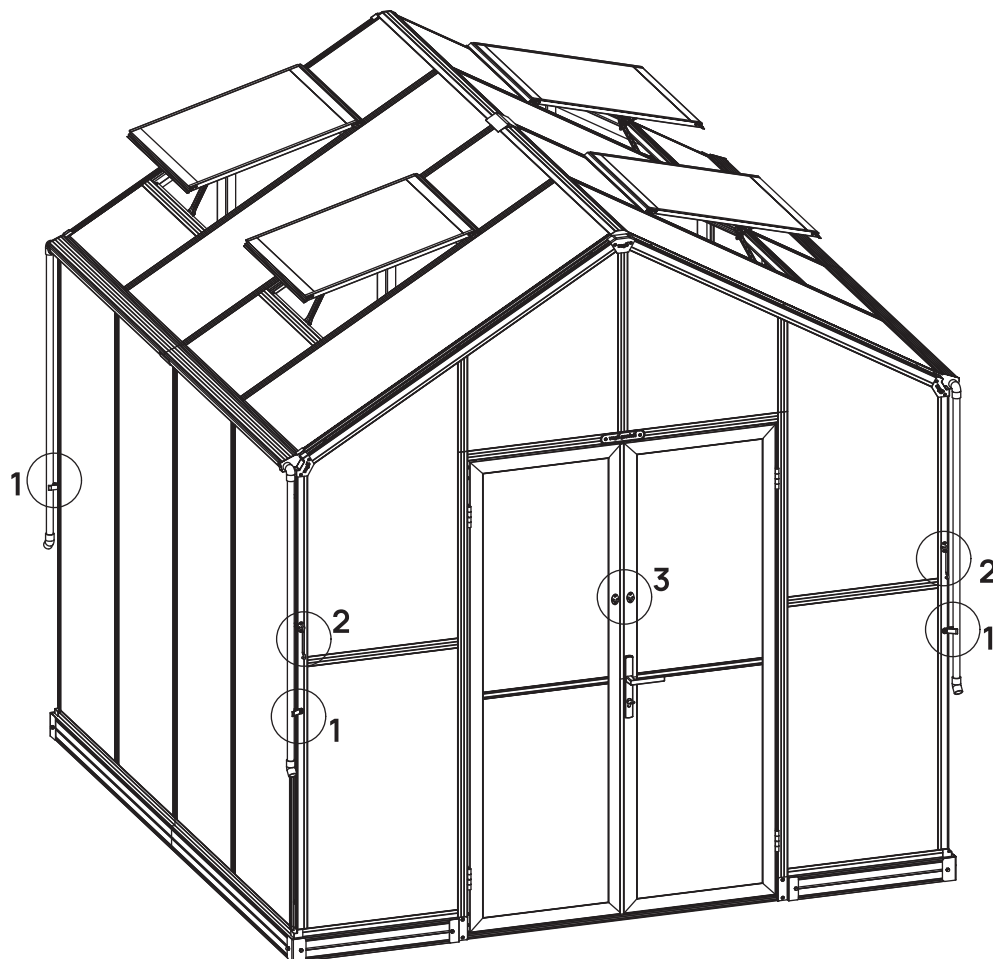
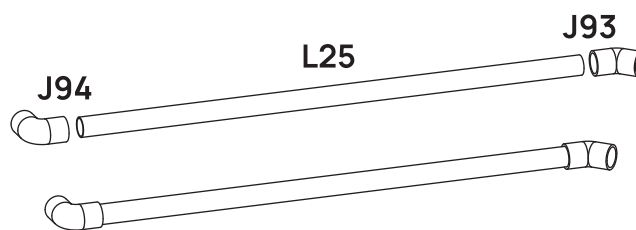
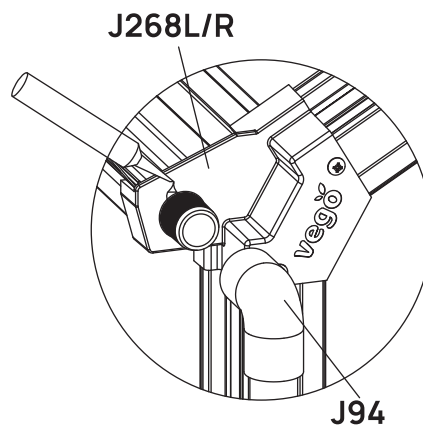


STEP
03

Assemble the drainage pipe components as shown in diagram, then attach them to the gutter end cap.

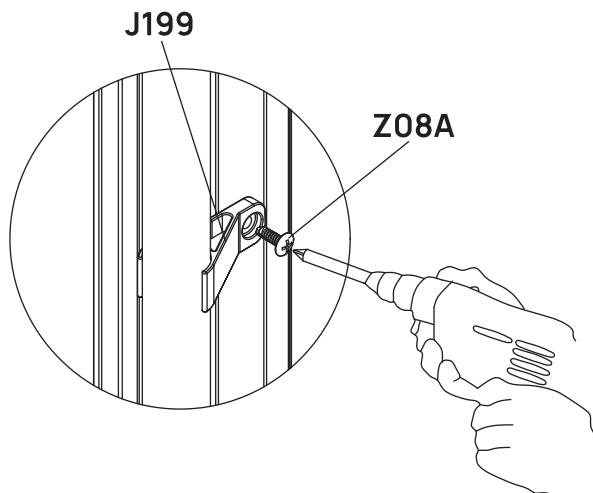
Using silicone caulk or waterproof tape to reinforce the connection between gutter end caps and pipe.

BOX	PART	NO	QTY
ALBOX-2		L25	4
ALBOX-3		J93	4
ALBOX-3		J94	4
ALBOX-3		J199	4
ALBOX-3		H74-1	2
ALBOX-3		H74-2	2
Pre-installed		S89 M3X12	8
ALBOX-3		Z08A Ø4.2X16	4

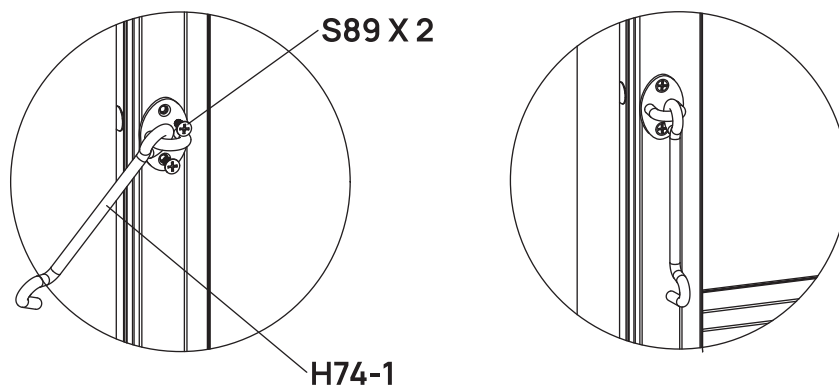


Attach pipe bracket and wind latch as shown in diagram.

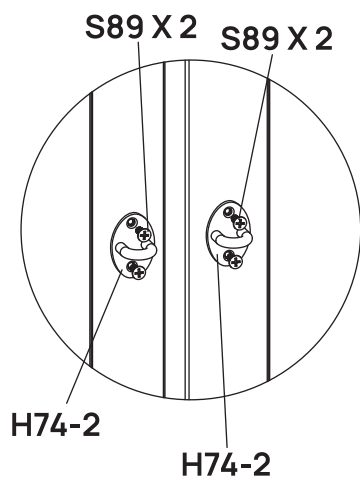
1



2

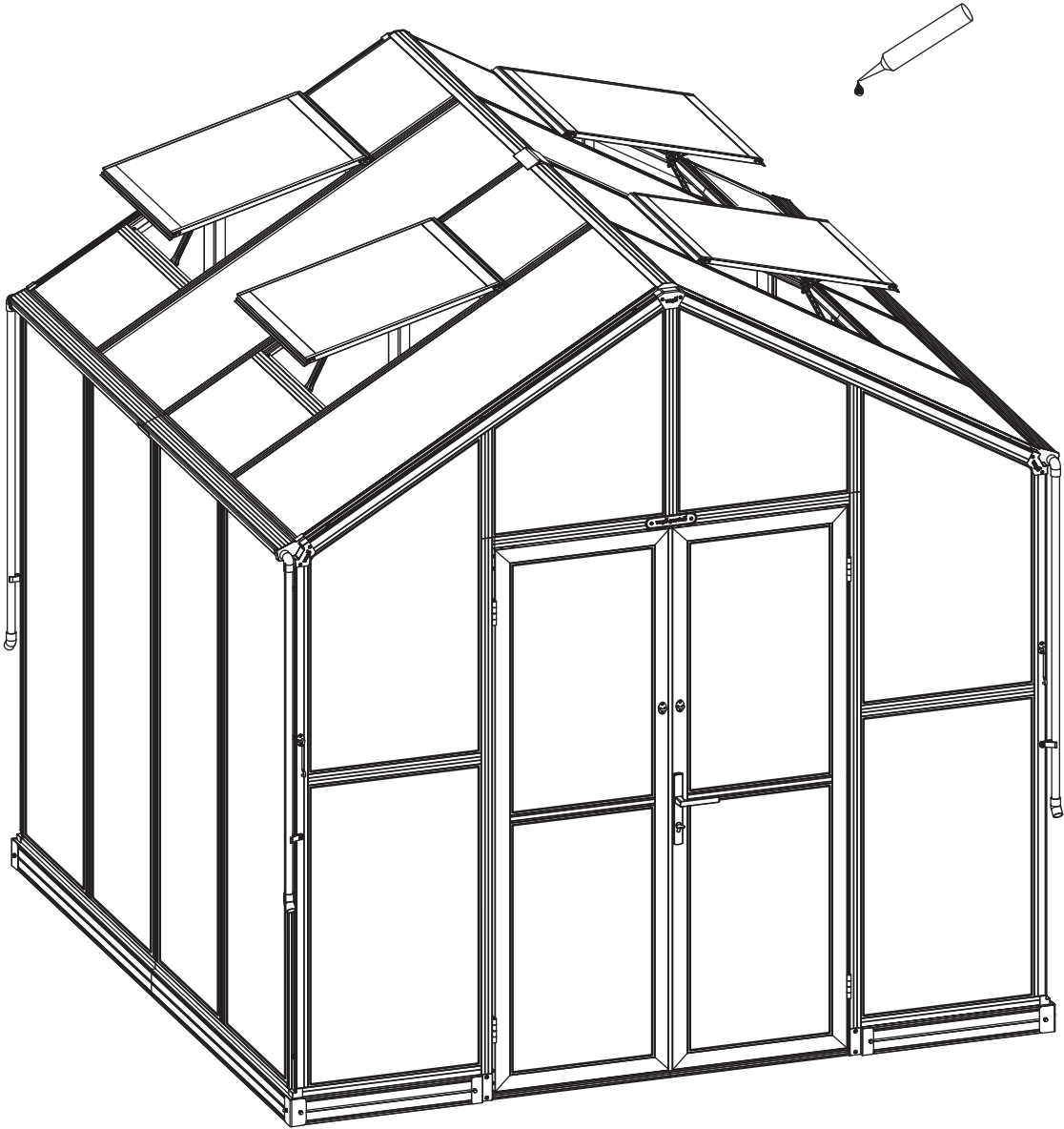


3





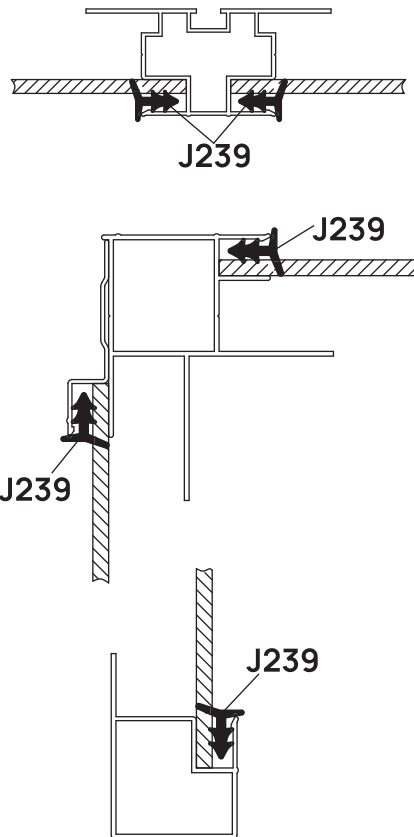
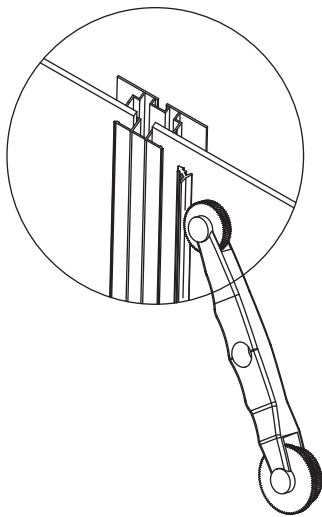
STEP
04

For PC wall panels, apply silicone caulk around all PC panels to ensure watertight sealing.

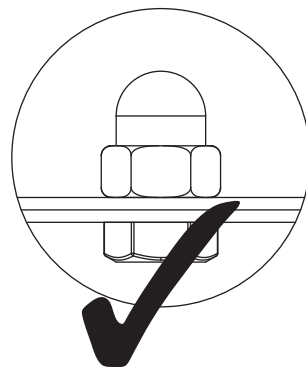
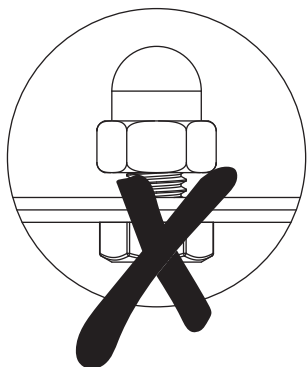


For glass wall panels, use the provided roller tool to press the J239 gasket firmly into the gap between the profile and the glass to ensure proper sealing.

BOX	PART	NO	QTY
GLBOX-1		J239	335ft
GLBOX-1		H246	1



Perform a final inspection of your greenhouse and ensure that all nuts are securely tightened.





**Gardening
Made Easier.
Anytime,
Anywhere.**

Contact Us



+1 (866) 597-1888



Vego Garden Academy



hello@vegogarden.com



vegogarden.com



vego_garden



Houston, TX