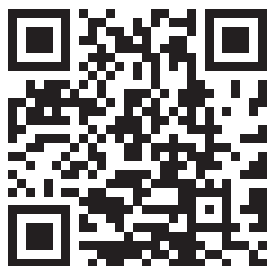
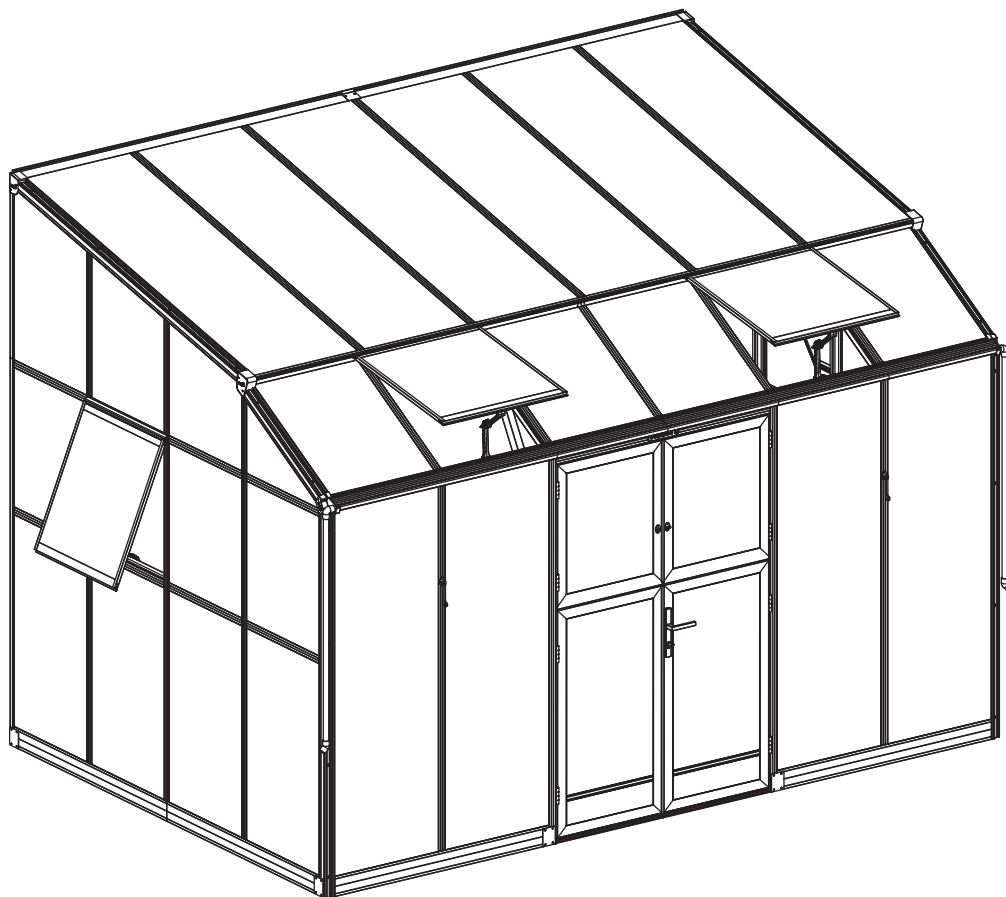




Manual for Vego Lean-To Greenhouse 8.5 X 12.5 ft.

Copyright © 2026 Vego



vegogarden.com

Model:
VGHLT0812

Dimensions:
8.5' X 12.5' X 9.2' (H)

S T E E T I N G I N S T R U C T I O N S

Safety Advice	03
Tools & Packing Information	03
Assembly & Maintenance	06
Wall-side and Ground Foundation Assembly	08
Wall Assembly	24
Roof Assembly	47
Gutter Assembly	69
Vent Assembly	73
Door Assembly	82
Final Assembly	95



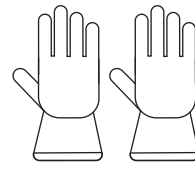
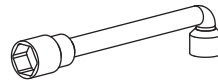
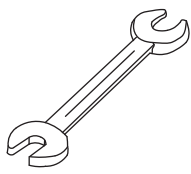
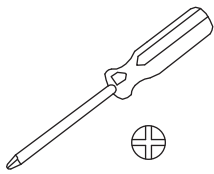
Safety Advice

1. This product is designed to be used as a greenhouse.
2. It is important to assemble the product according to this manual, do not skip or modify any steps.
3. Wear gloves, shoes and safety glasses during assembling to avoid injury.
4. Do not climb or stand on the roof.
5. Keep children away from the assembly area.
6. Do not assemble the product in windy, wet or bad weather conditions.
7. Do not assemble the product under the influence of medication, alcohol or drugs.

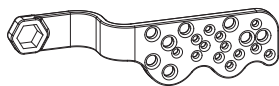


Tools & Packing Information

● Tools Provided



(Glass Model)



● Tools Required (Not Provided)



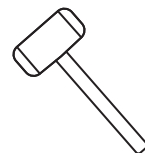
Painter's tape



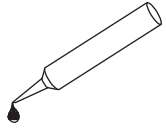
Tape measure



Scissors



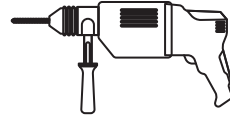
Rubber mallet



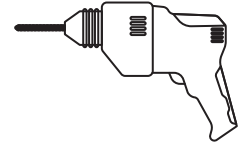
Silicone Caulk



Level



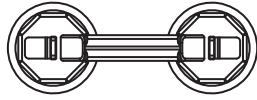
Hammer drill +
25/64 Drill bit
5/16" Drill bit



Cordless driver
- Philips head

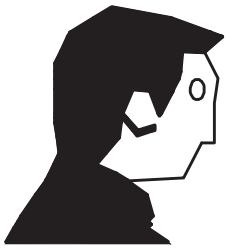


6ft Ladder

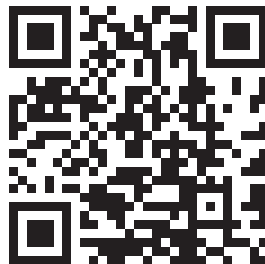


Glass suction tool
(Glass Model)

● 2+ Person Assembly



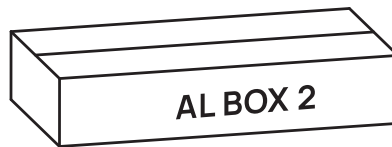
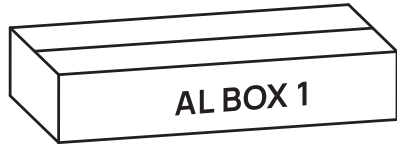
2+



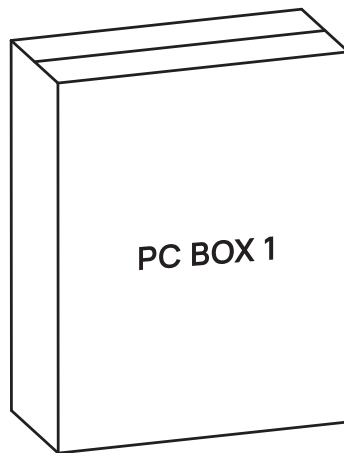
vegogarden.com

● Packing Information

Aluminum Frame & Hardware:



Full Polycarbonate Version:

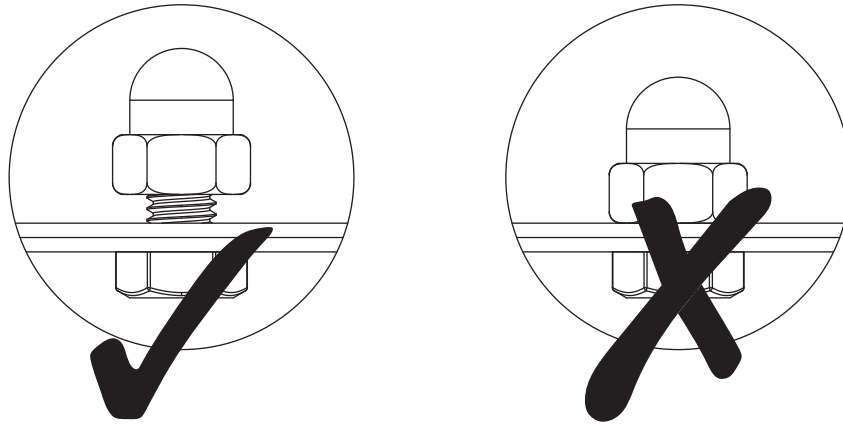


Packing List:

Please refer to documents provided in the boxes.

Assembly & Maintenance

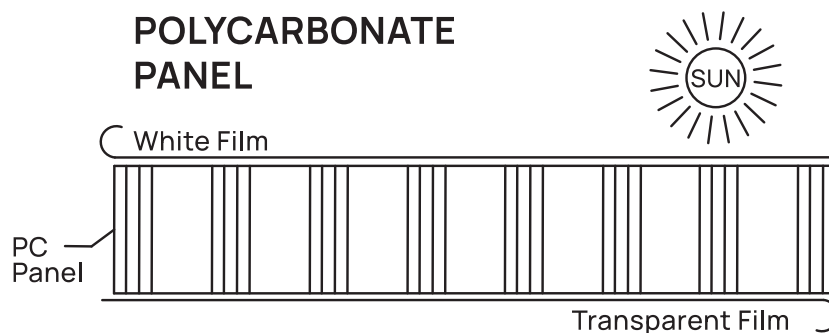
1. Place the parts on a soft surface to avoid scratches and damage.
2. Loosely tighten bolts as you assemble. After the greenhouse is built, and still loosely connected, tighten all bolts completely.



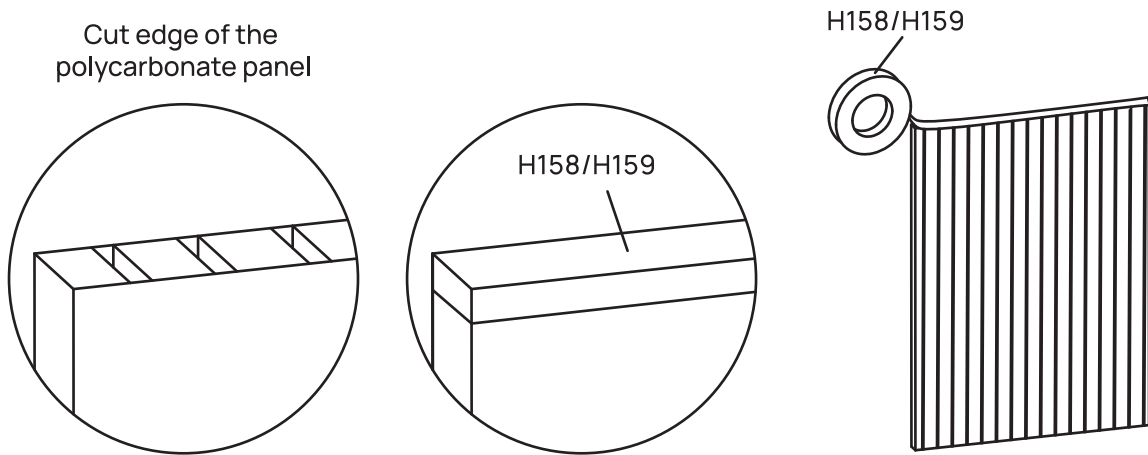
3. Keep the roof and gutters clear of snow, dirt and leaves in order to avoid damage to the product.
4. Clean the product with a mild soap and rinse with cold, clean water.
5. Do not use acetone, abrasive cleaners, or other special detergents to clean the product.

For PC Panels

6. Remove the clear film prior to assembly. The white film indicates the UV-Protected side of the panels. Peel back the white film to expose only the edges (until the panels are in place) to ensure that the UV-Protected side is facing outwards in final assembly.

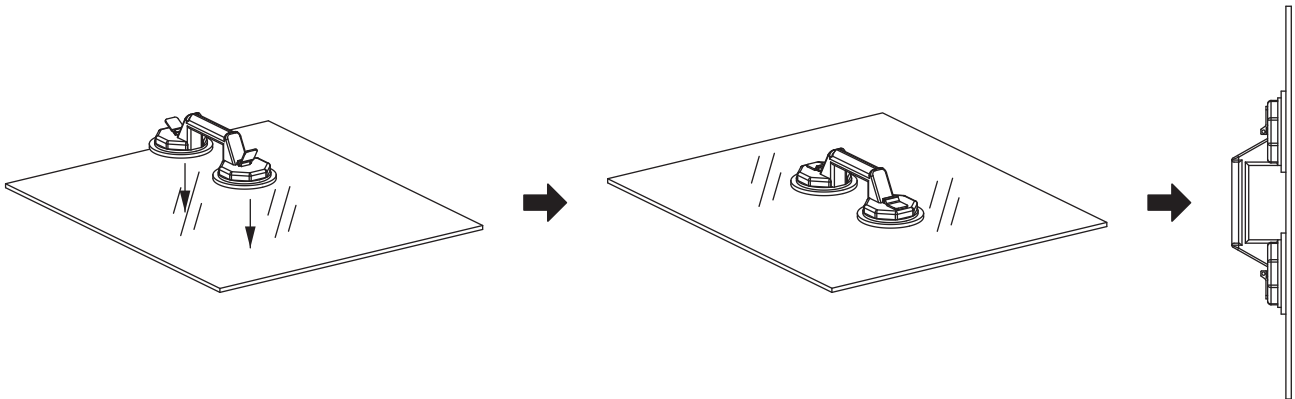


7. Cover the two cut edges of the PC panels with the provided tape before installation to seal the channels & prevent moisture from getting trapped inside.

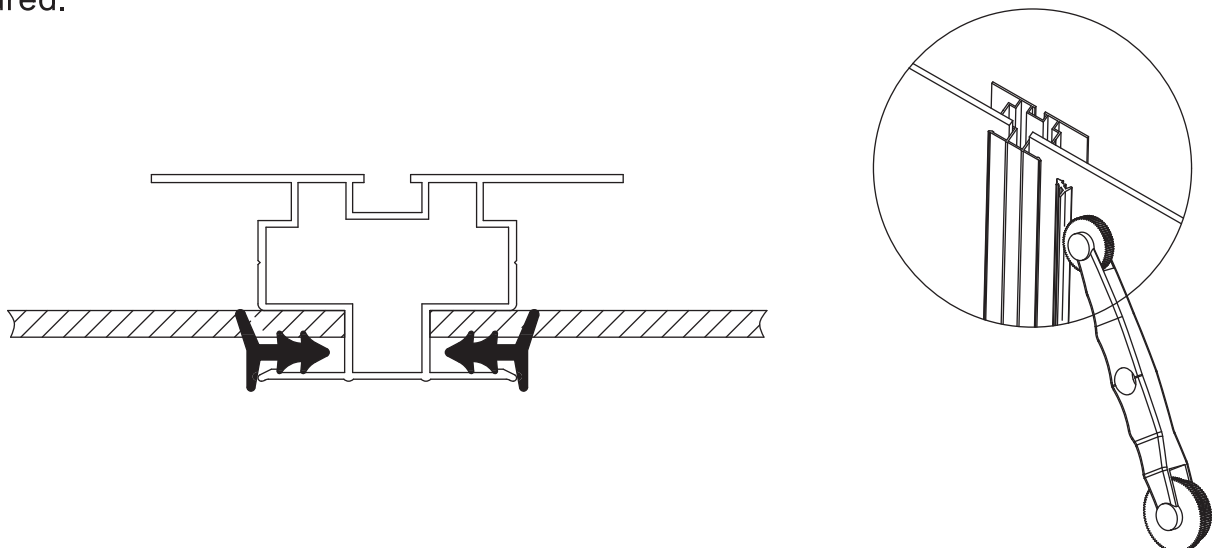


For Glass Panels

8. Use a glass suction tool (not included) for easier and safer installation of glass panels. Ensure all surfaces are clean, dry, and free from oil or dirt before use. Refer to your tool's manual for detailed instructions.



9. After the glass panels are positioned, use the provided roller tool to press the sealing strip into the gap between the glass and the frame, ensuring it is firmly secured.



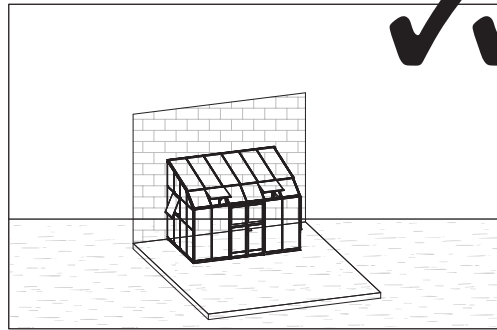
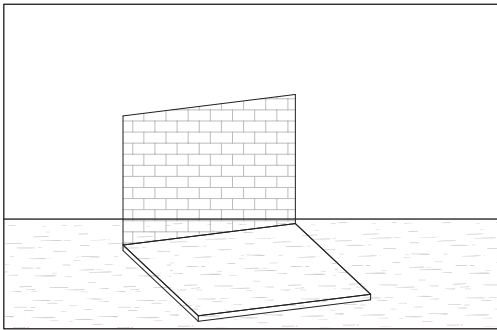


Wall-side and Ground Foundation Assembly

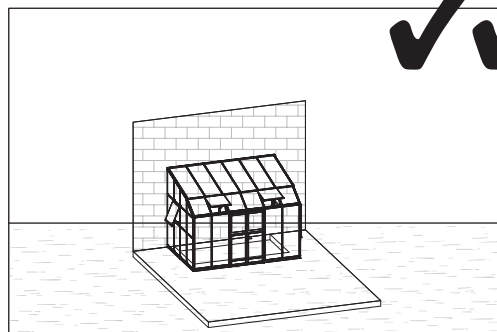
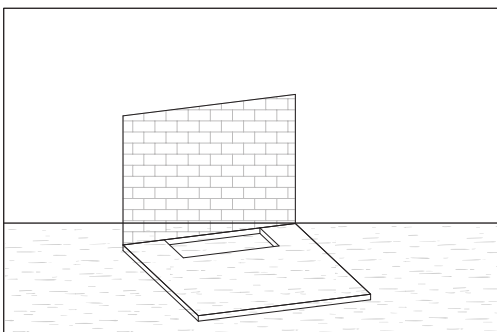
STEP 01

Choose a hard, clean, and level surface to position your greenhouse. Ensure the wall is perpendicular to the ground at a 90° angle. If the selected area is not level, clear and level it before beginning.

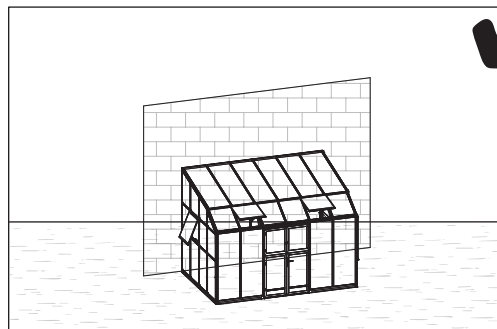
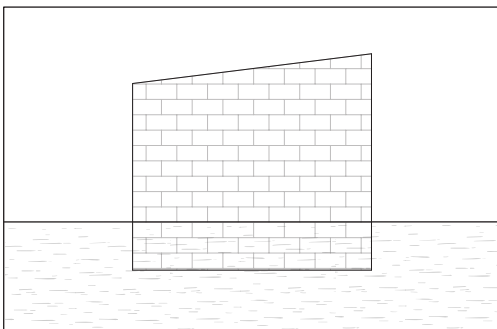
● Option 1: Solid foundation



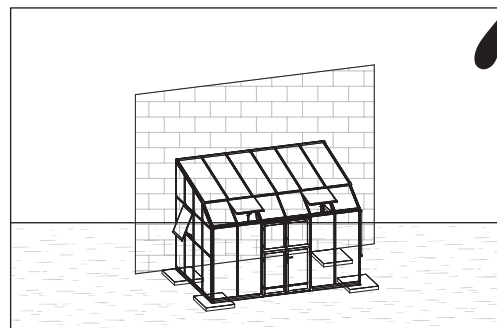
● Option 2: Solid frame



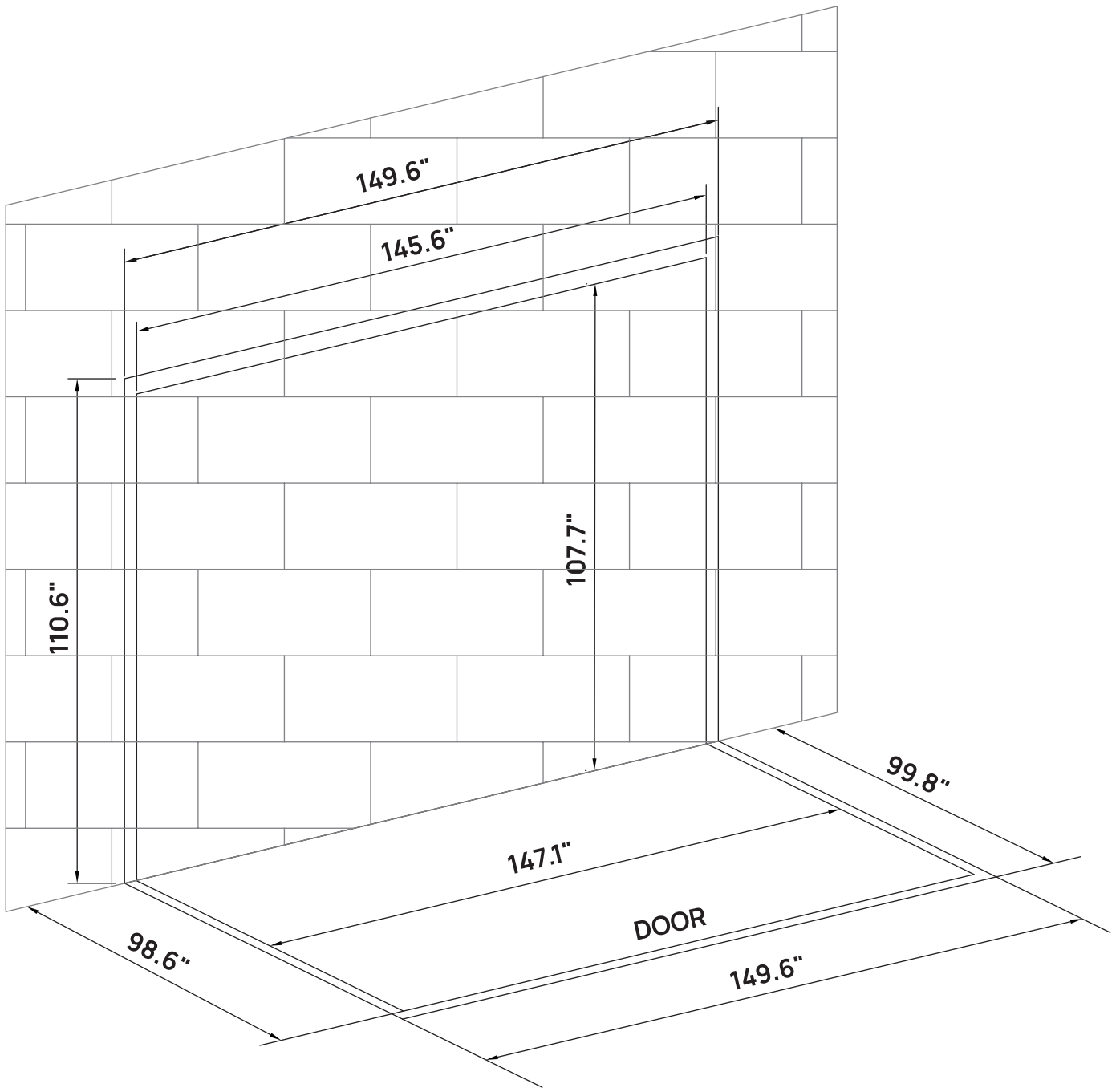
● Option 3: Firm ground / grass



The size of the greenhouse displayed is for illustrative purposes only and may not reflect the size of your greenhouse.




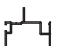
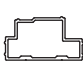



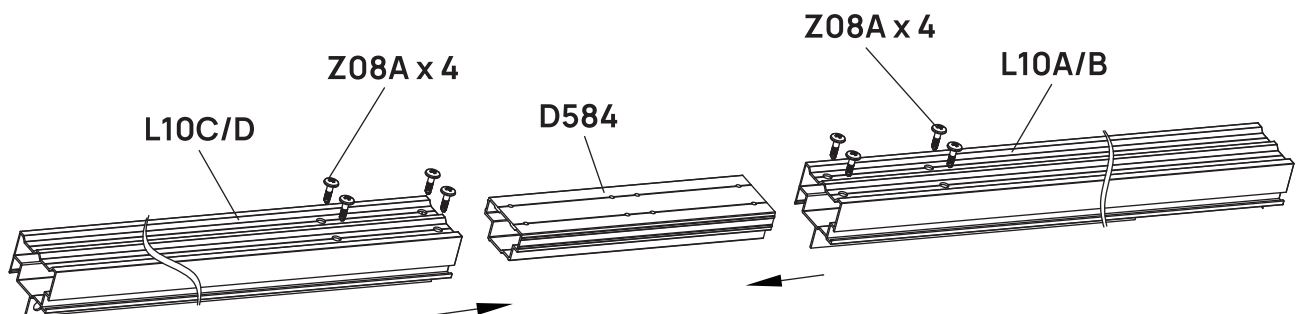
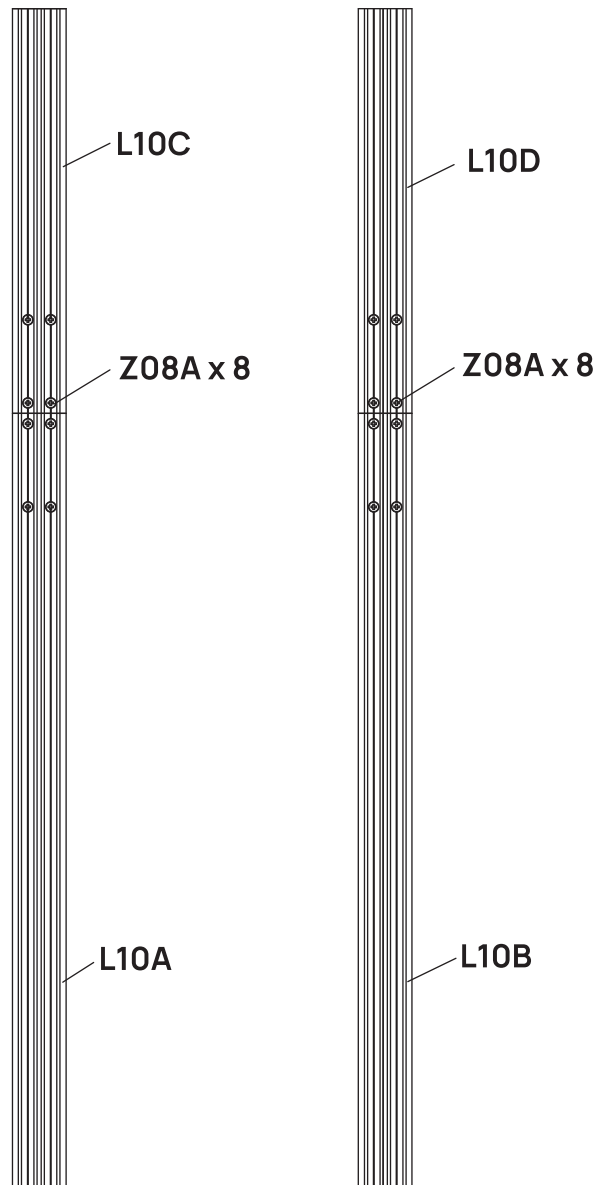
Foundation Dimensions



STEP
02

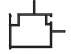
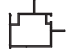




Assemble 2 sets of L10 wall frame pieces as shown, using D584 connectors and Z08A screws.

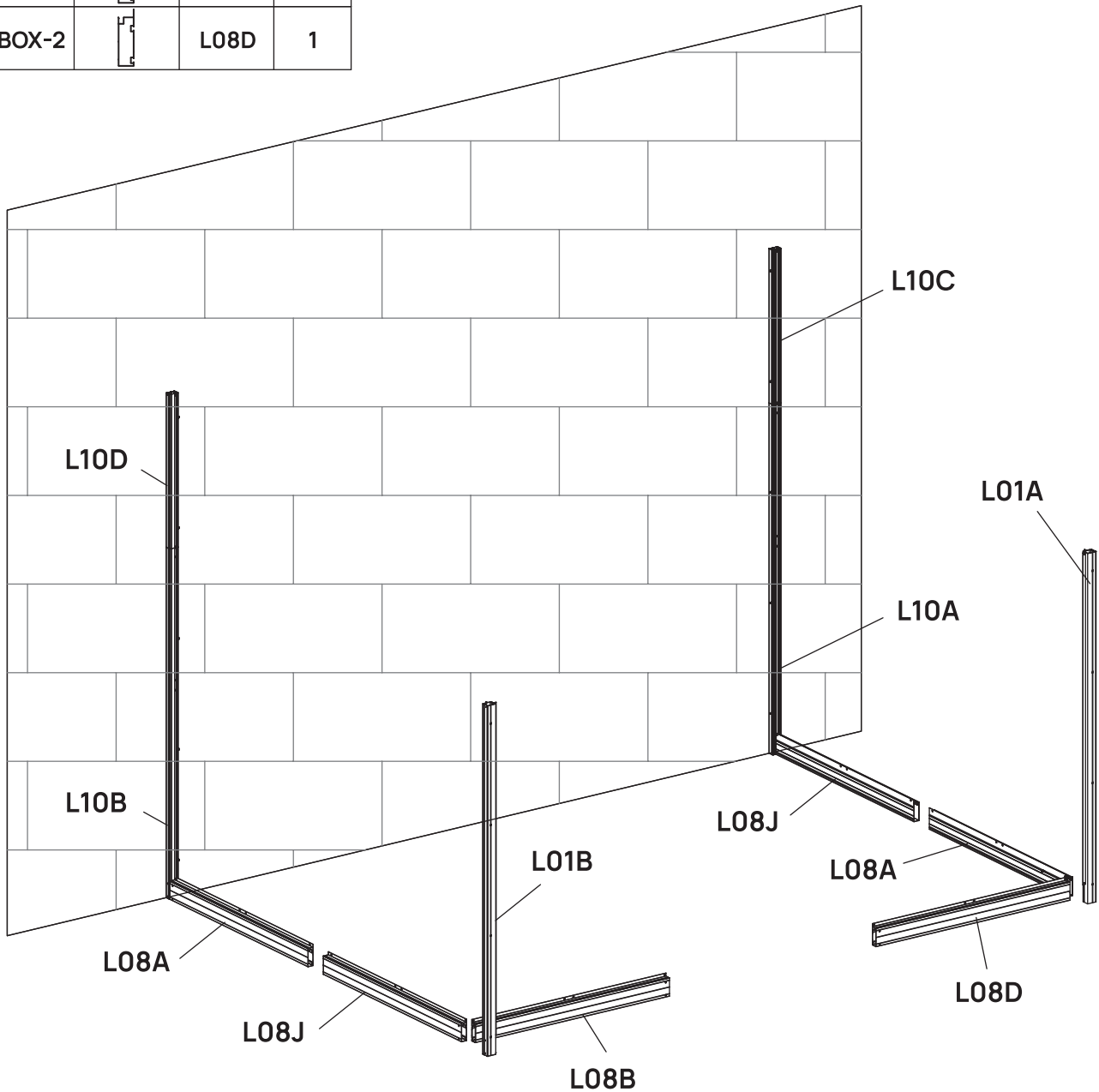
BOX	PART	NO	QTY
ALBOX-1		L10A	1
ALBOX-1		L10B	1
ALBOX-3		L10C	1
ALBOX-3		L10D	1
ALBOX-3		D584	2
ALBOX-3		Z08A Ø4.2X16	16



STEP
03

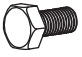
Lay out the foundation pieces and vertical frames as diagramed, using the door location as a reference.

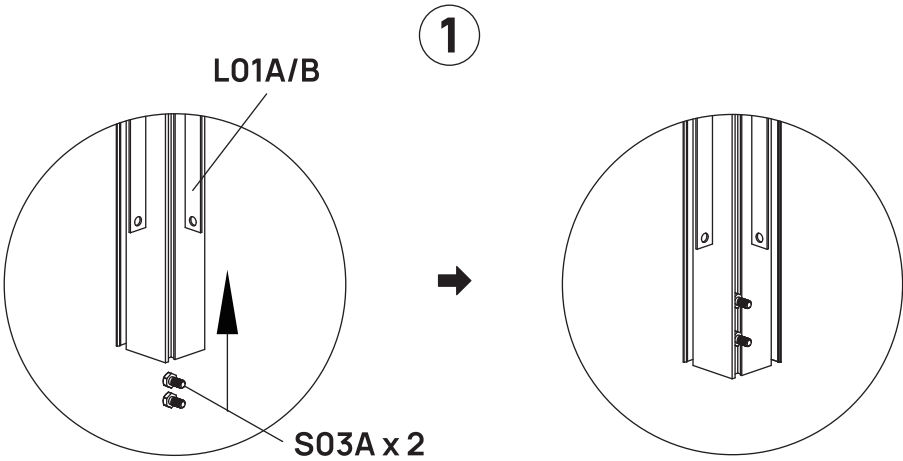
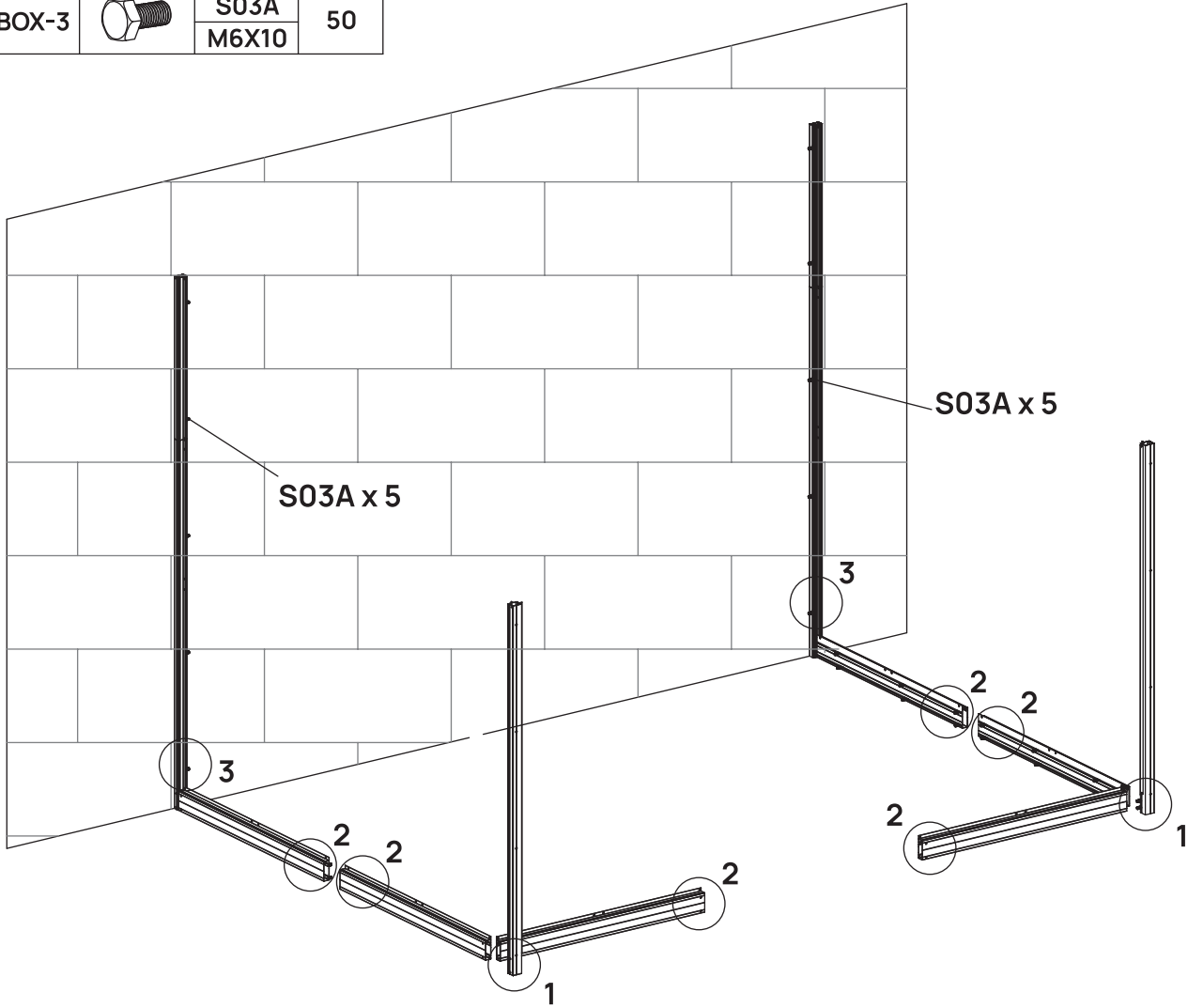
BOX	PART	NO	QTY
ALBOX-1		L01A	1
ALBOX-1		L01B	1
ALBOX-2		L08A	2
ALBOX-2		L08J	2
ALBOX-2		L08B	1
ALBOX-2		L08D	1



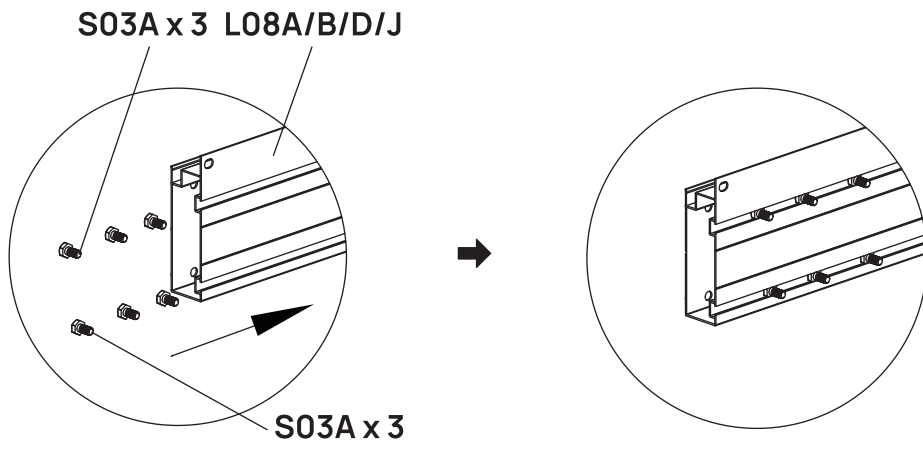
STEP
04

Slide the required number of S03A bolt heads into the grooves of the corresponding frames as shown.

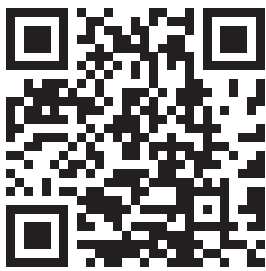
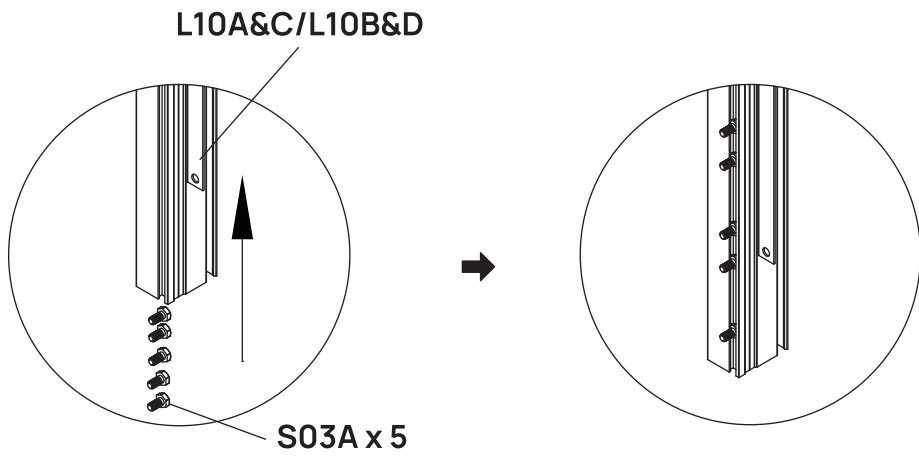
BOX	PART	NO	QTY
ALBOX-3		S03A M6X10	50



2



3


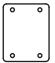


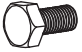




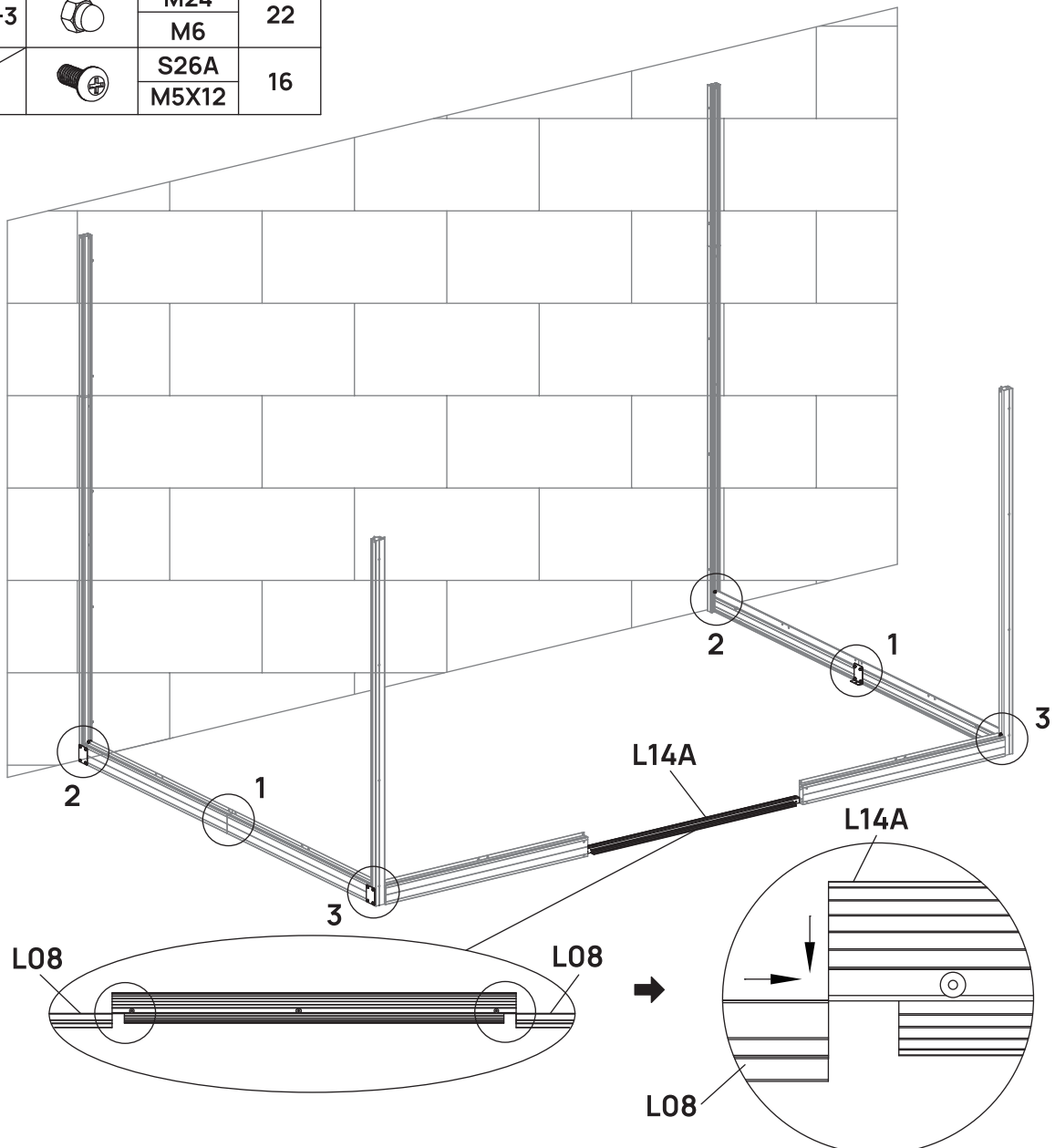
vegogarden.com

STEP
05

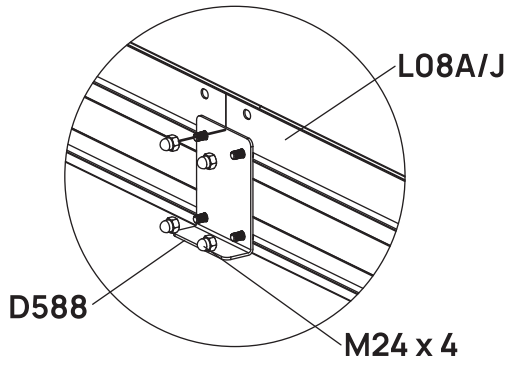
Connect the frames with connecting plates as shown, using S03A and S26A bolts. Secure with cap nuts.

Align the L14A threshold piece with foundation frame as shown, leave it unsecured until the L02 door frames are installed.

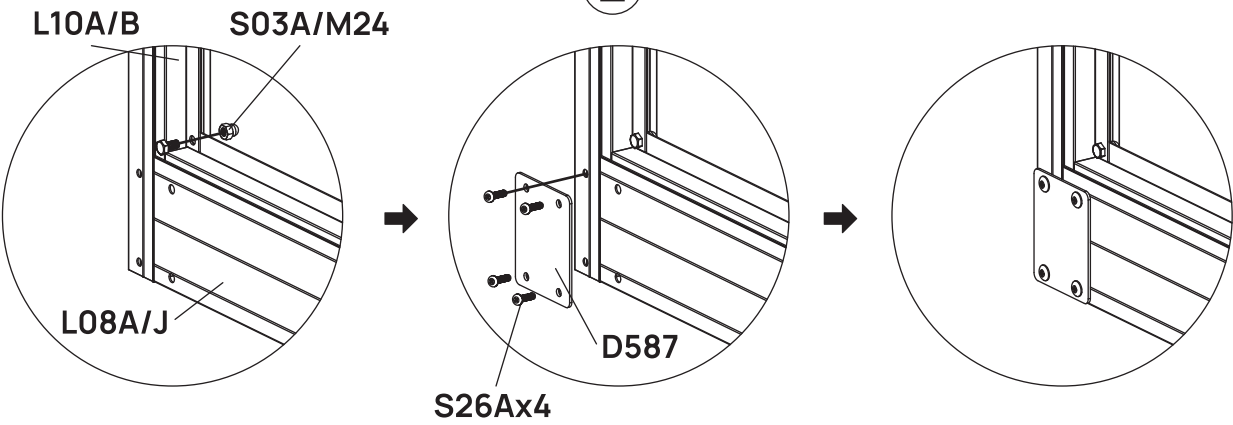
BOX	PART	NO	QTY
ALBOX-2		L14A	1
ALBOX-3		D587	4
ALBOX-3		D588	2
ALBOX-3		D591	2
ALBOX-3		S03A M6X10	6
ALBOX-3		M24 M6	22
		S26A M5X12	16



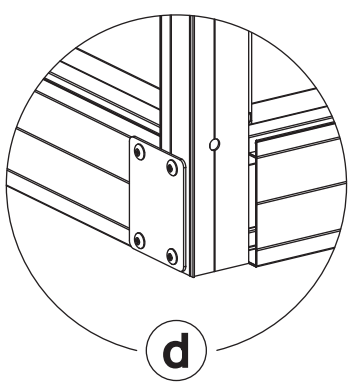
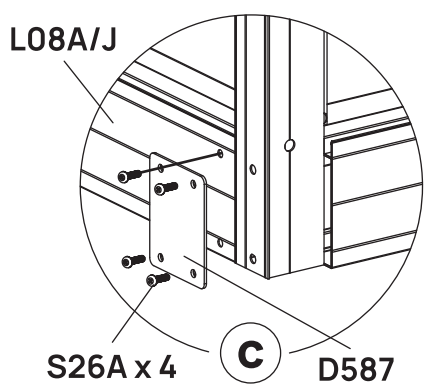
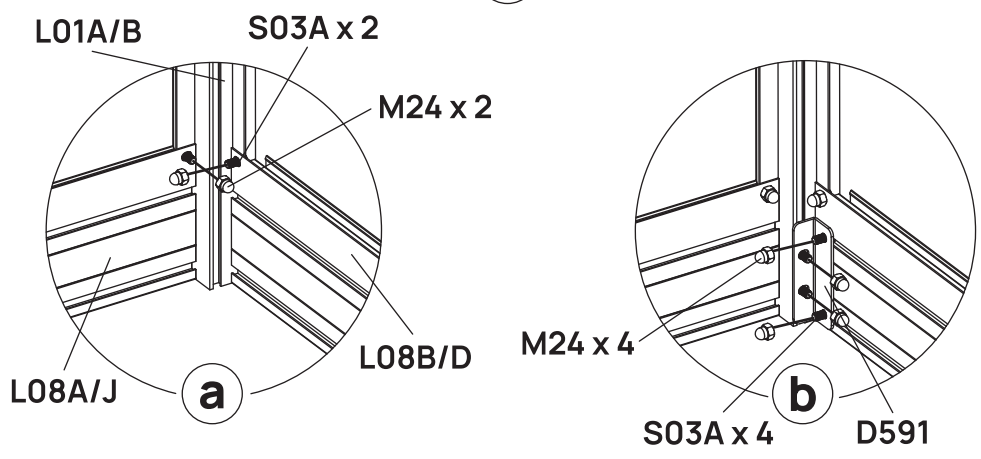
1



2







3

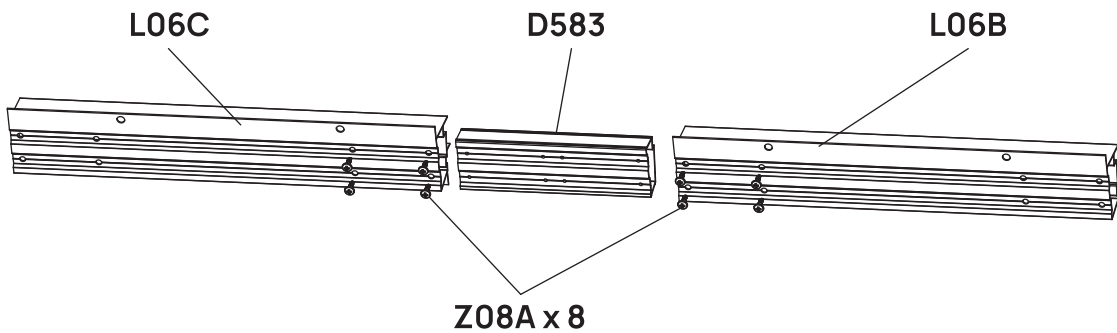
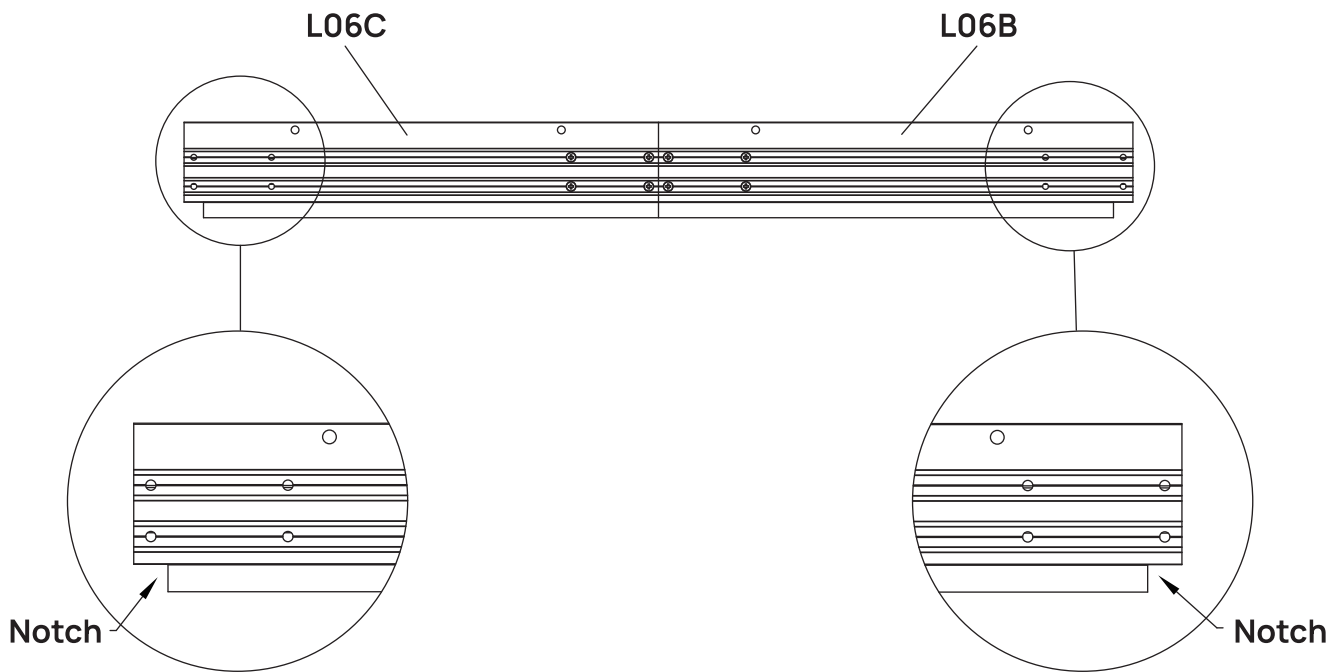


STEP
06

Assemble L06 ledger board piece as shown, using D583 connectors and Z08A screws.




Note: The ends with the notch face outward and downward.

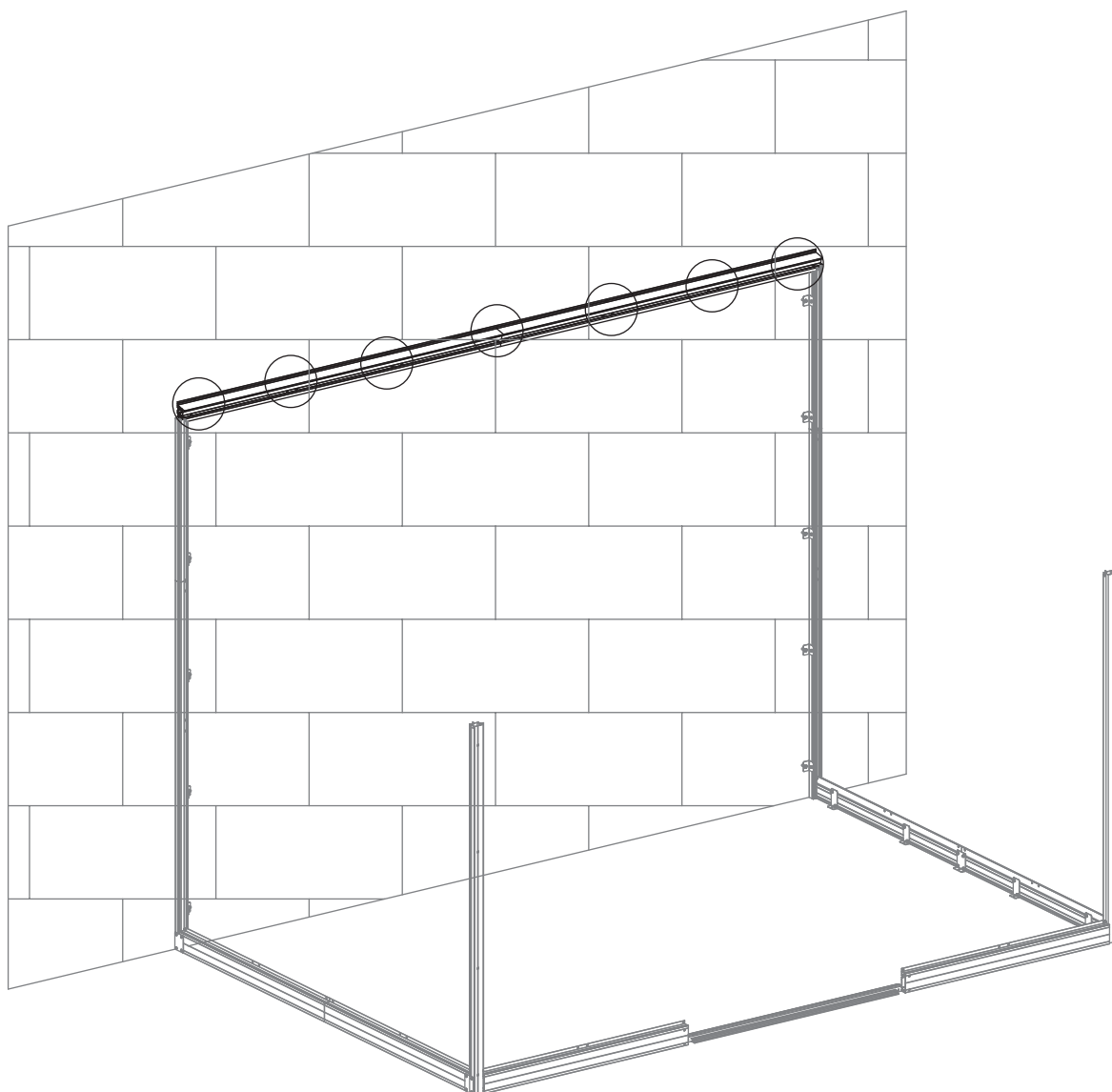
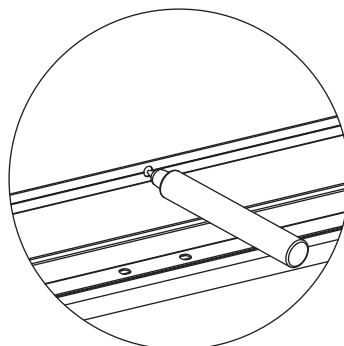
BOX	PART	NO	QTY
ALBOX-1		L06B	1
ALBOX-1		L06C	1
ALBOX-3		D583	1
ALBOX-3		Z08A	8
		Ø4.2X16	



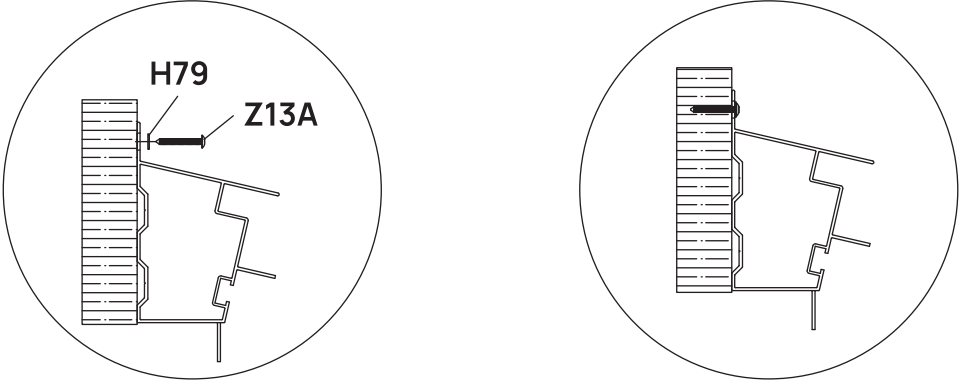
STEP
07

Use L06 piece as template and mark anchor holes on the wall.

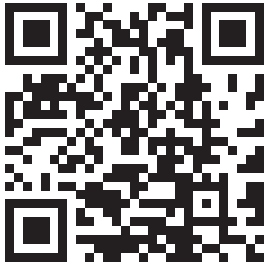
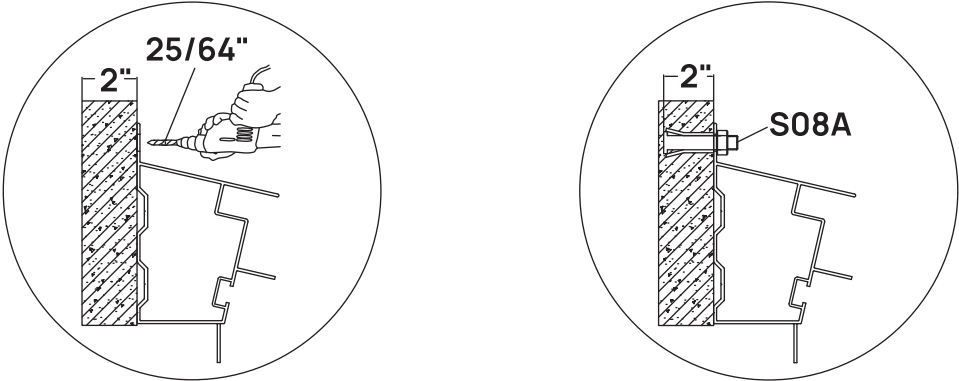
BOX	PART	NO	QTY
ALBOX-3		S08A M8X60	8
ALBOX-3	 Ø6.5X16X1.2	H79	8
ALBOX-3		Z13A Ø5X40	8



a. For wood surfaces, use Z13A wood screws and H79 washers to affix the ledger board to the wall.





b. For cement and brick surfaces, drill holes at a 2" depth with a hammer drill and 25/64" drill bit. Insert S08A expansion bolts to the holes, then secure the ledger board with the included nuts.

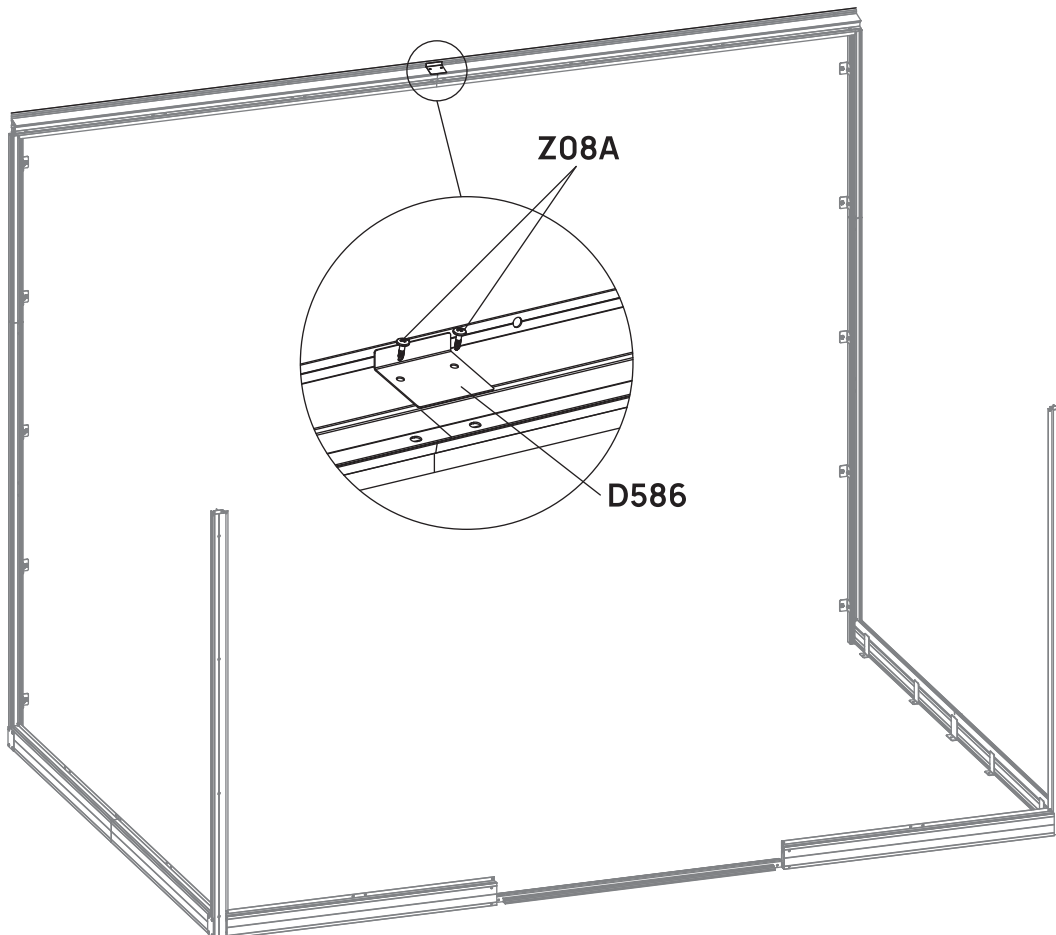
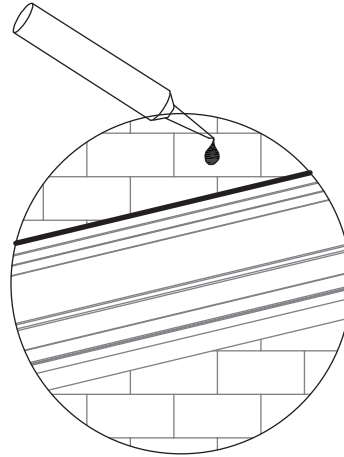


vegogarden.com

STEP
08

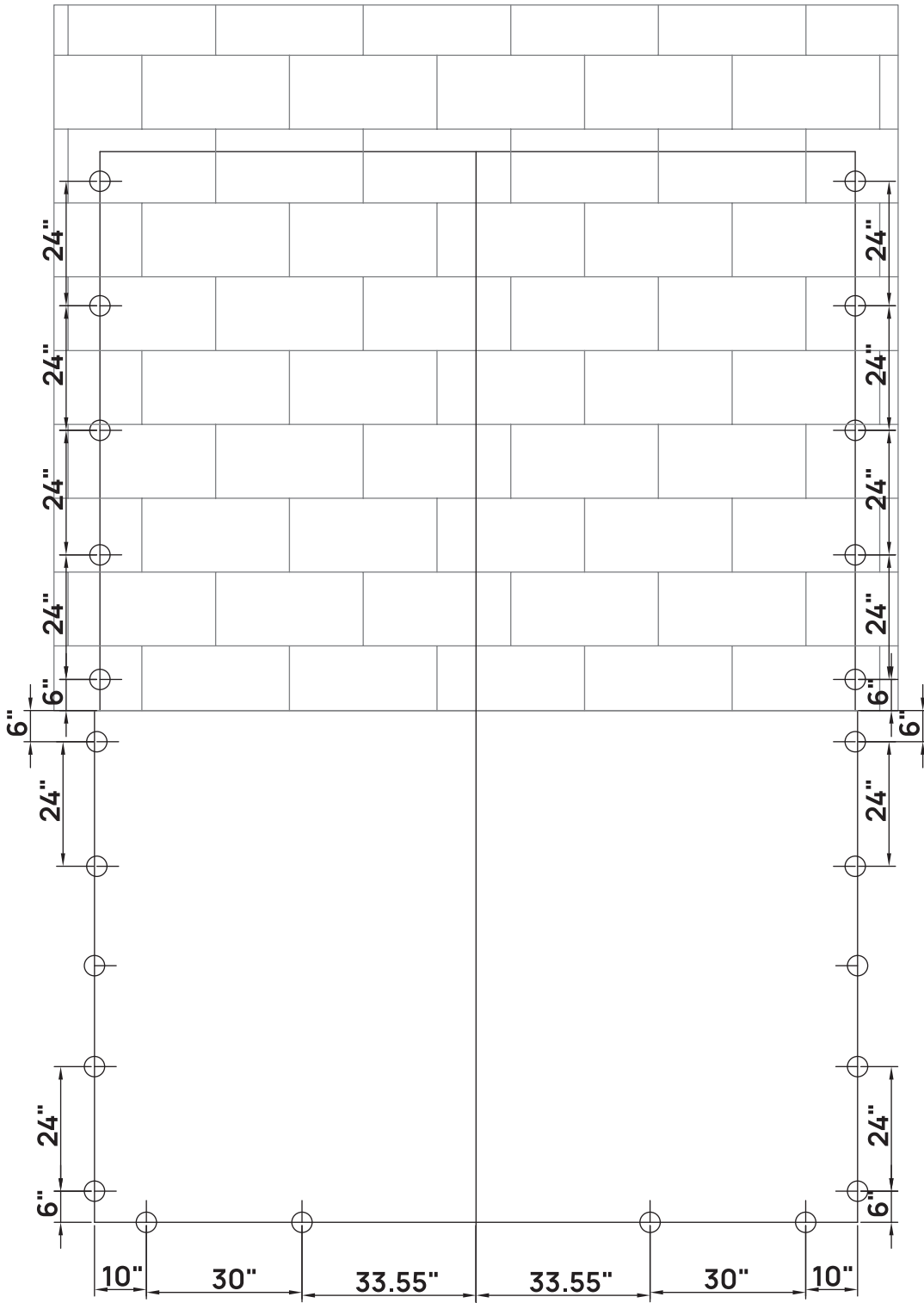
Assemble D585 reinforce connecting plate as shown, using Z08A screws.
Apply silicone caulk (not included) along the gap between the ledger board and wall for waterproof sealing.

BOX	PART	NO	QTY
ALBOX-3		D586	1
ALBOX-3		Z08A Ø4.2X16	2









STEP
09

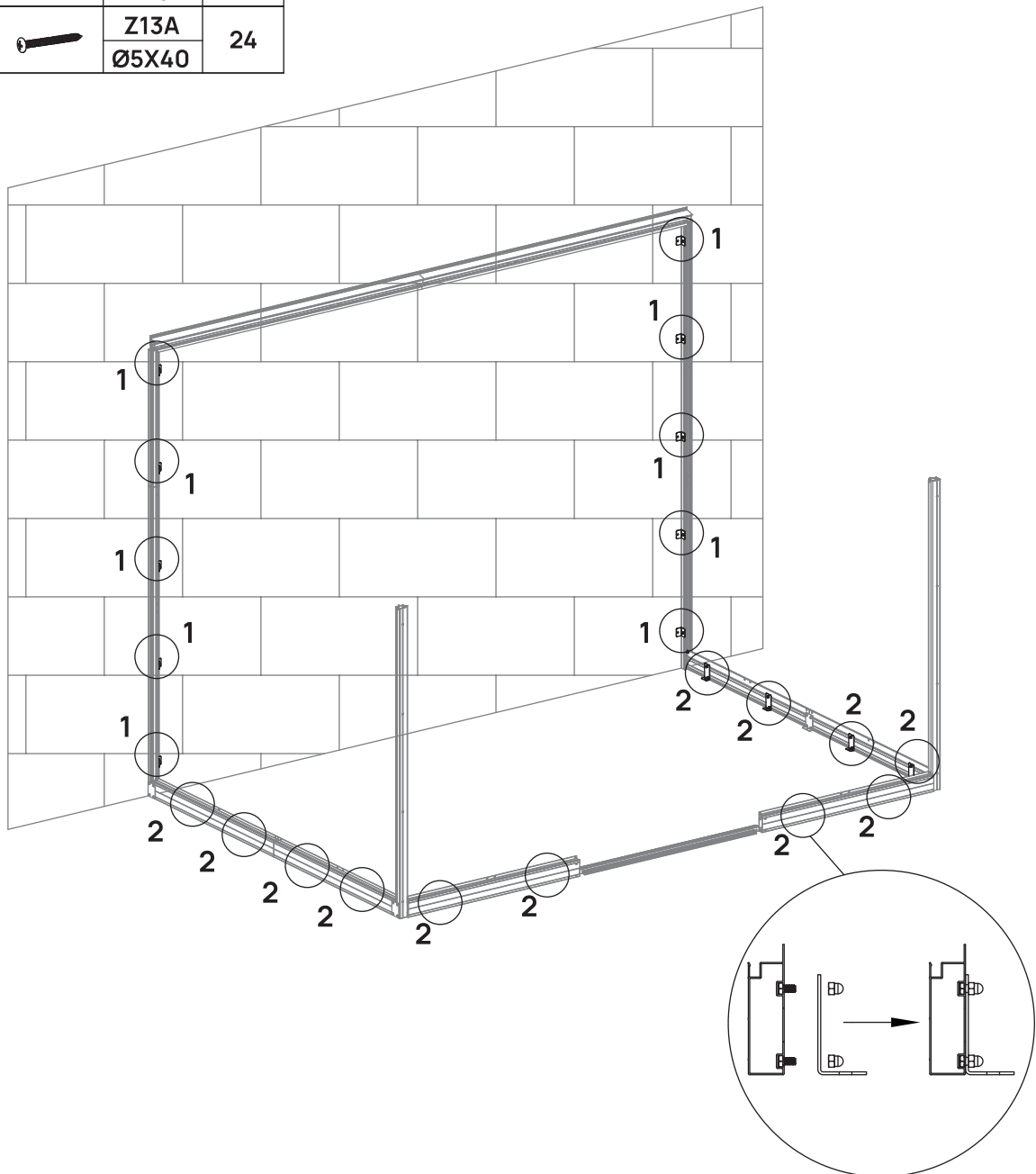
Mark anchor holes on the ground and wall per the template below.



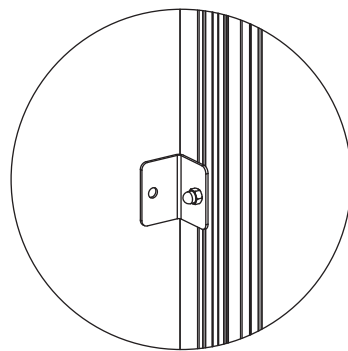
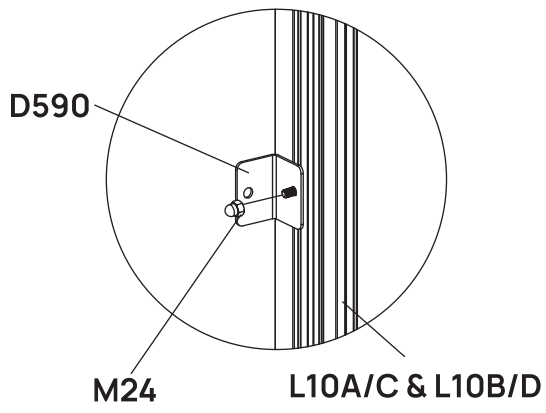
STEP
10

Secure the foundation frames to the floor and wall at the marked anchor hole locations, using the D589 and D590 brackets and pre-installed S03A bolts.

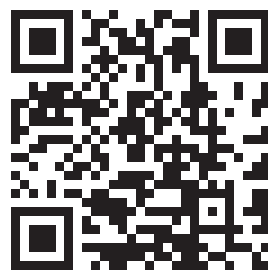
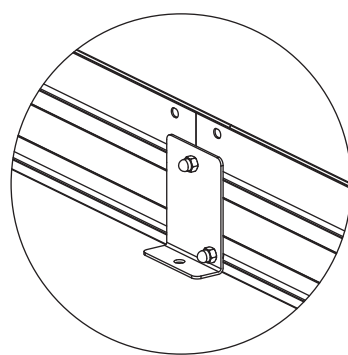
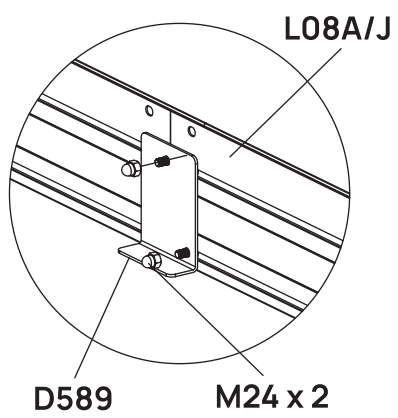
BOX	PART	NO	QTY
ALBOX-3		D590	10
ALBOX-3		D589	12
ALBOX-2		S08A M8X60	24
ALBOX-3	 Ø6.5X16X1.2	H79	24
ALBOX-3		M24 M6	34
ALBOX-3		Z13A Ø5X40	24



1

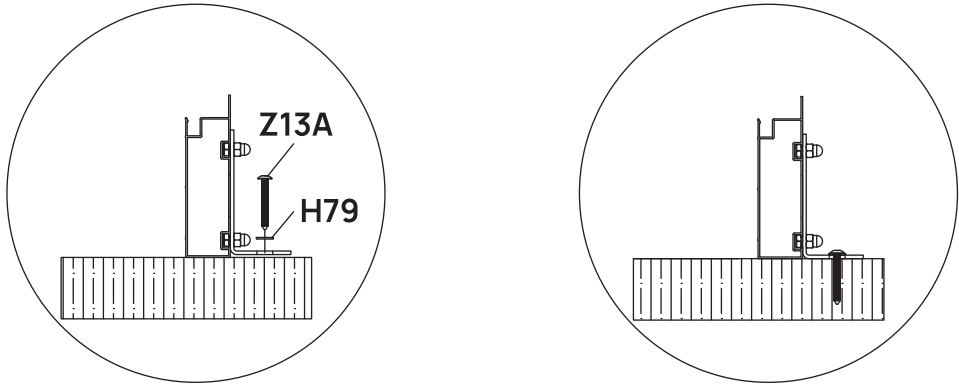


2

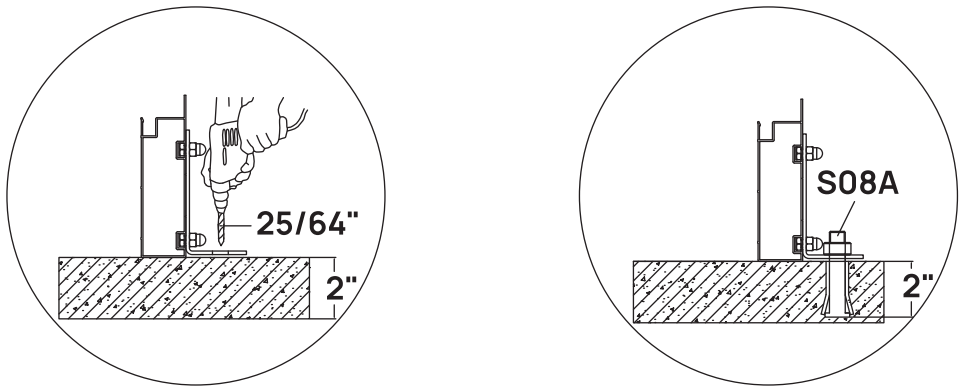


vegogarden.com

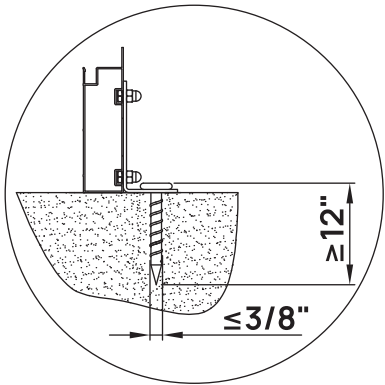
a. For wood surfaces, use Z13A wood screws and H79 washers to affix the base through the D589/D590 bracket to the ground and wall.



b. For cement and brick surfaces, drill holes at a 2" depth with a hammer drill and 25/64" drill bit. Insert S08A expansion bolts to the holes, then attach D589/D590 bracket using the included nuts.



c. For bare ground installation, purchase heavy duty landscape stakes at least 12 long with a diameter of $\leq 3/8$ ". Drive the stakes through the brackets and into the soil.

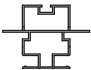
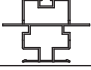


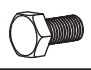



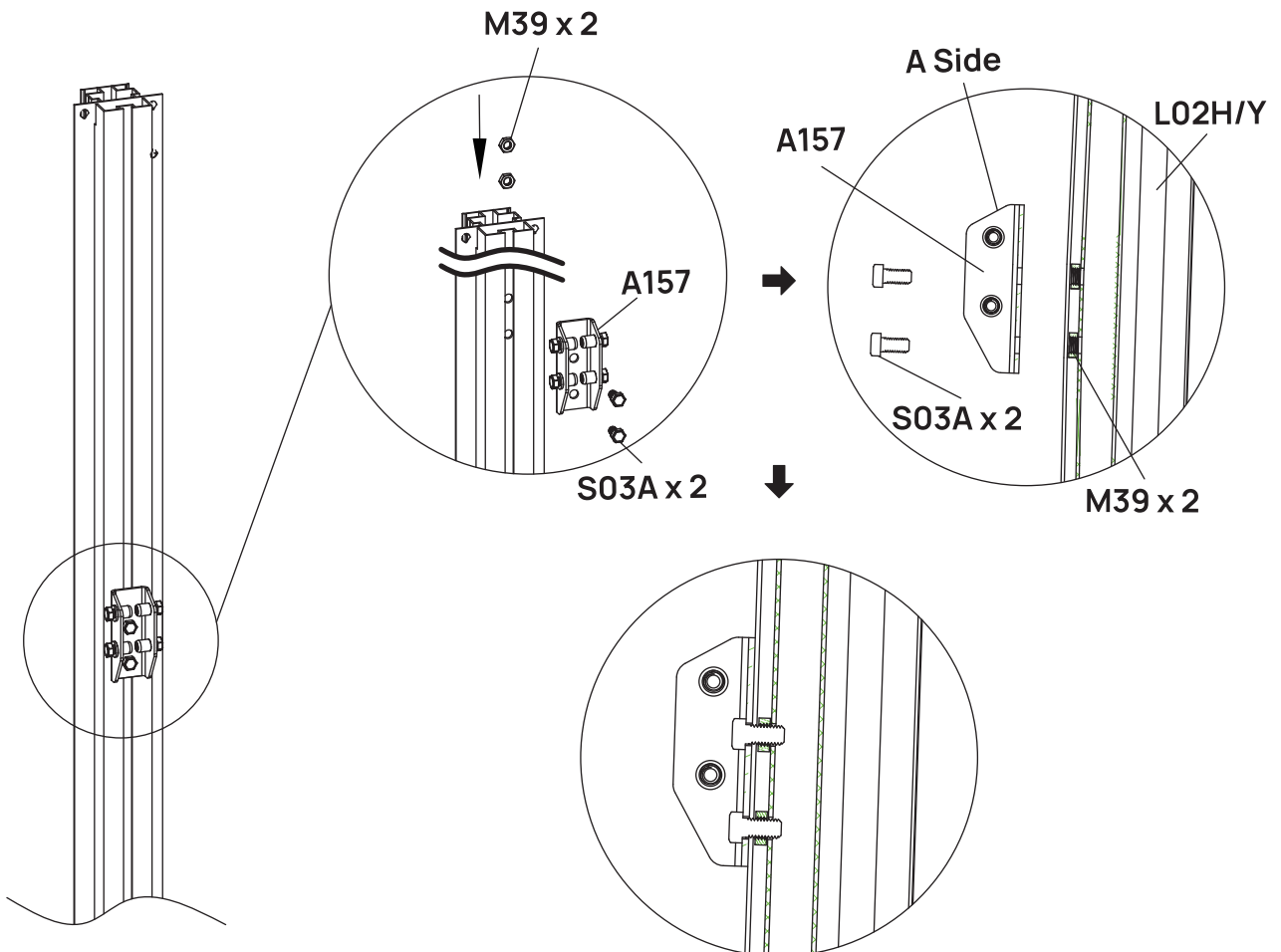
Wall Assembly

STEP 01

Slide 2 M39 nuts into the groove of L02H/Y frame, aligning them with the positioning holes inside the groove.

Attach the A157 bracket, secure it using S03A bolts into the M39 nuts and groove holes.

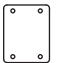
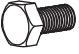


BOX	PART	NO	QTY
ALBOX-1		L02Y	1
ALBOX-1		L02H	1
ALBOX-3		D587	2
ALBOX-3		A157	2
ALBOX-3		S03A M6X10	4
ALBOX-3		M39 M6	4

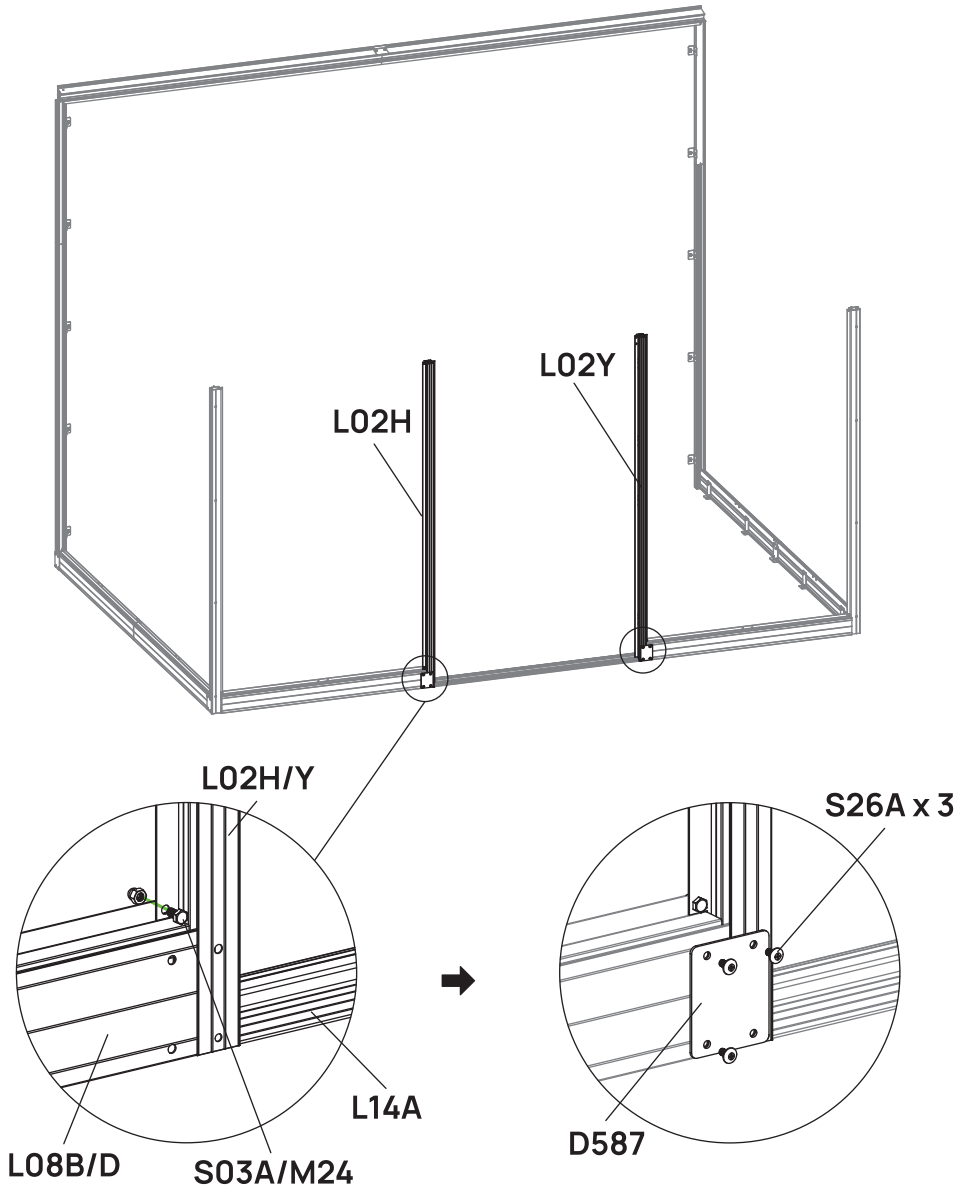
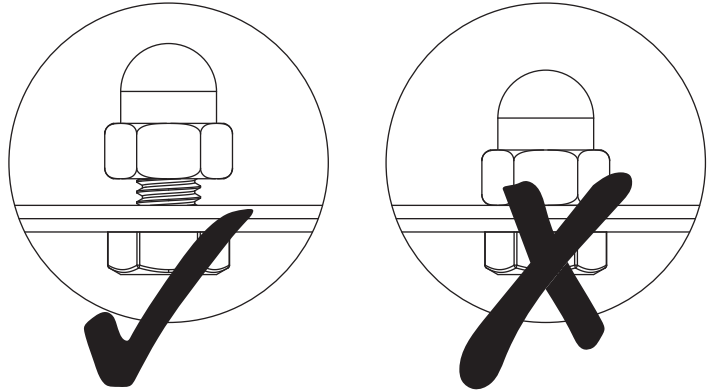


STEP
02

Attach L02H/L02Y door frames to the foundation base, using D587 connecting plates as shown.





Note: Do not fully tighten the bolts and nuts at this stage until the greenhouse is fully assembled.

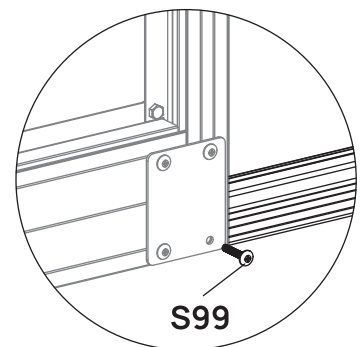
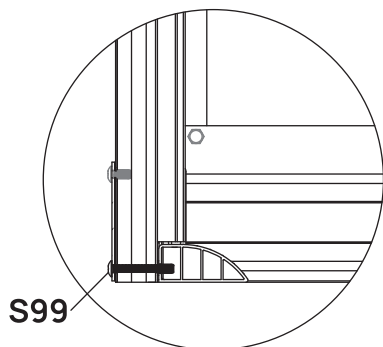
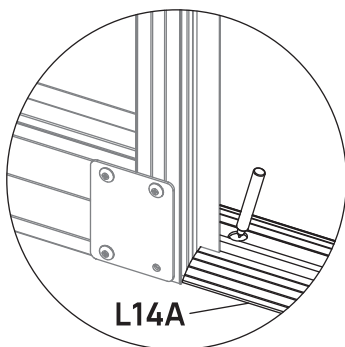
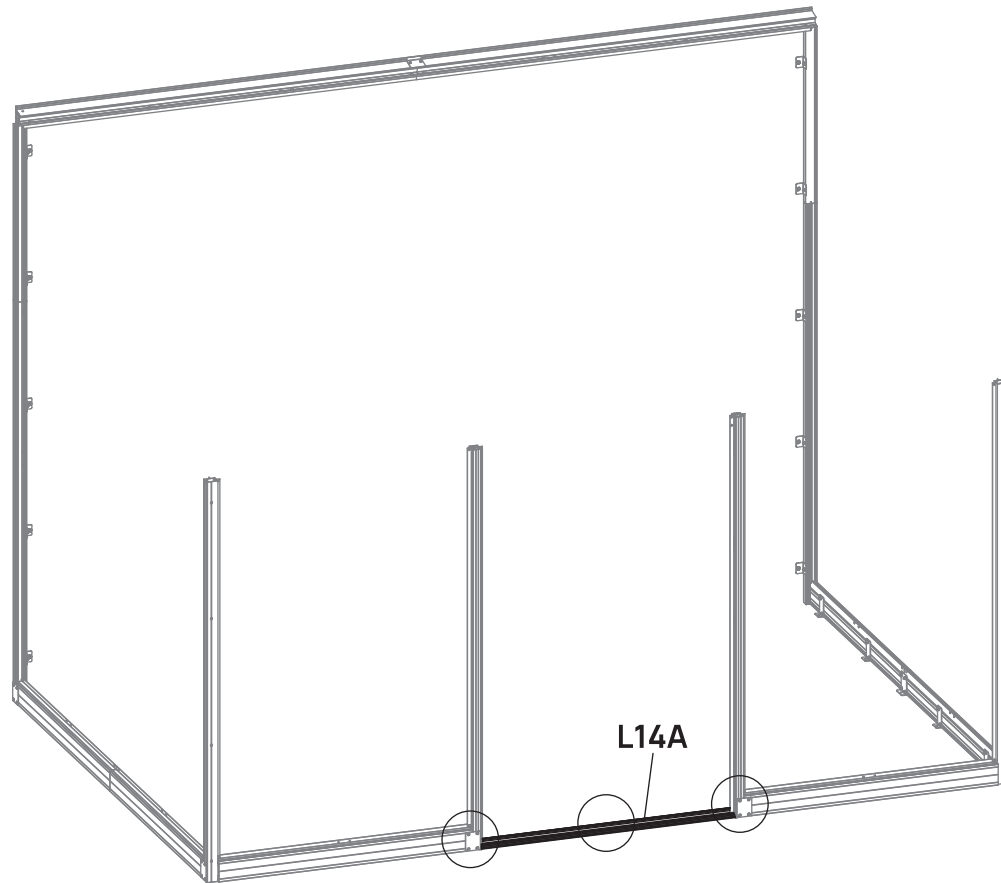
BOX	PART	NO	QTY
ALBOX-3		D587	2
ALBOX-3		S03A M6X10	2
ALBOX-3		M24 M6	2
Pre-installed		S26A M5X12	6



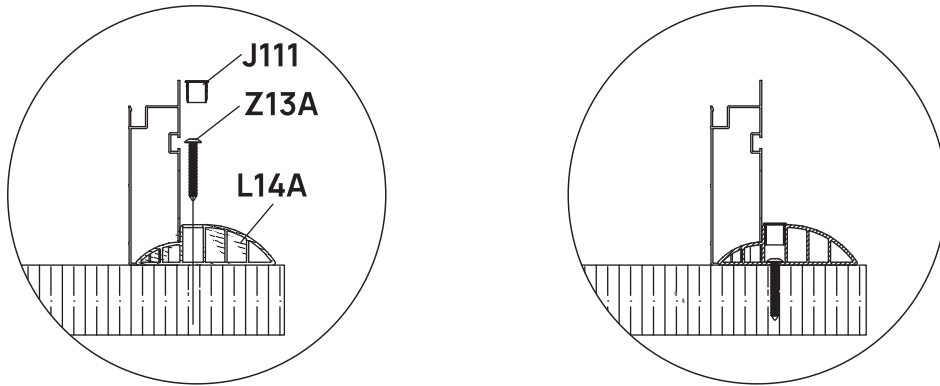
STEP
03

Make a mark through each of the three holes of the threshold, then secure the threshold using appropriate anchoring methods based on the installation surfaces as following.

BOX	PART	NO	QTY
ALBOX-3		J111	2
ALBOX-3		J129	3
ALBOX-3		Z13 Ø5X40	3
ALBOX-3		S99 M5X45	2

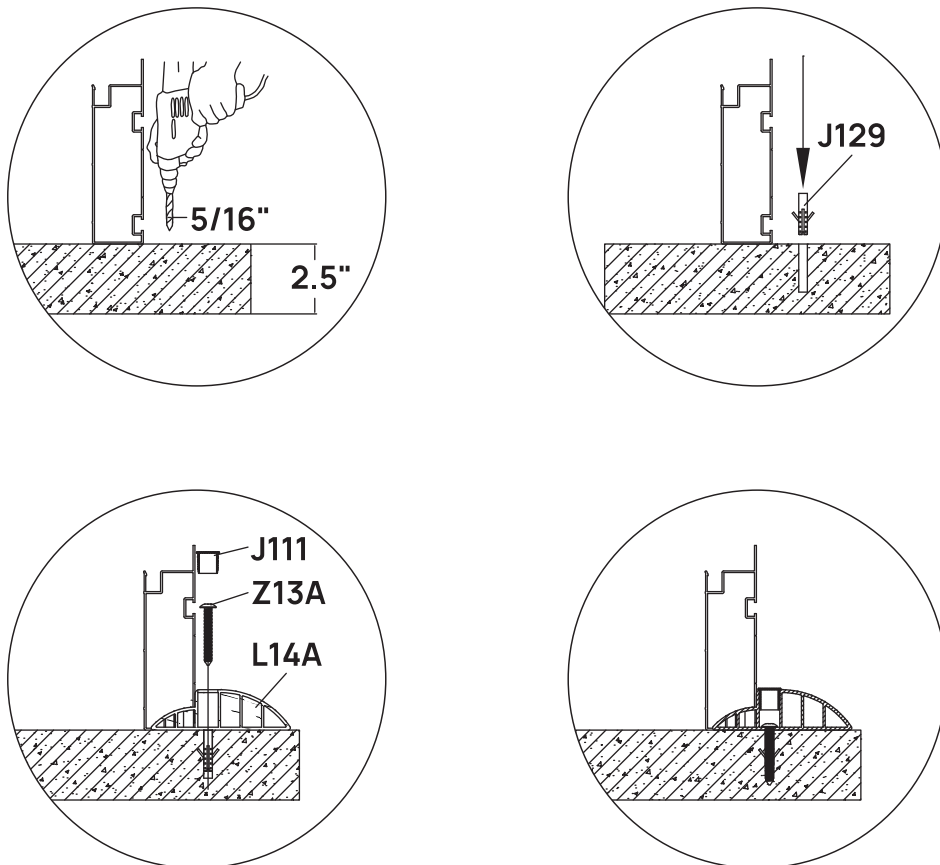


a. For wood surfaces, use Z13A screws to affix the threshold directly to the ground.



b. For cement surfaces, remove the threshold piece, drill pilot holes at 2.5" depth with a 5/16" drill bit, insert J129 expansion anchors into the holes, then use Z13A screws to affix threshold back to the ground.

c. Finally use J111 caps to seal the holes.





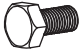



Note: The middle hole is not equipped with J111.

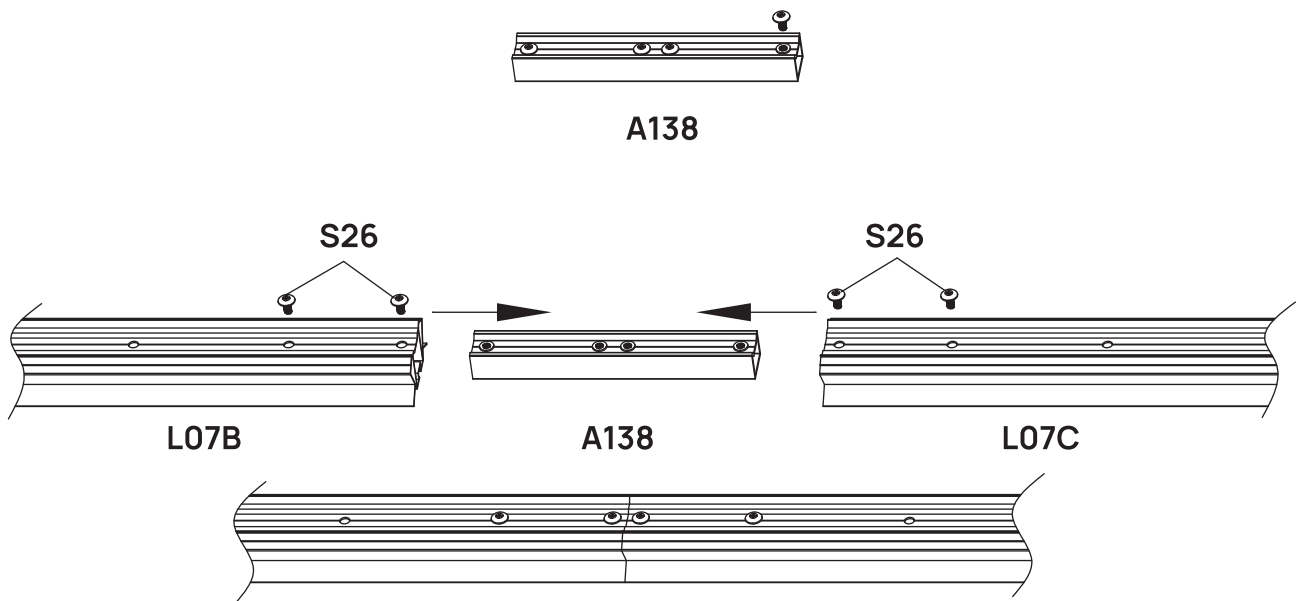
STEP
04

Assemble the L07 eave frame as shown using the A138 connectors and removed S26A bolts.

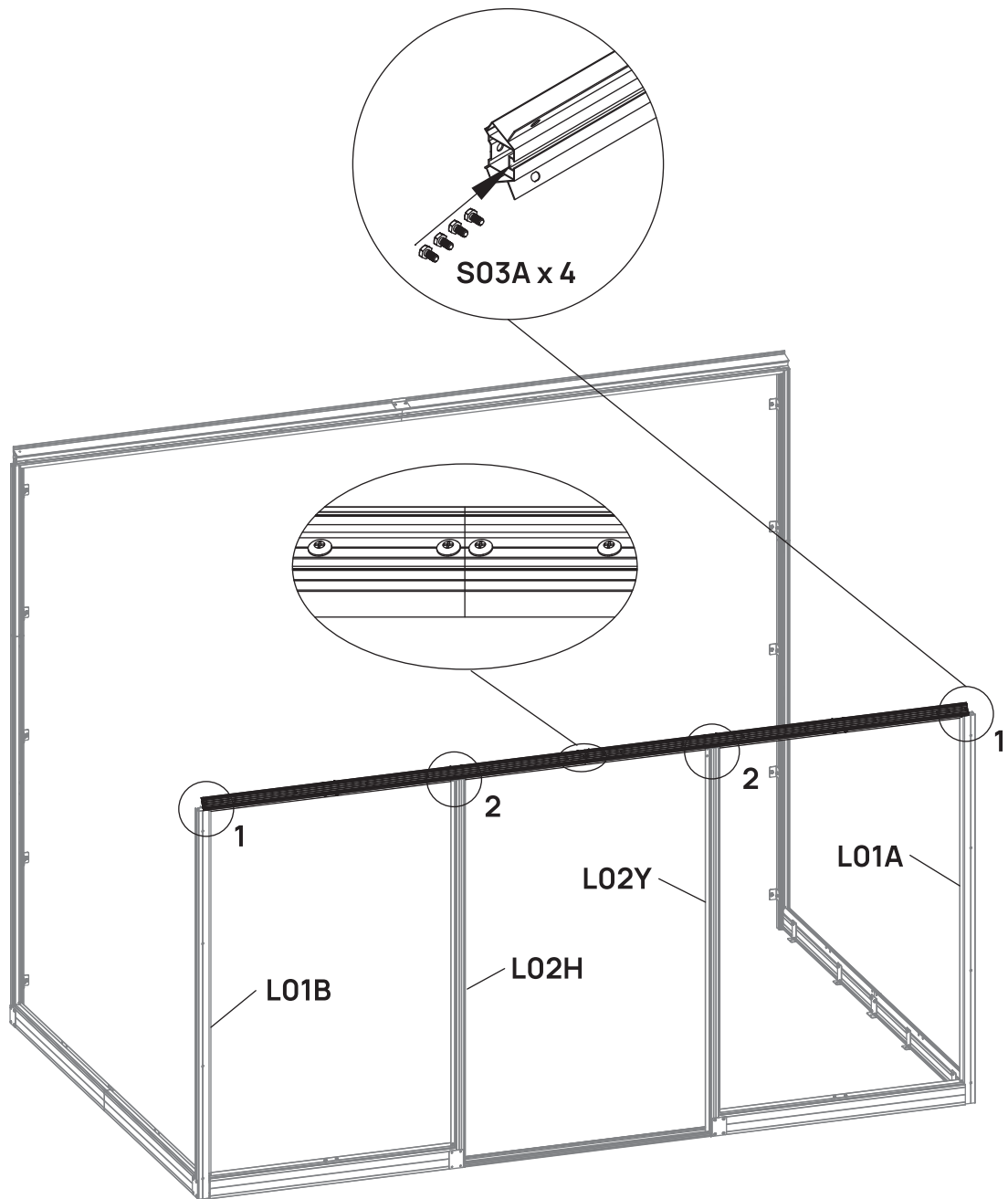
Attach the assembled eave frame to the vertical frames. Then slide four S03A bolts into the grooves of the L07B/L07C profiles for vent installation in later steps.

BOX	PART	NO	QTY
ALBOX-1		L07B	1
ALBOX-1		L07C	1
ALBOX-3		A138	1
Pre-installed		S26A M5X12	4
ALBOX-3		S03A M6X10	10
ALBOX-3		M24 M6	6

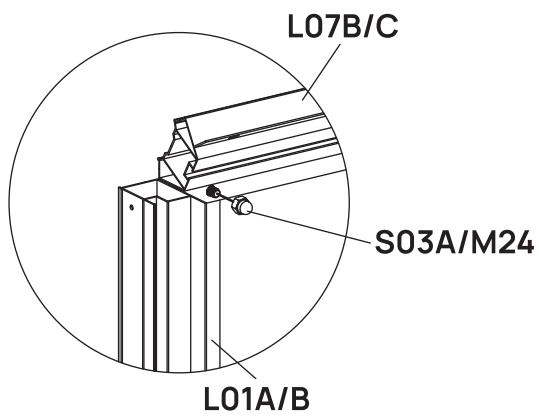
Remove the pre-installed S26 from A138.



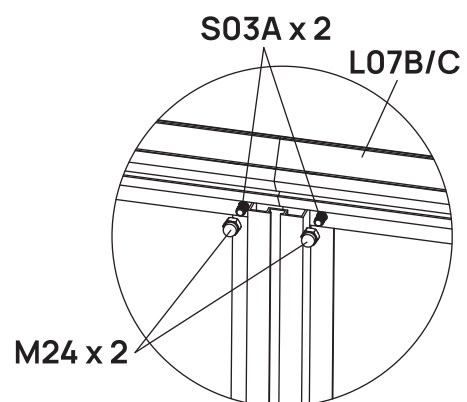
Note: Ensure the groove for the S03A bolts face the interior of the greenhouse.



1












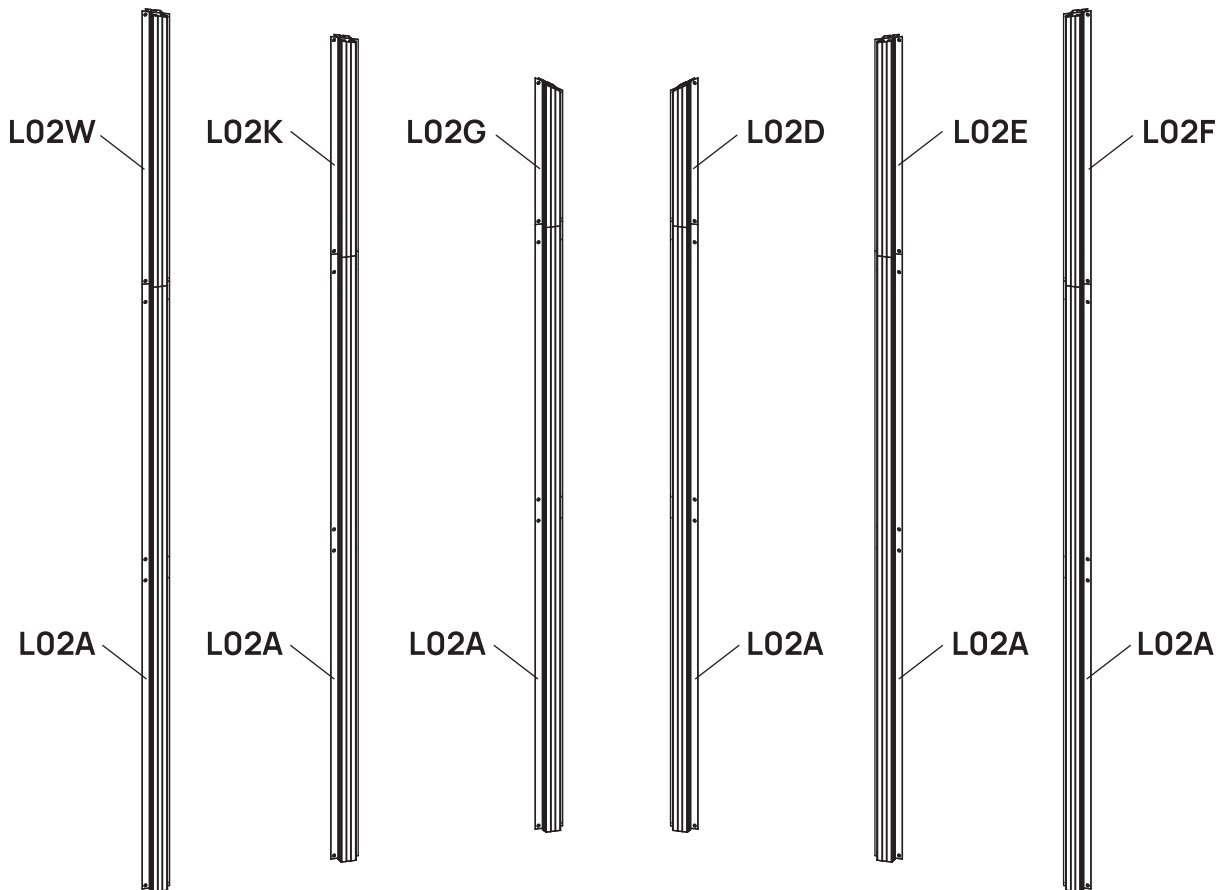
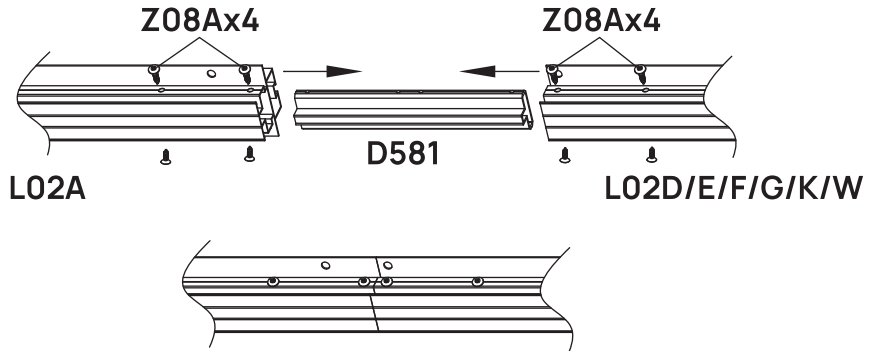
2



STEP
05

Assemble 6 sets of L02 vertical frame pieces as shown, using D581 connectors and Z08A screws.

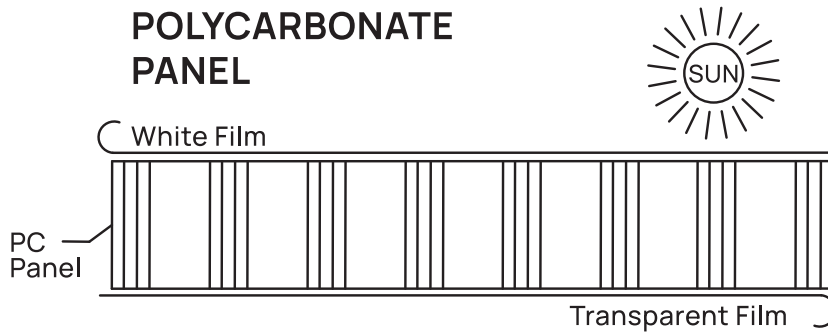
BOX	PART	NO	QTY
ALBOX-3		L02A	6
ALBOX-2		L02D	1
ALBOX-2		L02E	1
ALBOX-2		L02F	1
ALBOX-2		L02W	1
ALBOX-2		L02K	1
ALBOX-2		L02G	1
ALBOX-3		D581	6
ALBOX-3		Z08A Ø4.2X16	48



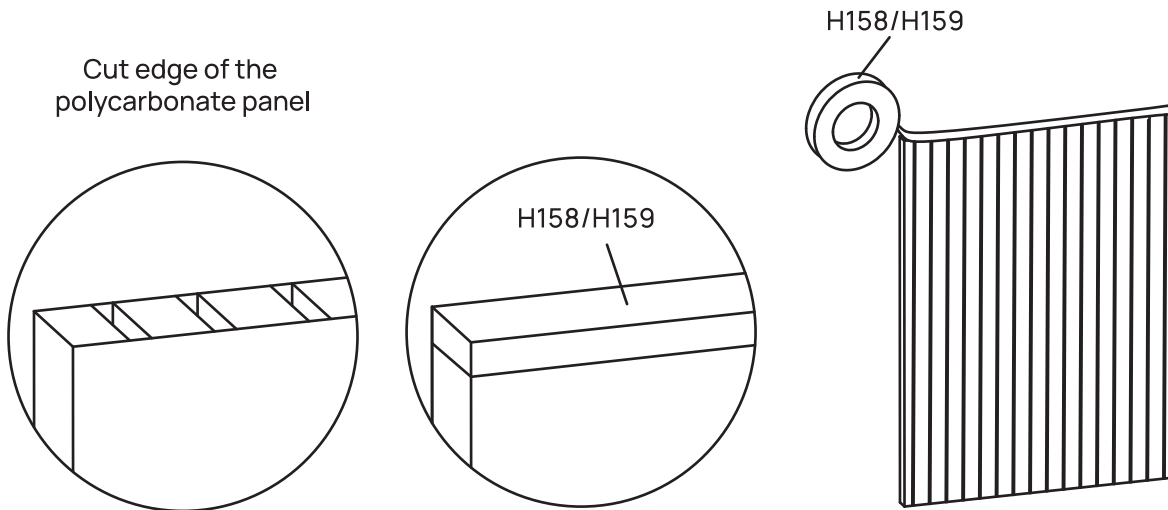
STEP
06

For PC panels

Remove the clear film prior to assembly. The white film indicates the UV-Protected side of the panels. Peel back the white film to expose only the edges (until the panels are in place) to ensure that the UV-Protected side is facing outwards in final assembly.



Cover the two cut edges of the PC panels with the provided tape before installation to seal the channels & prevent moisture from getting trapped inside.






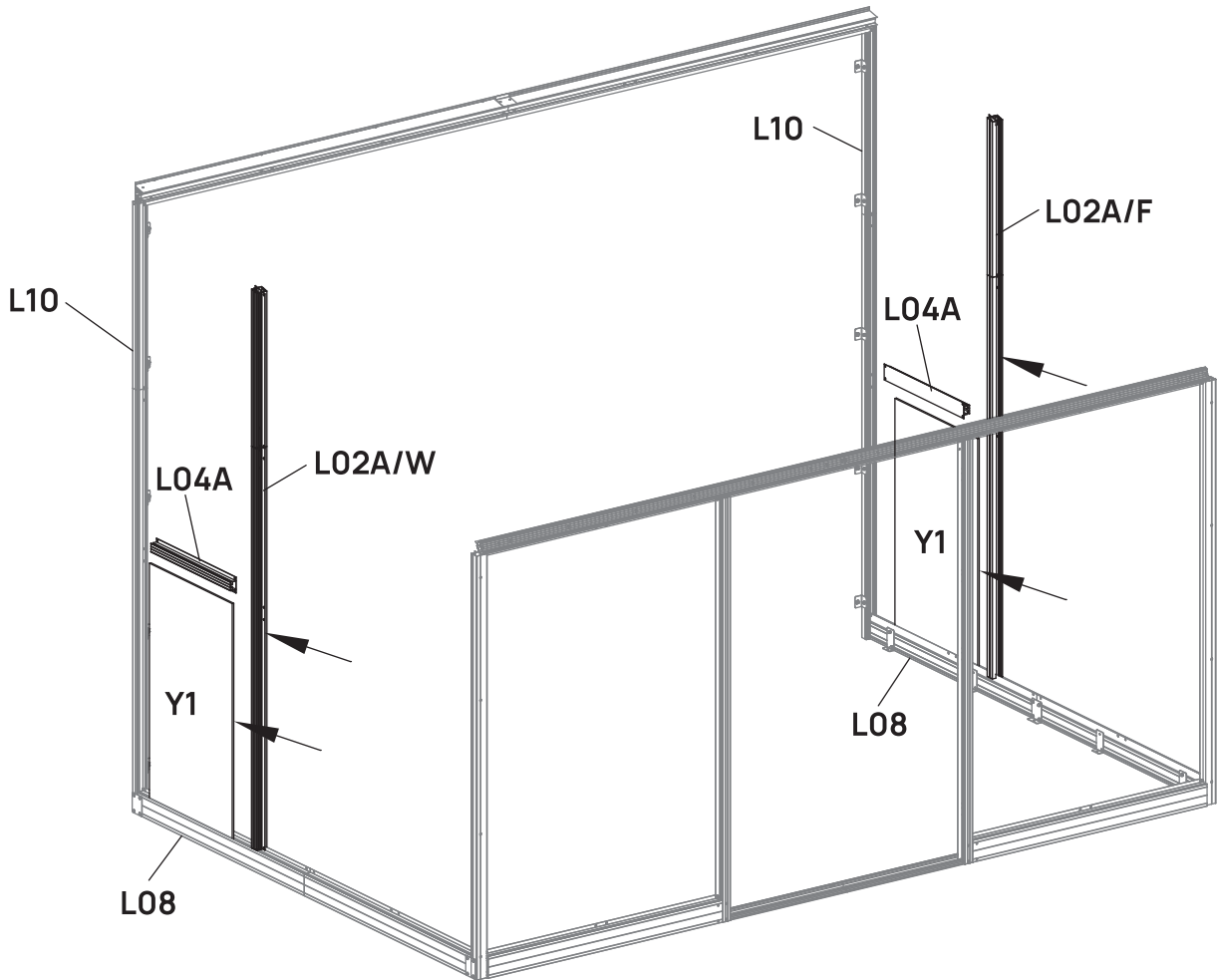
For Glass panels

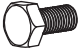

- H158/H159 Tape is not required.
- Handle with care to avoid breakage.
- Watch out for sharp corners and edges.
- Use glass suction cups (not provided) for safe handling.
- Do not apply excessive force or strike the glass during installation.

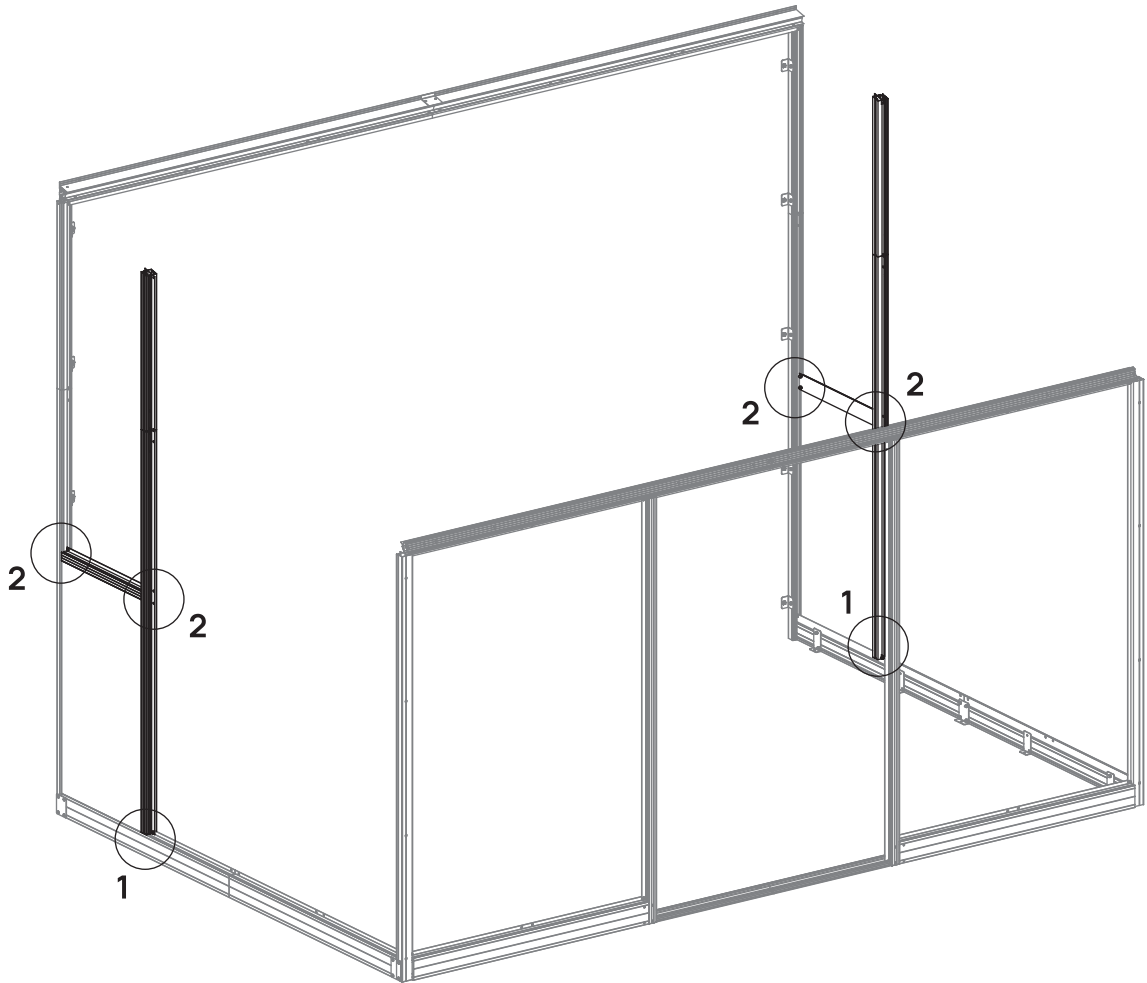
STEP
07

Insert Y1 panels into the groove of L10 pieces and into the foundation frames. Then install the L02A pieces and L04A connecting frames as shown.

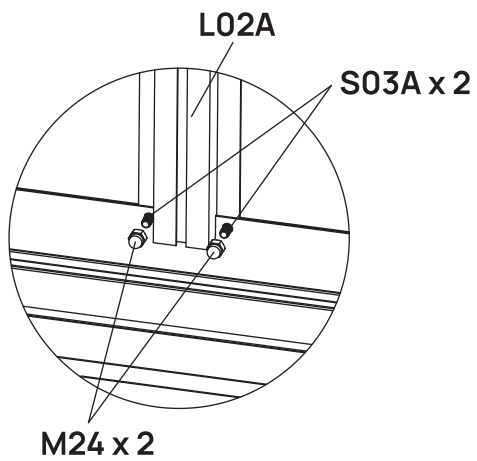
BOX	PART	NO	QTY
ALBOX-2		L04A	2
PCBOX-1		Y1	2
PCBOX-1		H159	1
		H158	



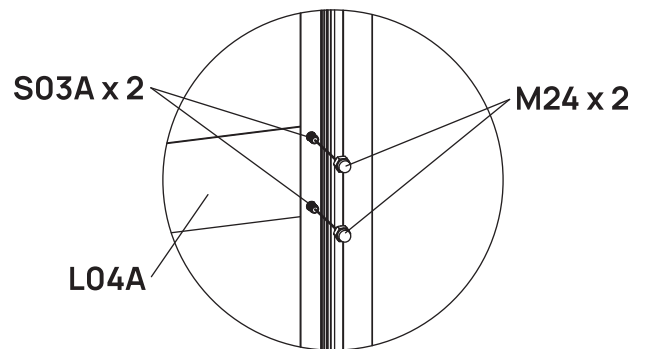
BOX	PART	NO	QTY
ALBOX-3		S03A	12
		M6X10	
ALBOX-3		M24	12
		M6	



①









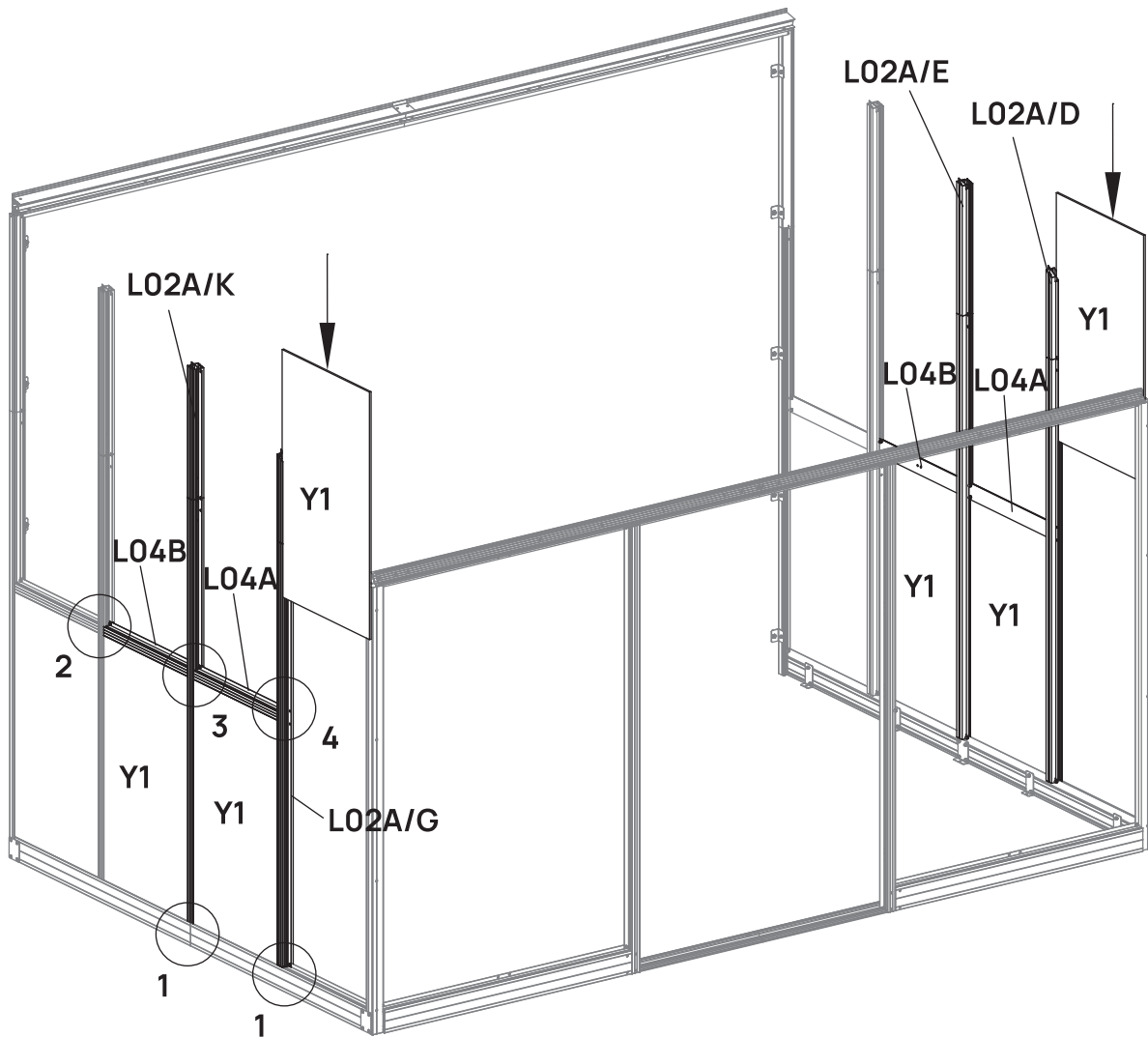
②

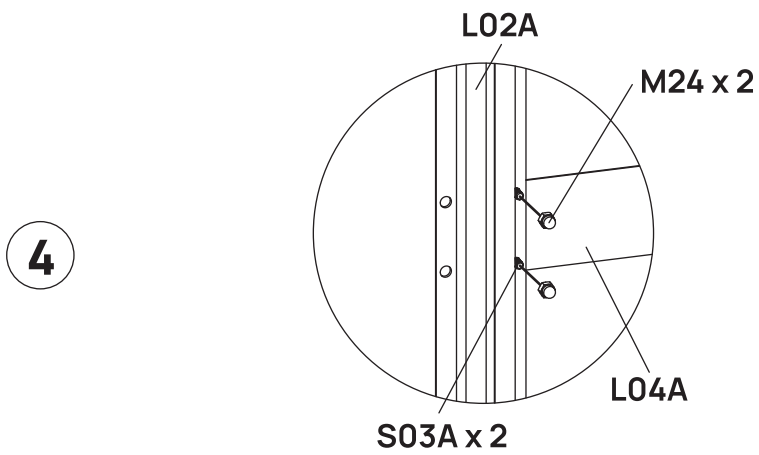
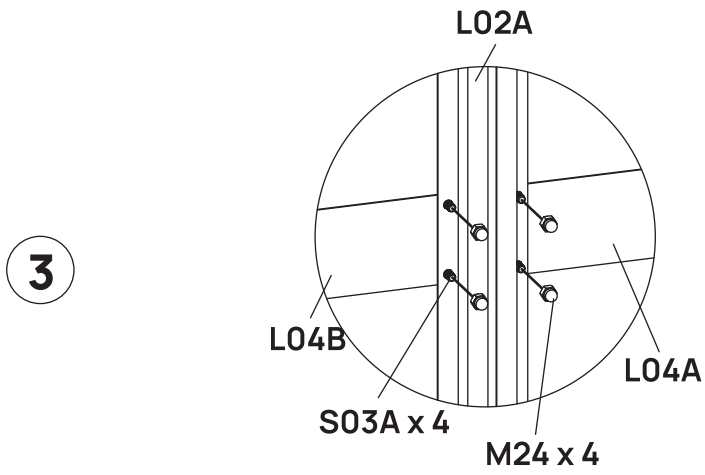
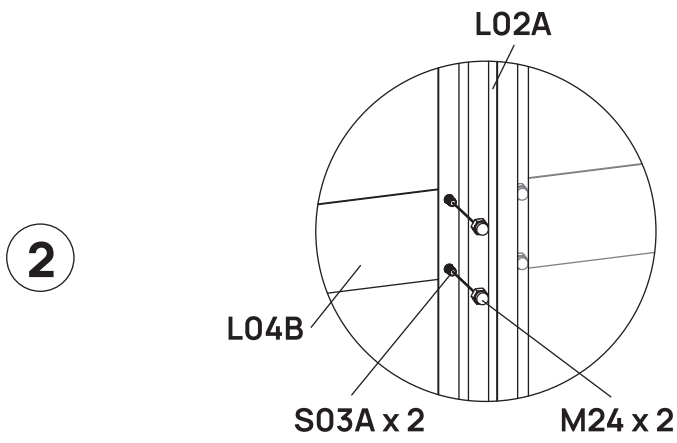
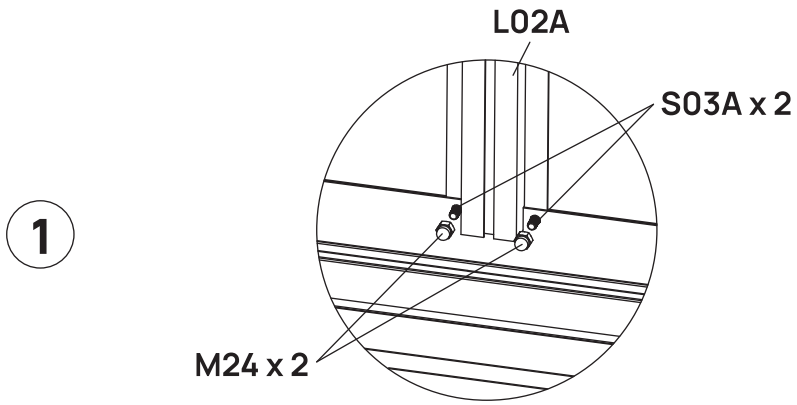


STEP
08

Assemble the remaining Y1 panels, L02 vertical frames and L04 connecting frames as shown.






BOX	PART	NO	QTY
ALBOX-2		L04A	2
ALBOX-2		L04B	2
PCBOX-1		Y1	6
PCBOX-1		H159	1
		H158	
ALBOX-3		S03A	24
		M6X10	
ALBOX-3		M24	24
		M6	

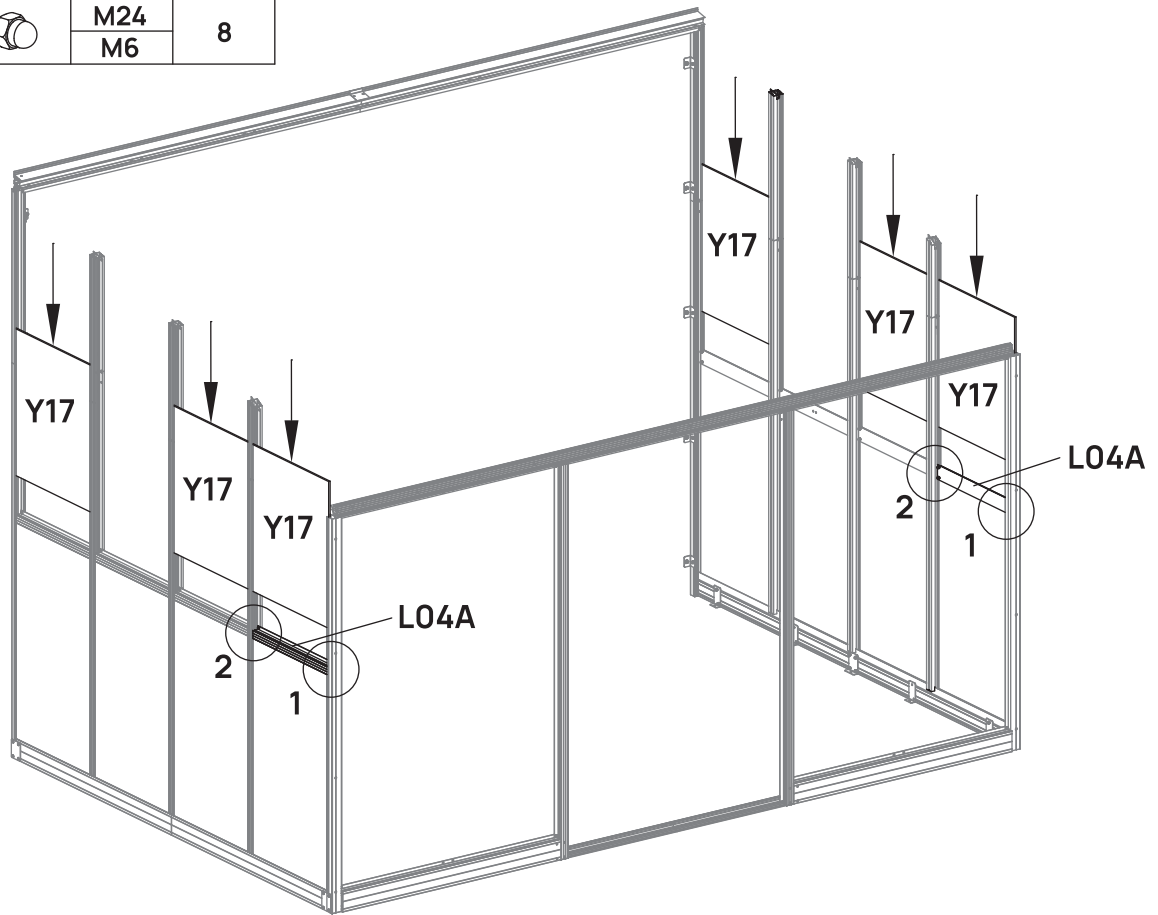




STEP
09

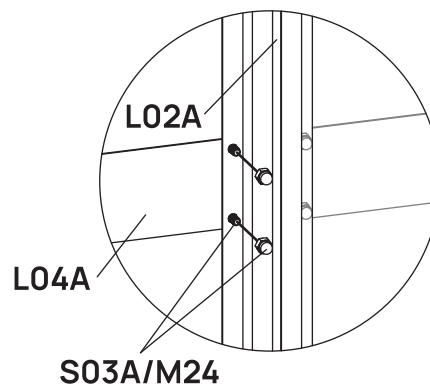
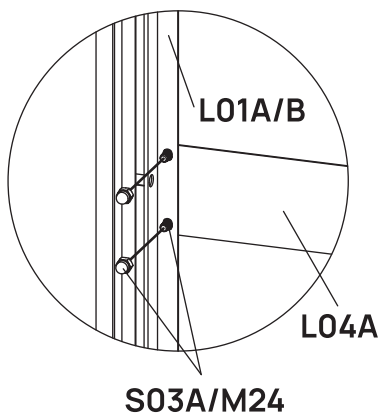
Insert Y17 panels into place as shown.

BOX	PART	NO	QTY
ALBOX-2		L04A	2
PCBOX-1		Y17	6
PCBOX-1		H159	1
		H158	
ALBOX-3		S03A	8
		M6X10	
ALBOX-3		M24	8
		M6	





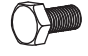

1

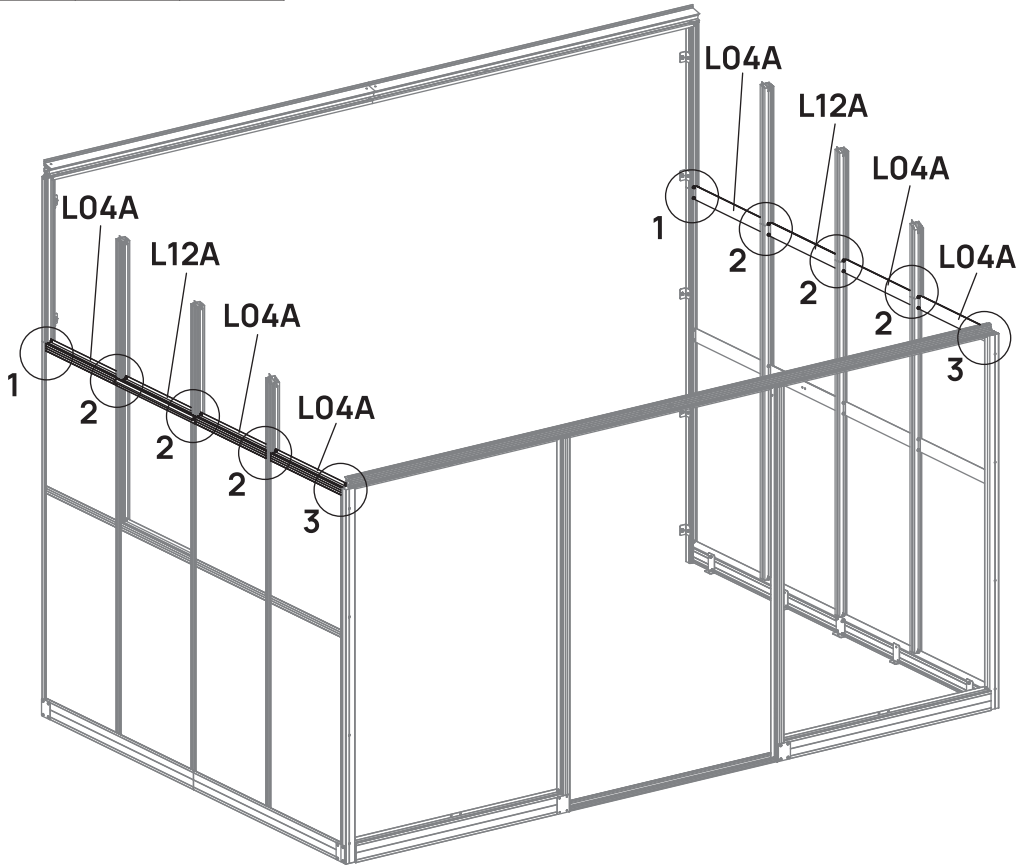
2



STEP
10

Assemble L04A and L12A frames as shown.

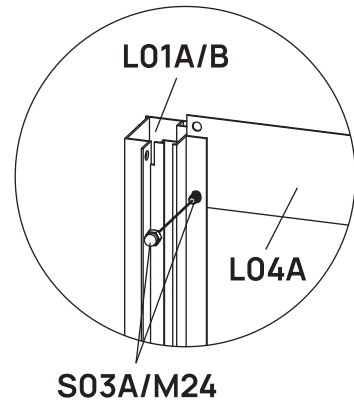
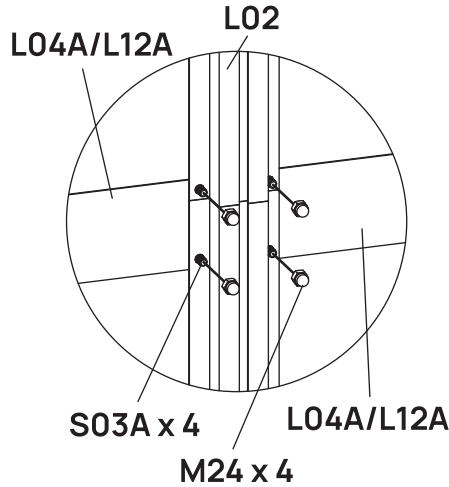
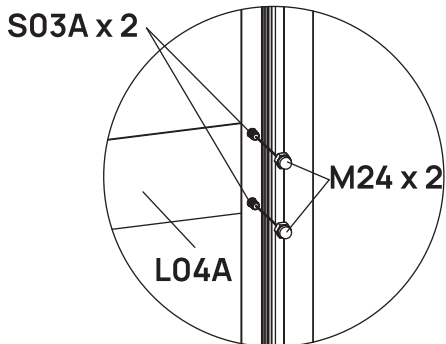
BOX	PART	NO	QTY
ALBOX-2		L04A	6
ALBOX-2		L12A	2
ALBOX-3		S03A M6X10	30
ALBOX-3		M24 M6	30



1

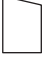



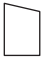




2

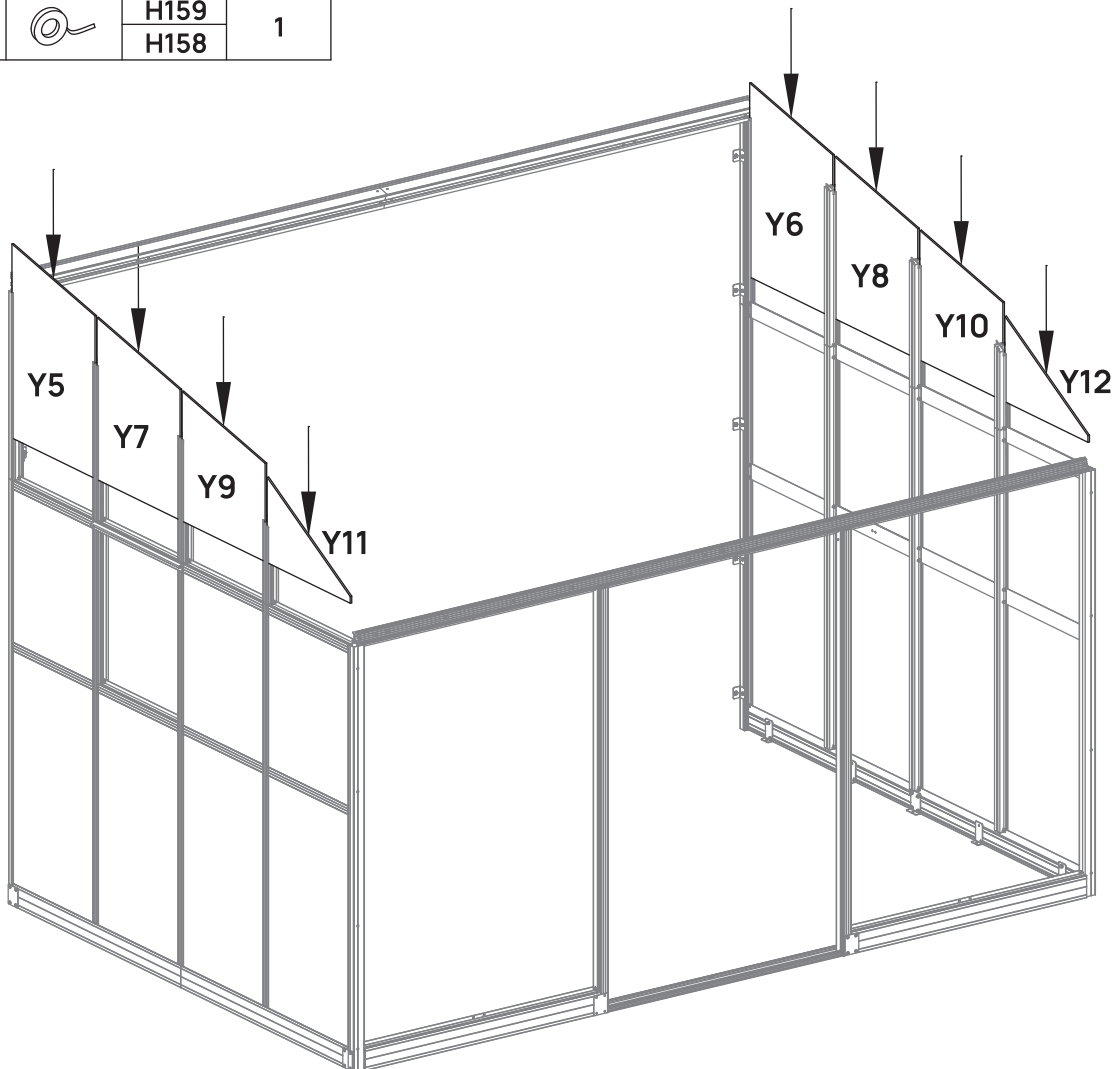
3



STEP
11




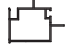


Insert side end panels as shown.

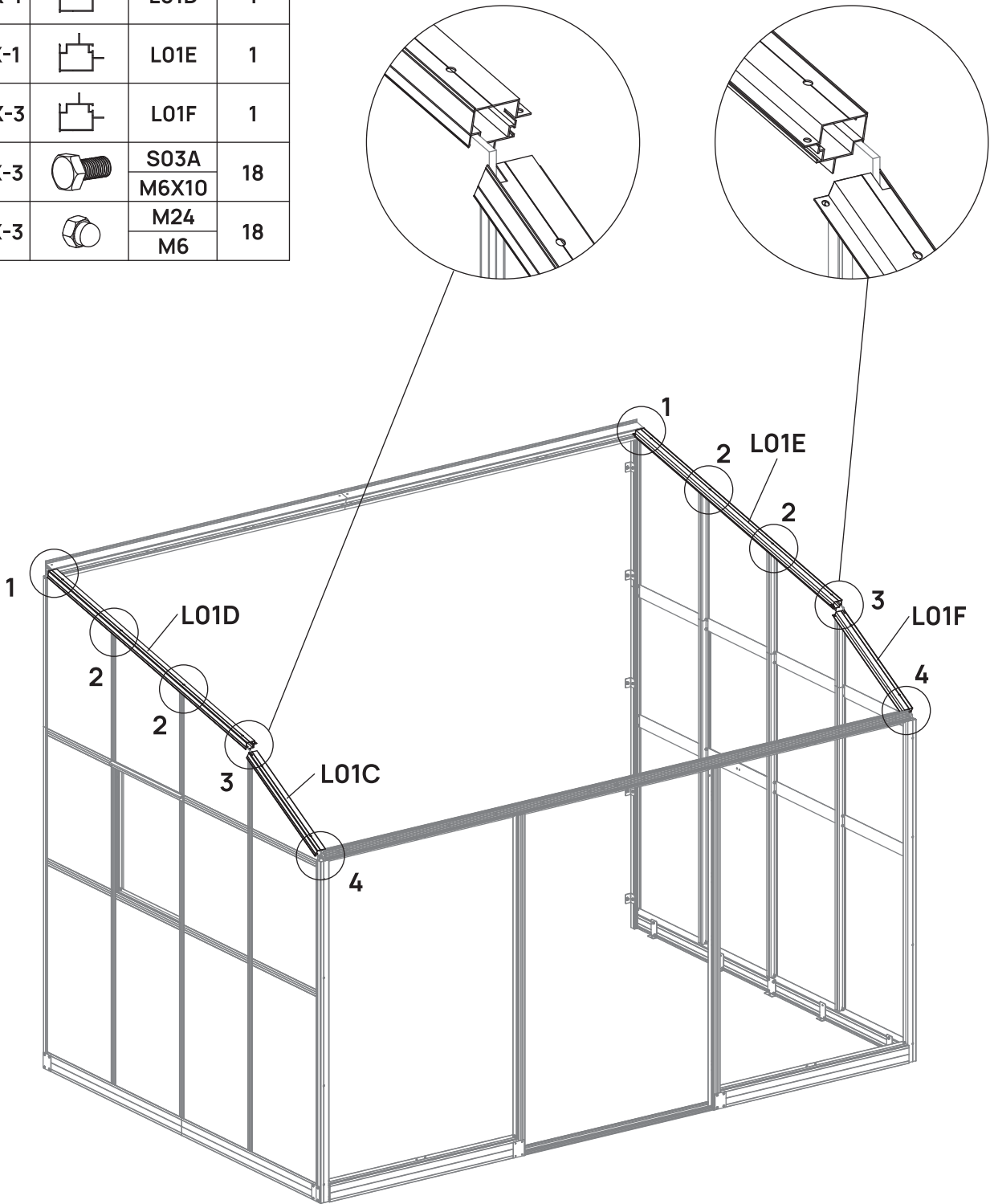
BOX	PART	NO	QTY
PCBOX-1		Y5	1
PCBOX-1		Y7	1
PCBOX-1		Y9	1
PCBOX-1		Y11	1
PCBOX-1		Y6	1
PCBOX-1		Y8	1
PCBOX-1		Y10	1
PCBOX-1		Y12	1
PCBOX-1		H159 H158	1

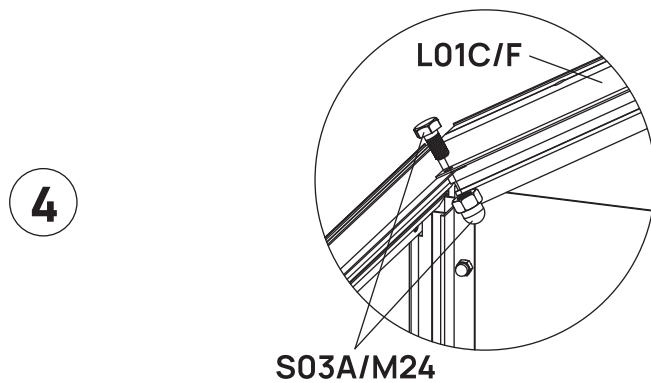
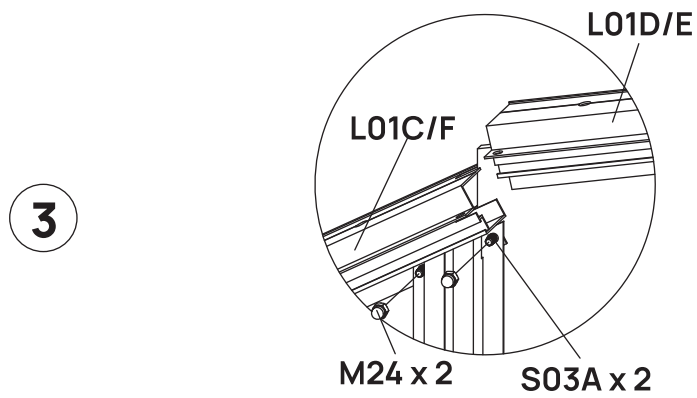
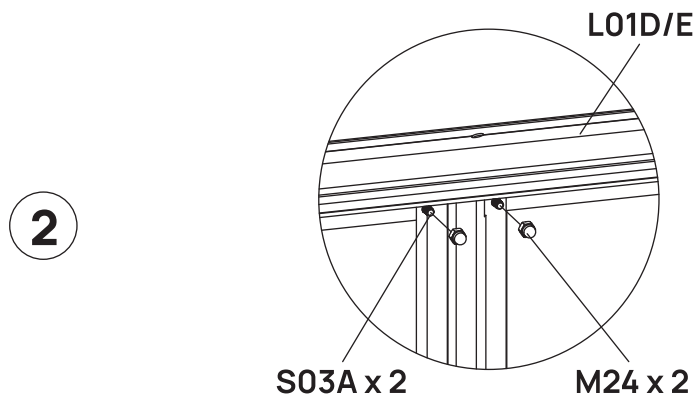
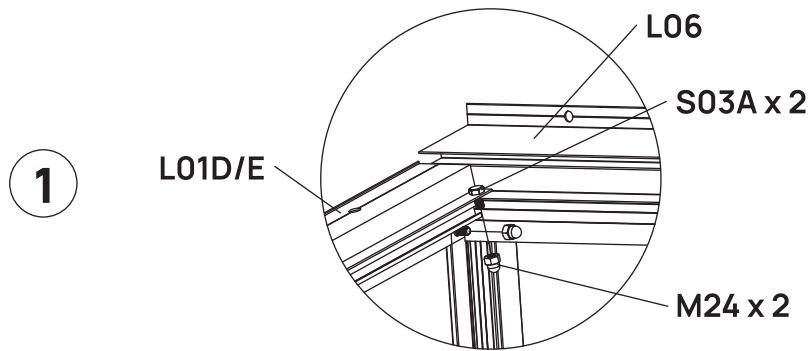


STEP
12

Assemble the L01 side rafter frames as shown.



BOX	PART	NO	QTY
ALBOX-3		L01C	1
ALBOX-1		L01D	1
ALBOX-1		L01E	1
ALBOX-3		L01F	1
ALBOX-3		S03A M6X10	18
ALBOX-3		M24 M6	18

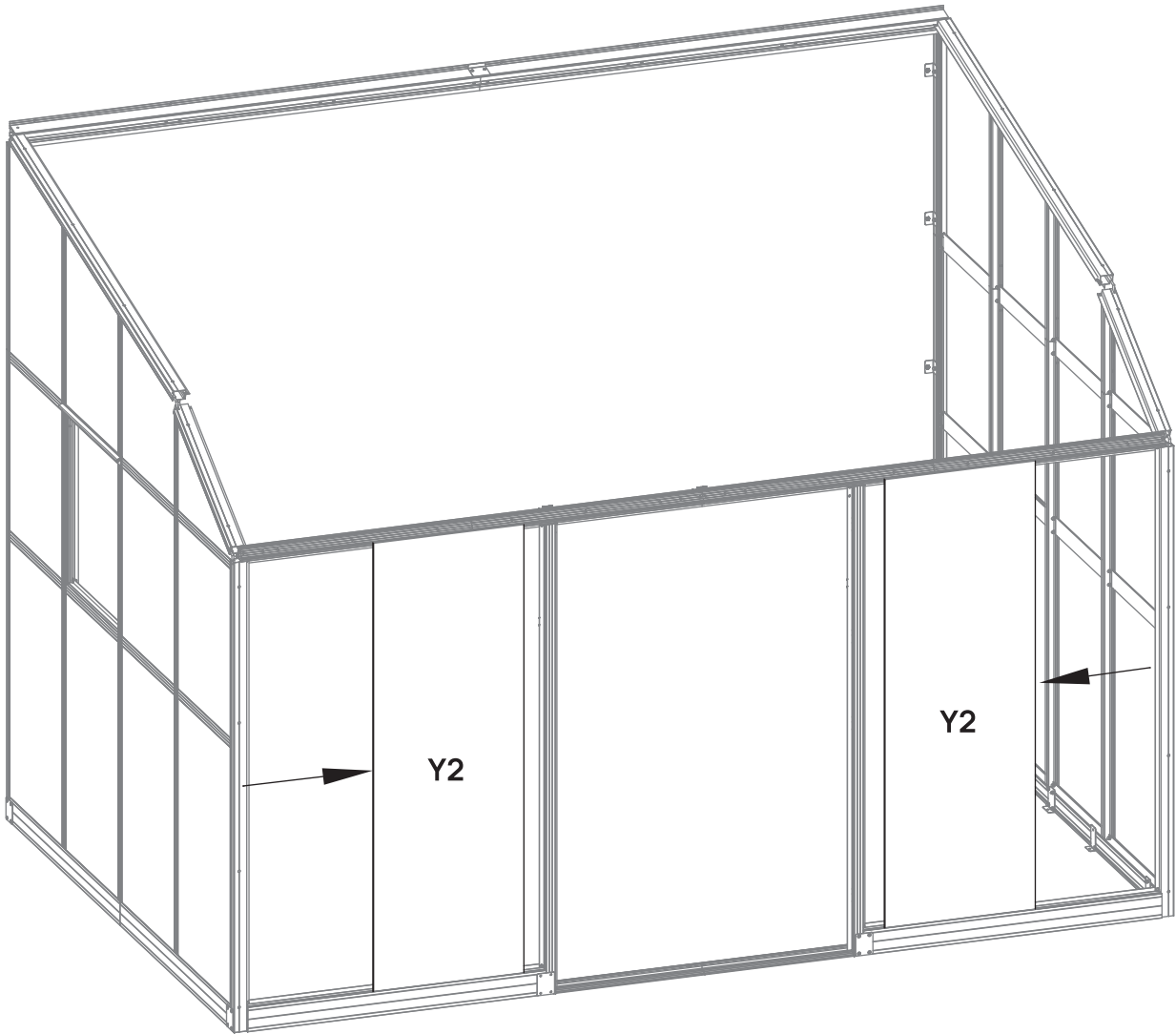




STEP
13


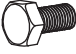

Insert Y2 panels as shown.

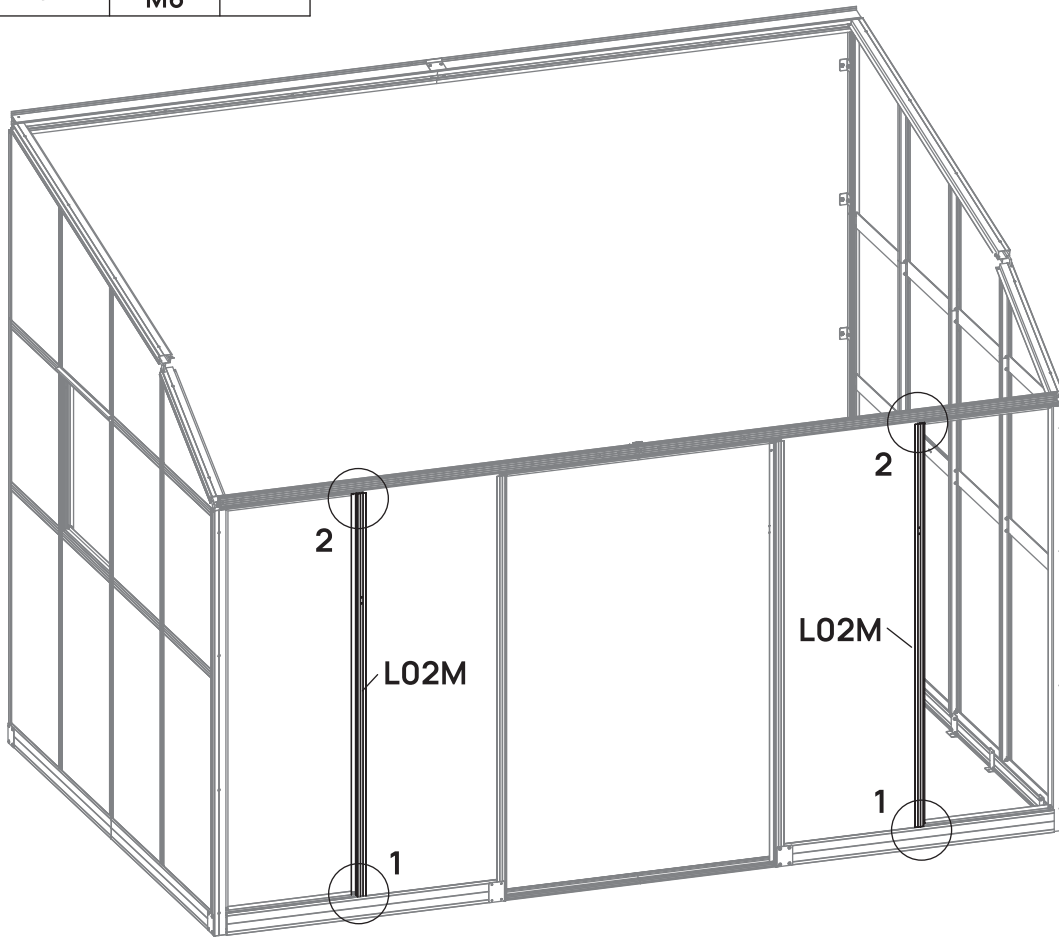
BOX	PART	NO	QTY
PCBOX-1		Y2	2
PCBOX-1		H159	1
		H158	



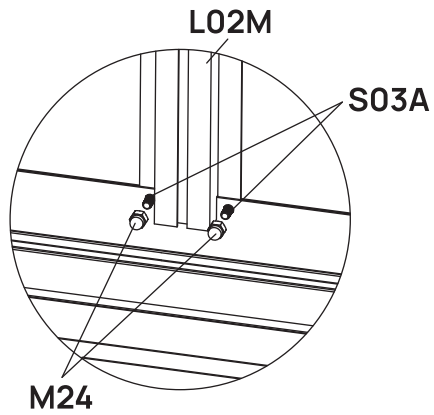
STEP
14

Assemble the L02M verticle frames as shown.

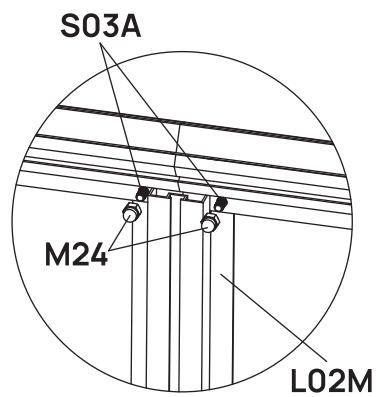
BOX	PART	NO	QTY
ALBOX-3		L02M	2
ALBOX-3		S03A M6X10	8
ALBOX-3		M24 M6	8



1





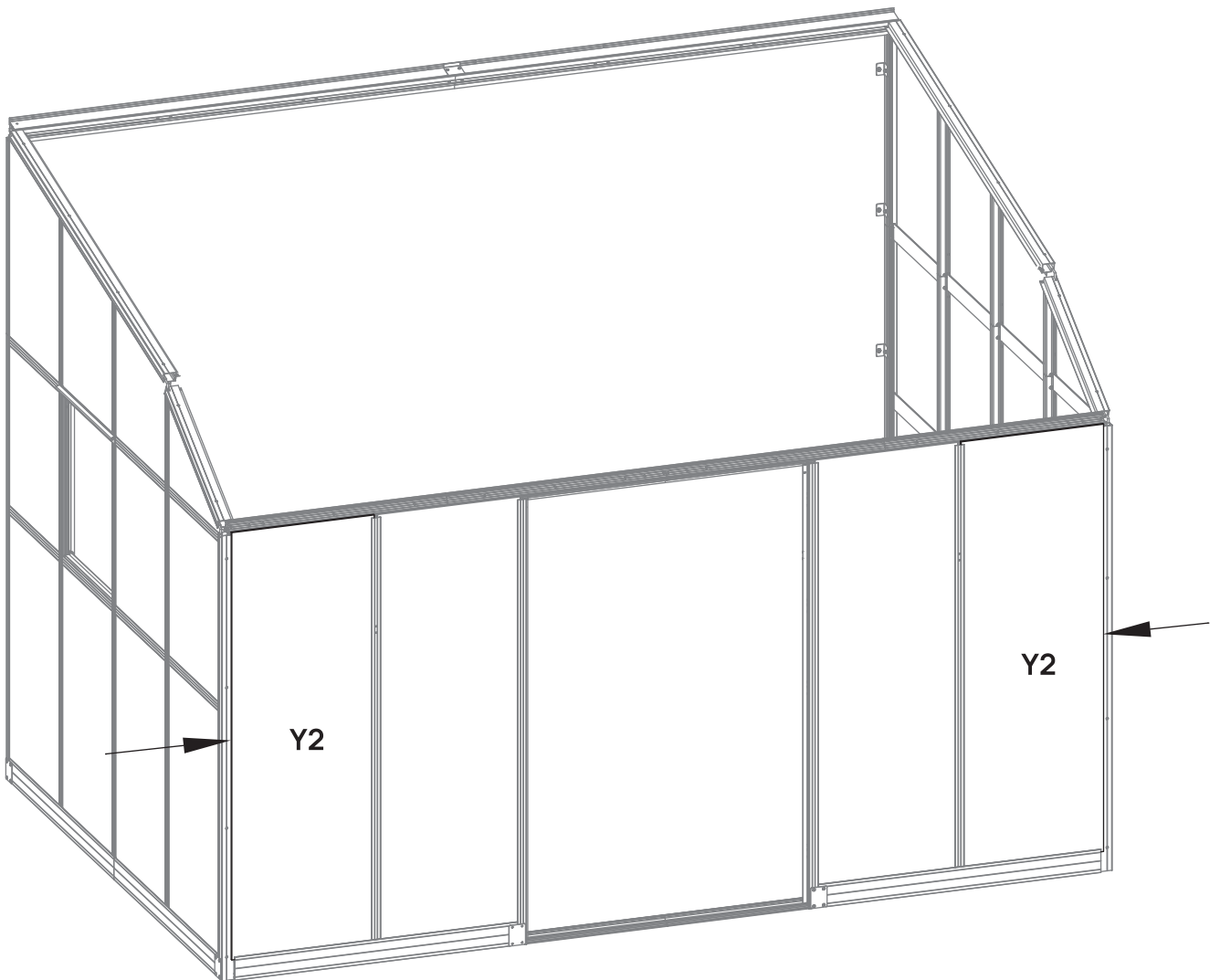
2



STEP
15



Insert Y2 panels as shown.

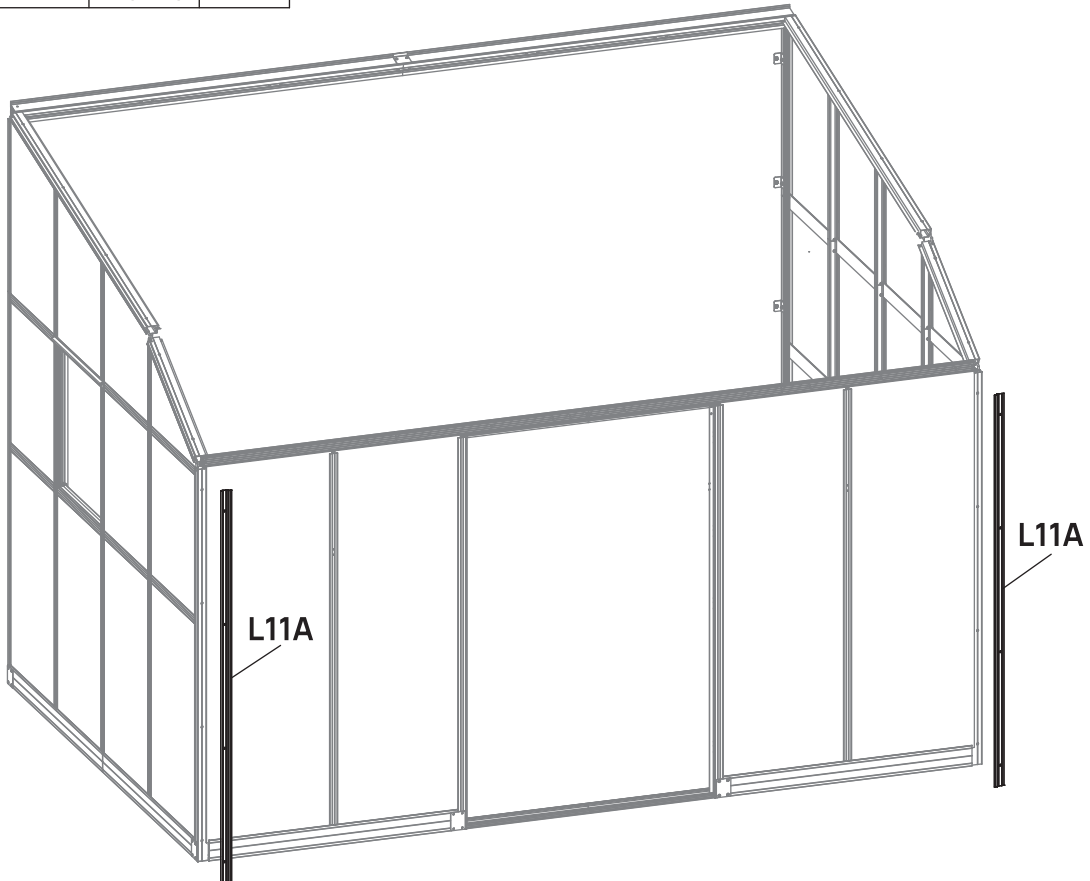
BOX	PART	NO	QTY
PCBOX-1		Y2	2
PCBOX-1		H159	1
		H158	



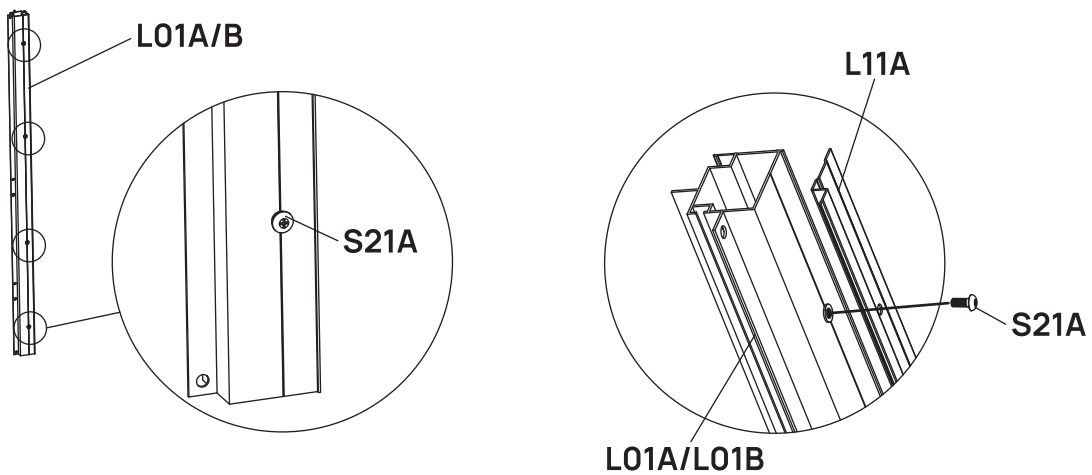
STEP
16

Attach the L11A corner cover frames onto L01 frames to secure the outermost panels as shown, using the removed S21A bolts.

BOX	PART	NO	QTY
ALBOX-1		L11A	2
Pre-installed		S21A M6X10	8







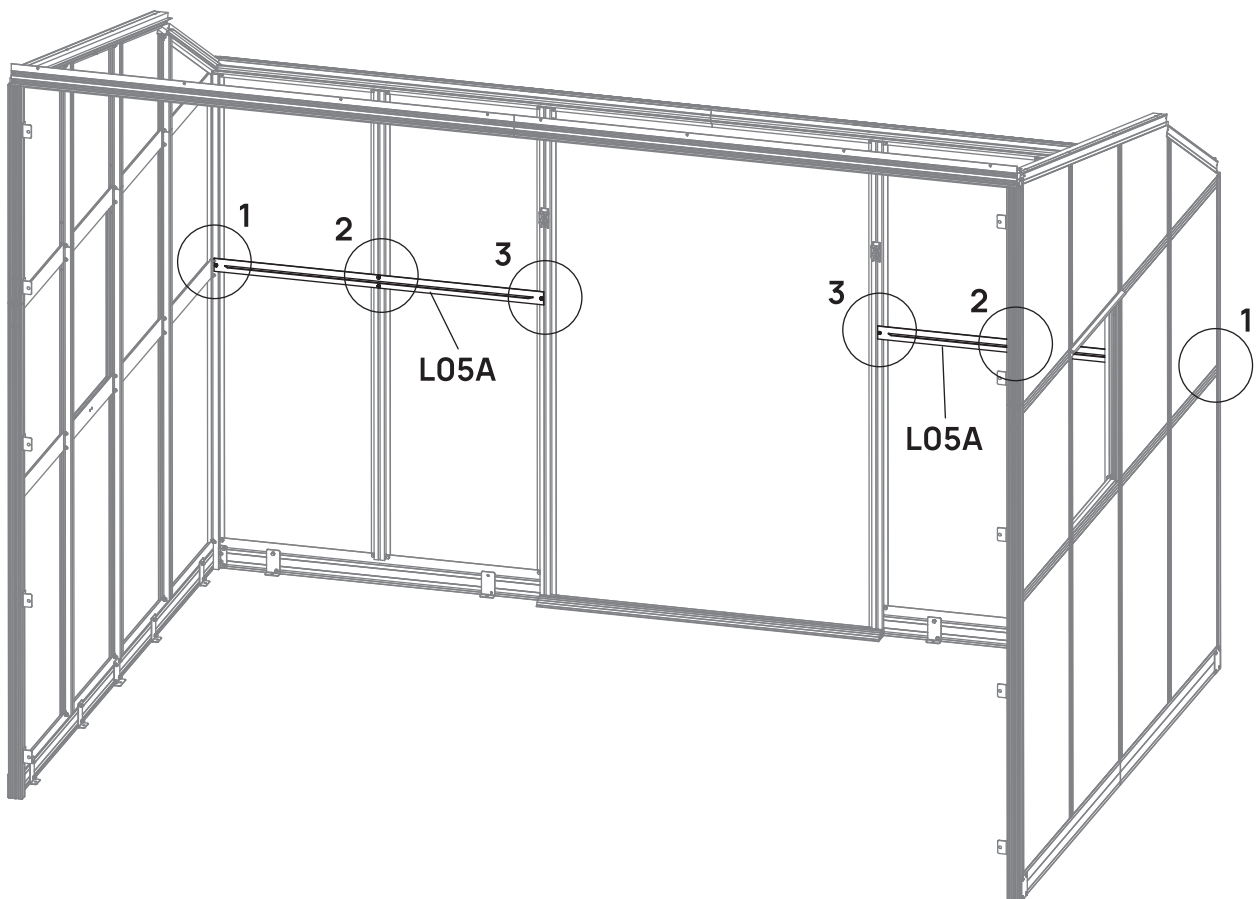
Remove the pre-installed S21A bolts from the L01 frames.



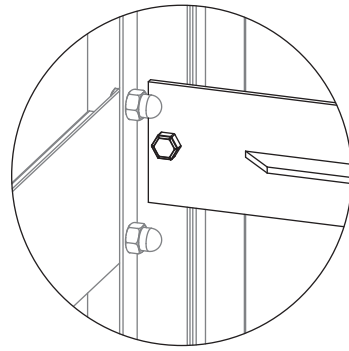
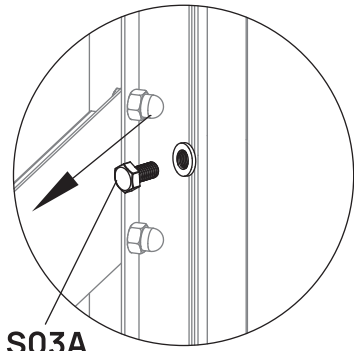
STEP
17

Assemble the L05A inner connecting frames as shown.

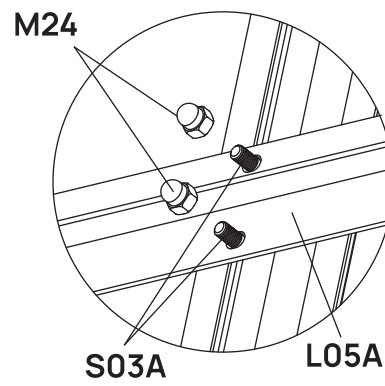
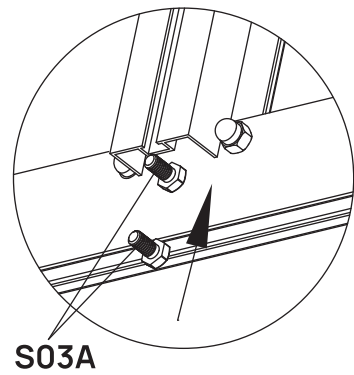
BOX	PART	NO	QTY
ALBOX-2		L05A	2
ALBOX-3		S03A M6X10	4
ALBOX-3		M24 M6	4
		S03A M6X10	4



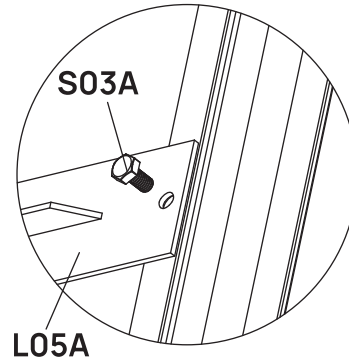
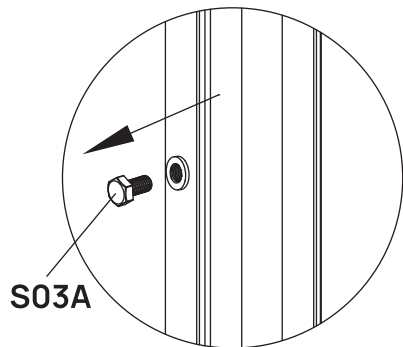
1



2






3

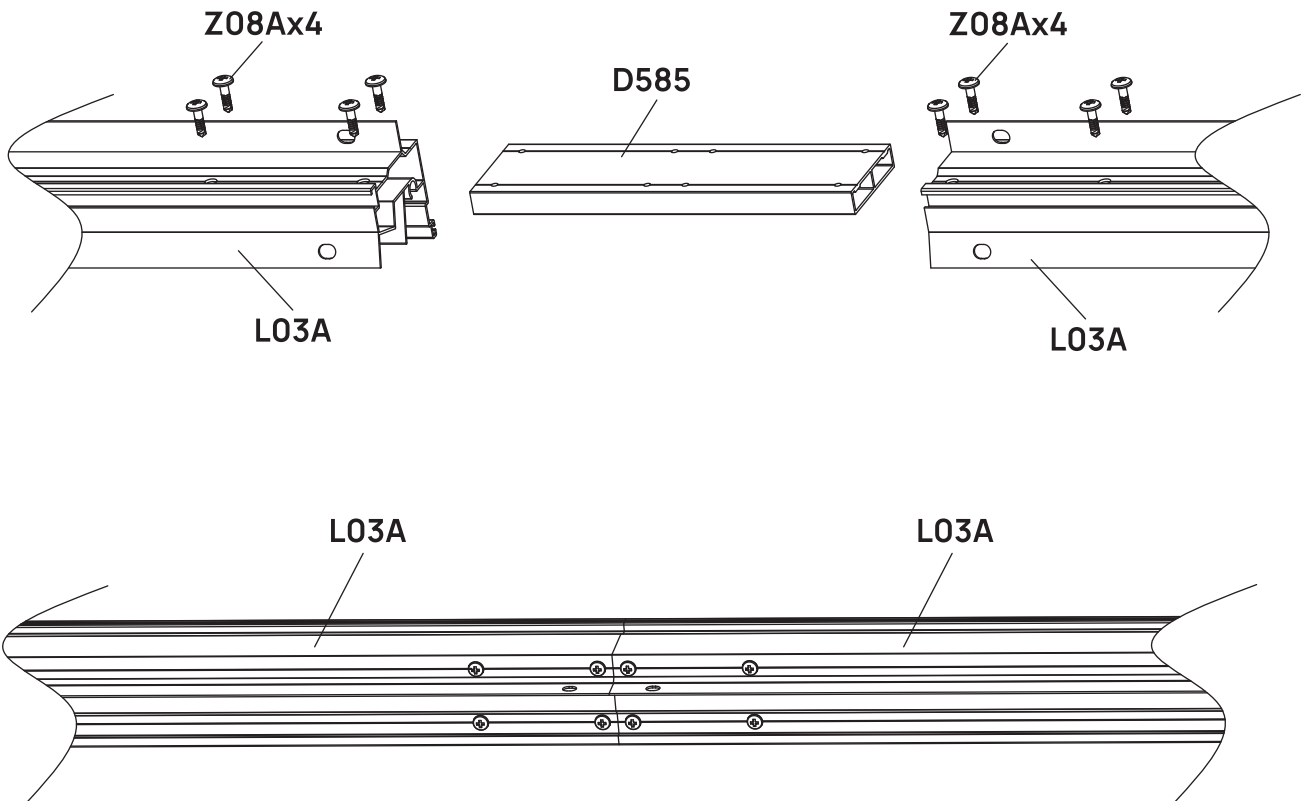


Roof Assembly

STEP 01

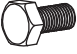

Assemble L03A beam piece as shown, using D585 connector and Z08A screws.

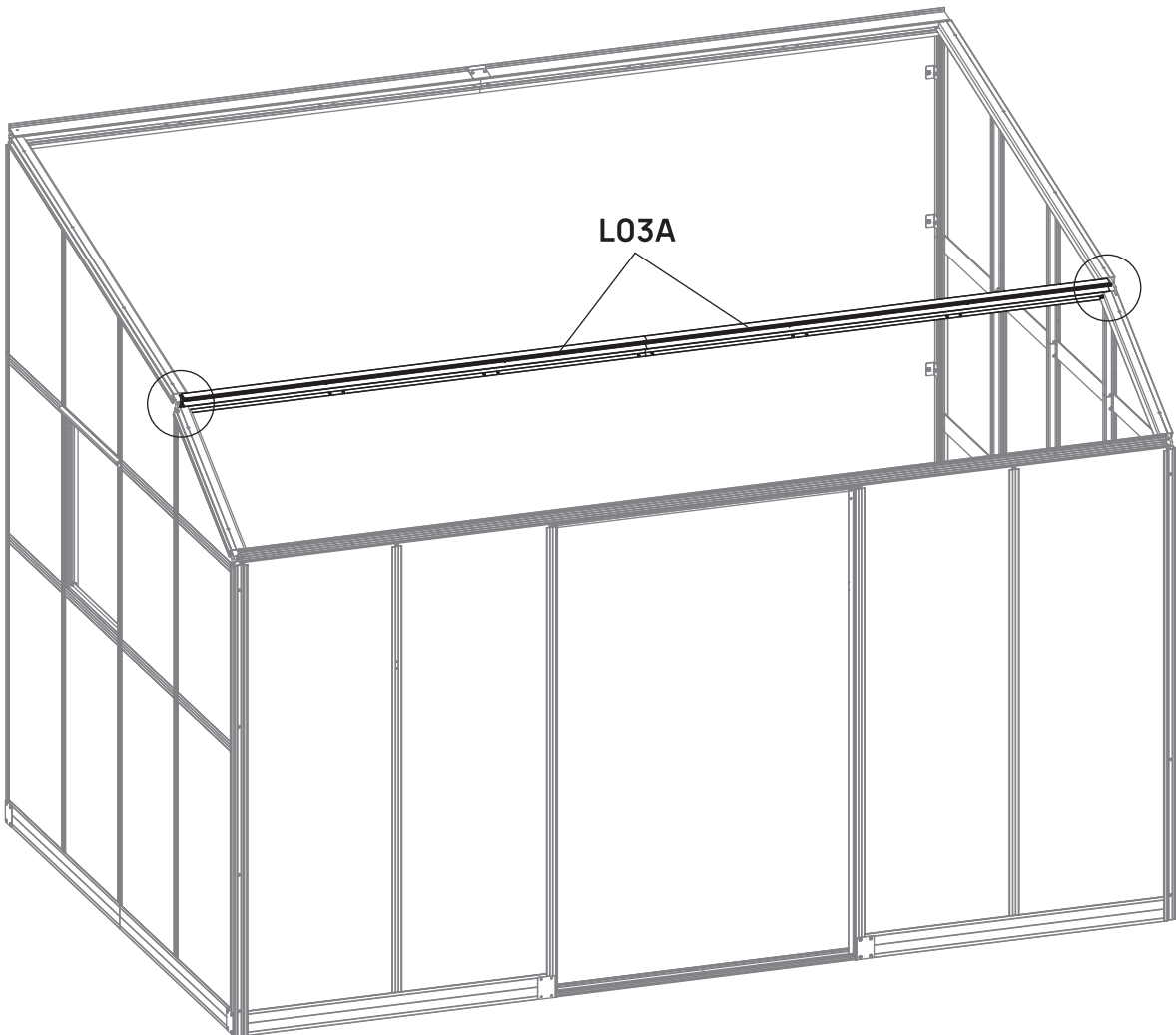
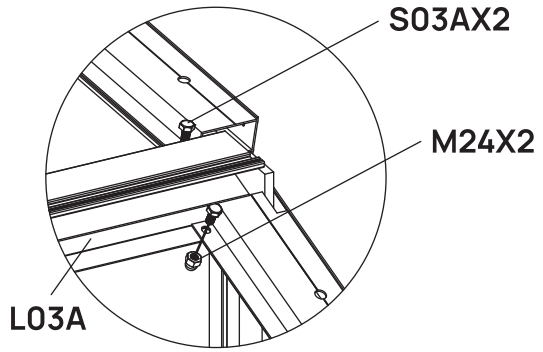
BOX	PART	NO	QTY
ALBOX-1		L03A	2
ALBOX-3		D585	1
ALBOX-3		Z08A Ø4.2X16	8



STEP
02

Attach the assembled L03A beam piece onto rafter frames as shown.






BOX	PART	NO	QTY
ALBOX-3		S03A M6X10	4
ALBOX-3		M24 M6	4

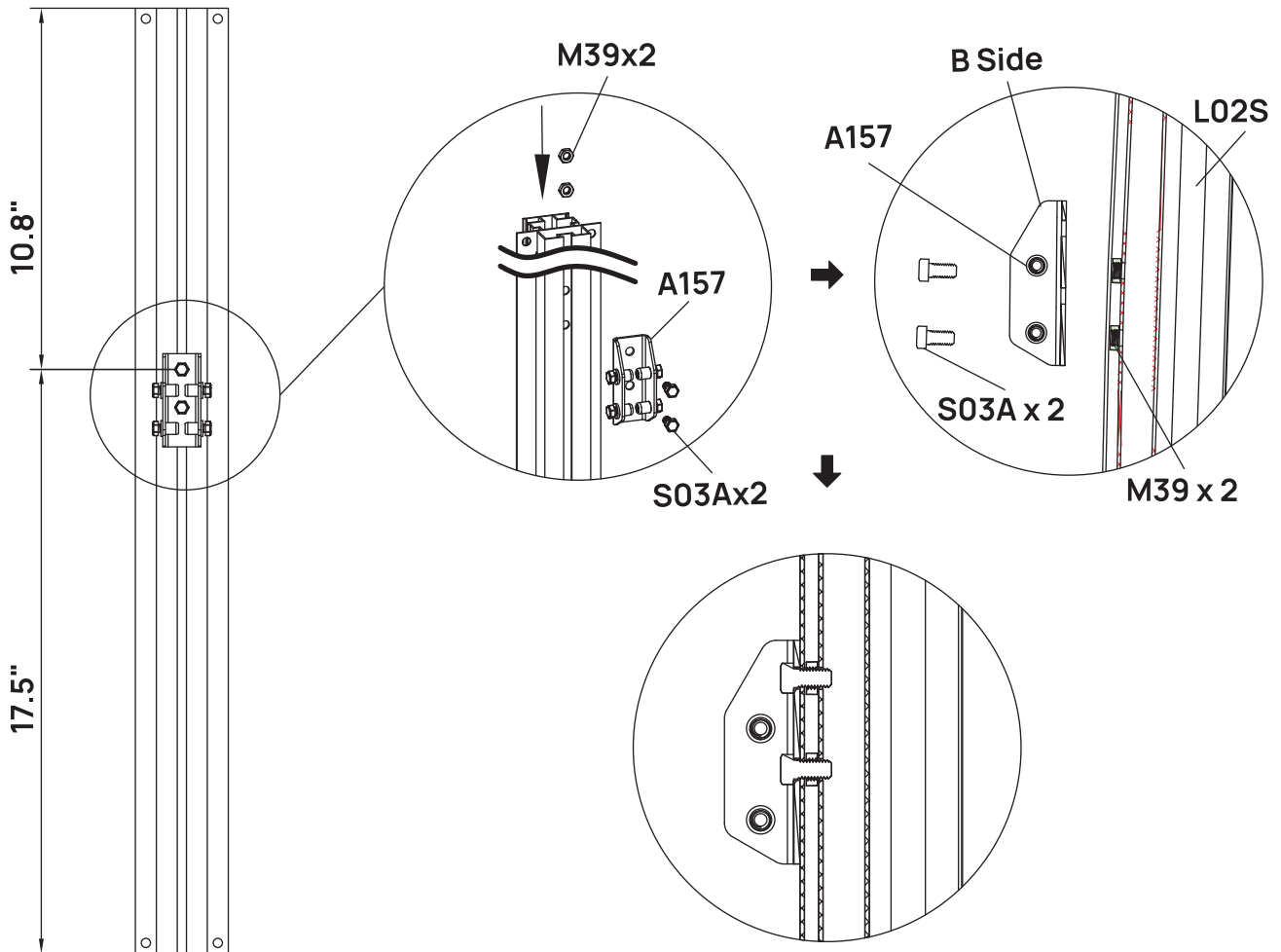


STEP
03

Slide 2 M39 nuts into the groove of L02S frames, aligning them with the positioning holes inside the groove.

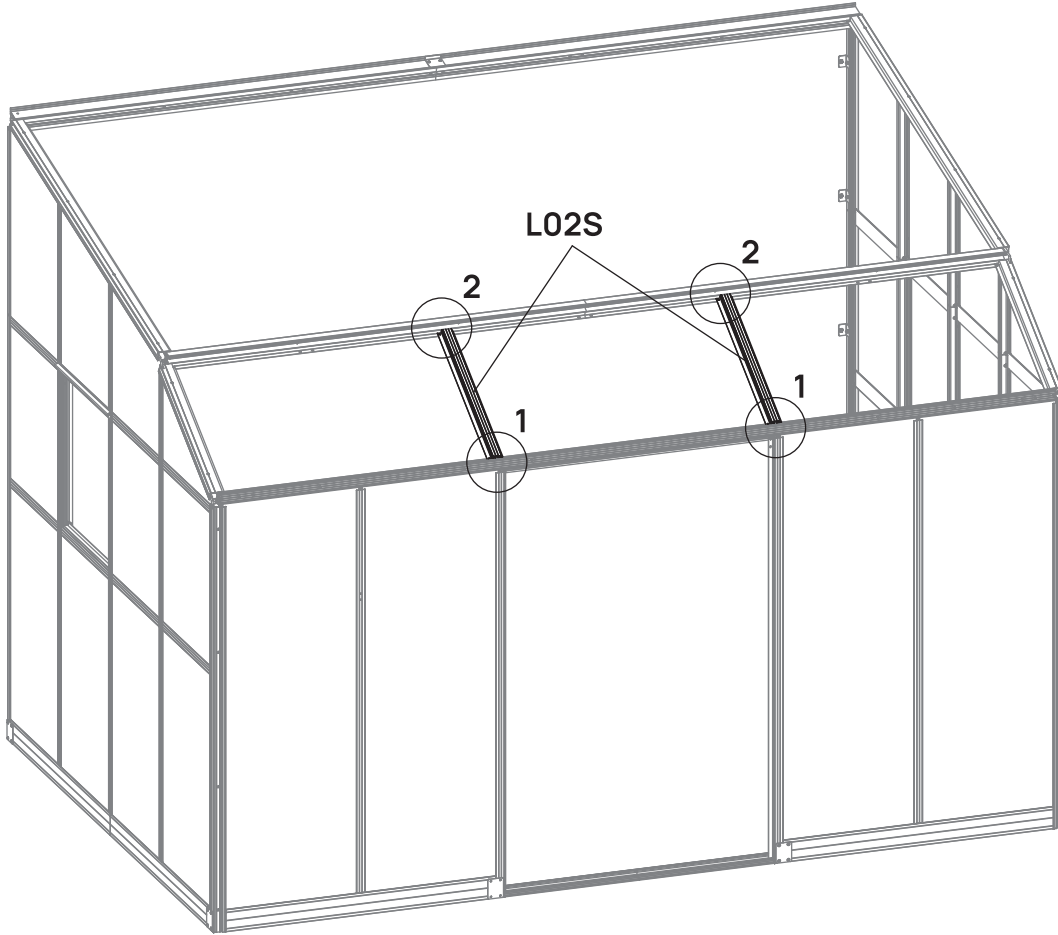
Attach the A157 bracket, secure it using S03A bolts into the M39 nuts and groove holes.

BOX	PART	NO	QTY
ALBOX-3		L02S	2
ALBOX-3		S03A M6X10	12
ALBOX-3		M24 M6	8
ALBOX-3		A157	2
ALBOX-3		M39 M6	4

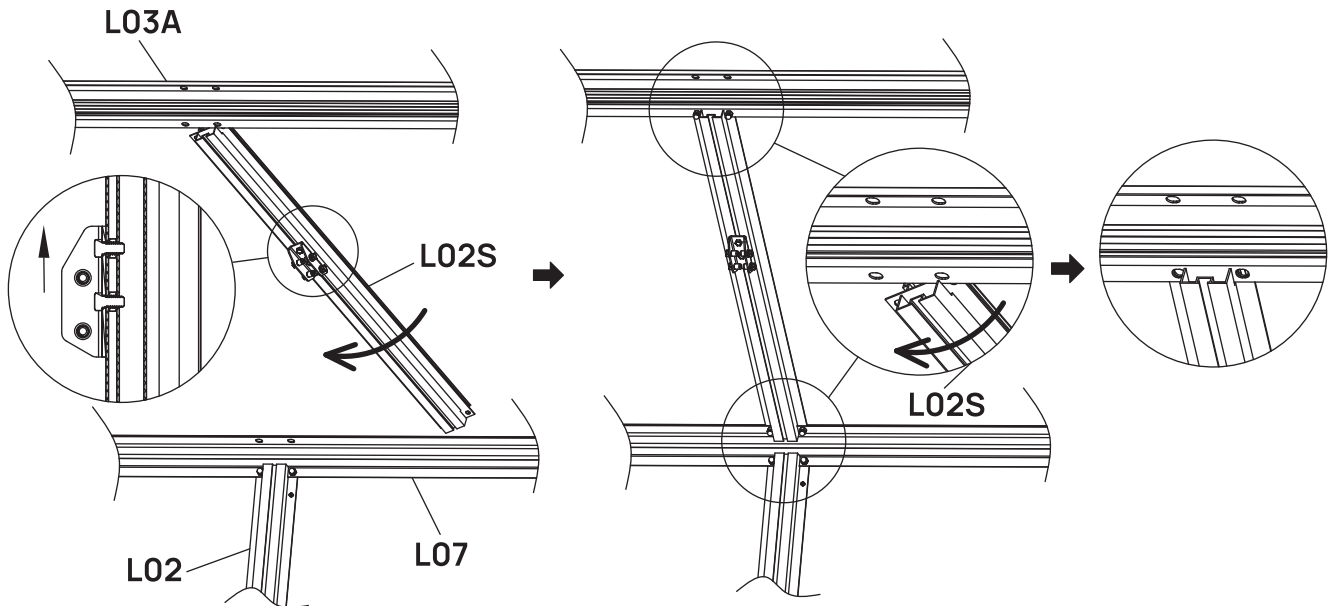


STEP
04

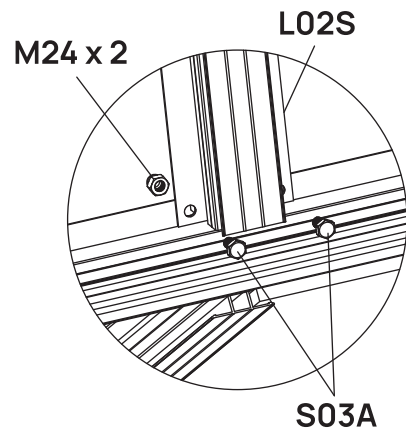
Assemble L02S short rafters onto the ridge beam and eave frame. Slot the notched ends of the L02S frame into place as shown, then secured with S03A and M24.



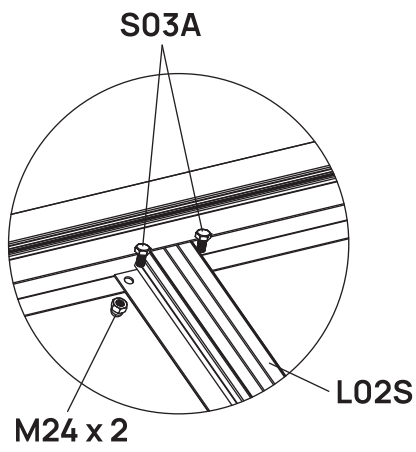
Interior view of the greenhouse



1




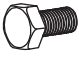
2

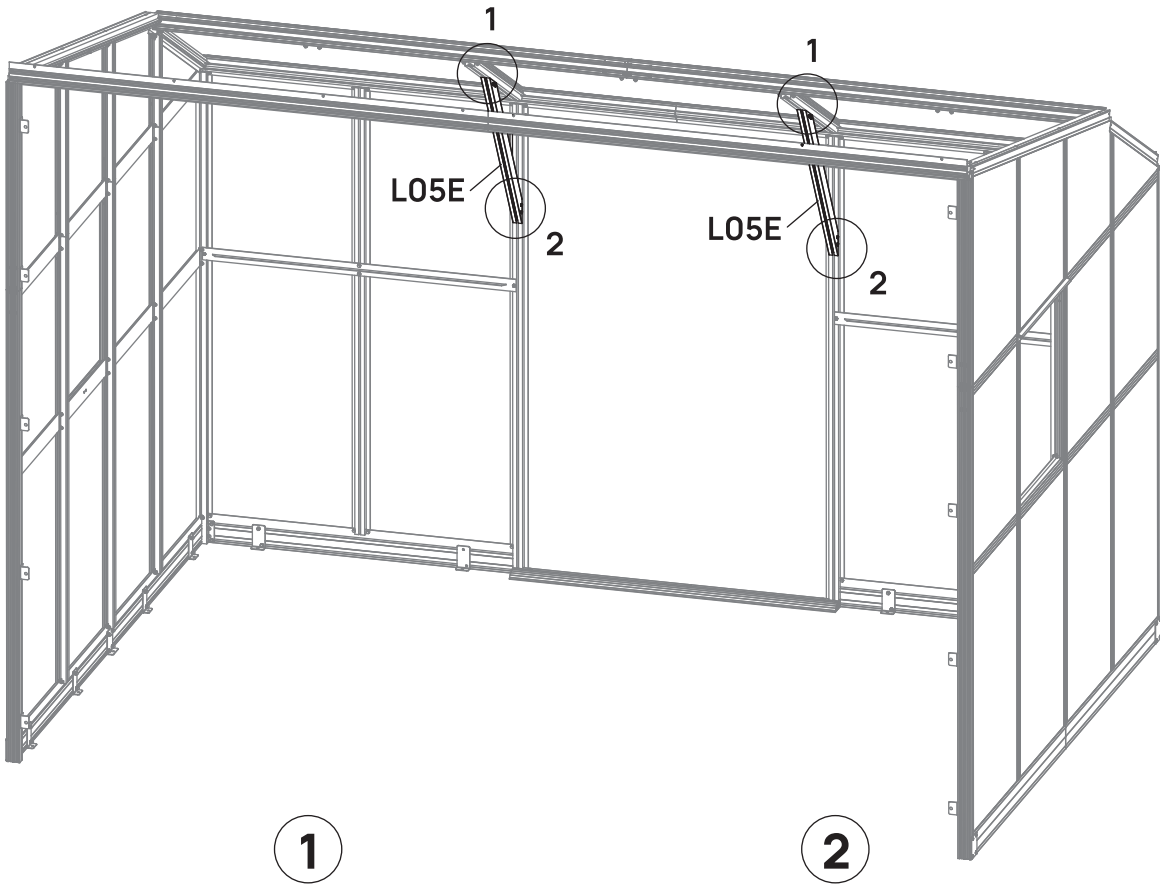
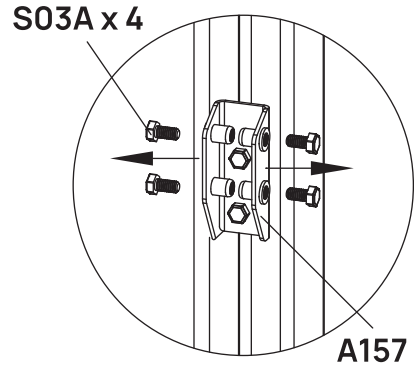


vegogarden.com

STEP
05

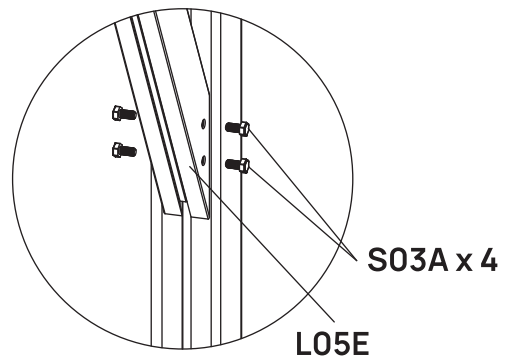
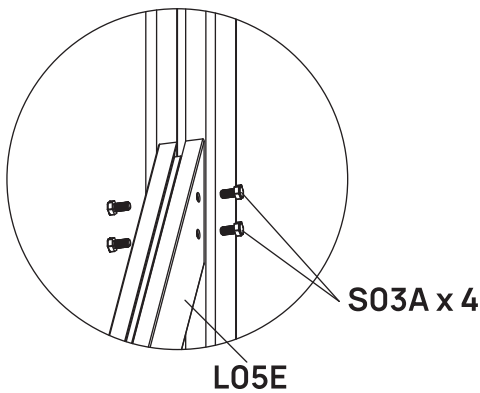
Attach L05E support braces onto the rafter and vertical frames as shown. Secure with S03A and M24.

BOX	PART	NO	QTY
ALBOX-3		L05E	2
		S03A M6X10	16




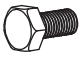

1

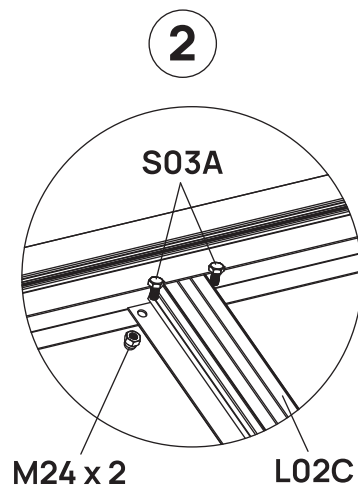
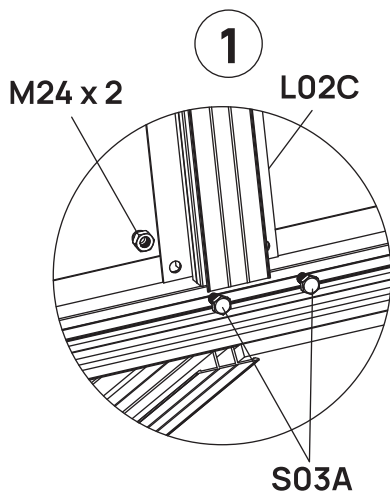
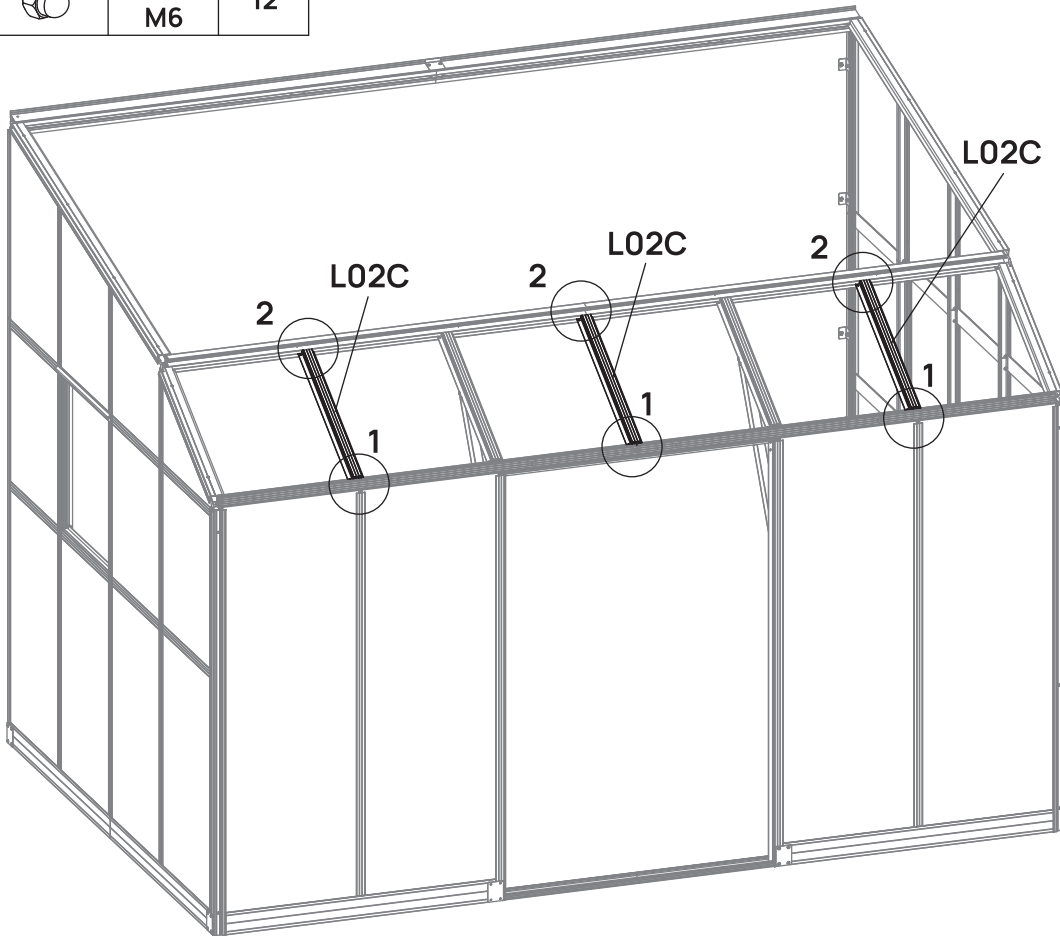
2



STEP
06




Assemble L02C short rafter frames in the same way. Secure with S03A and M24 as shown.

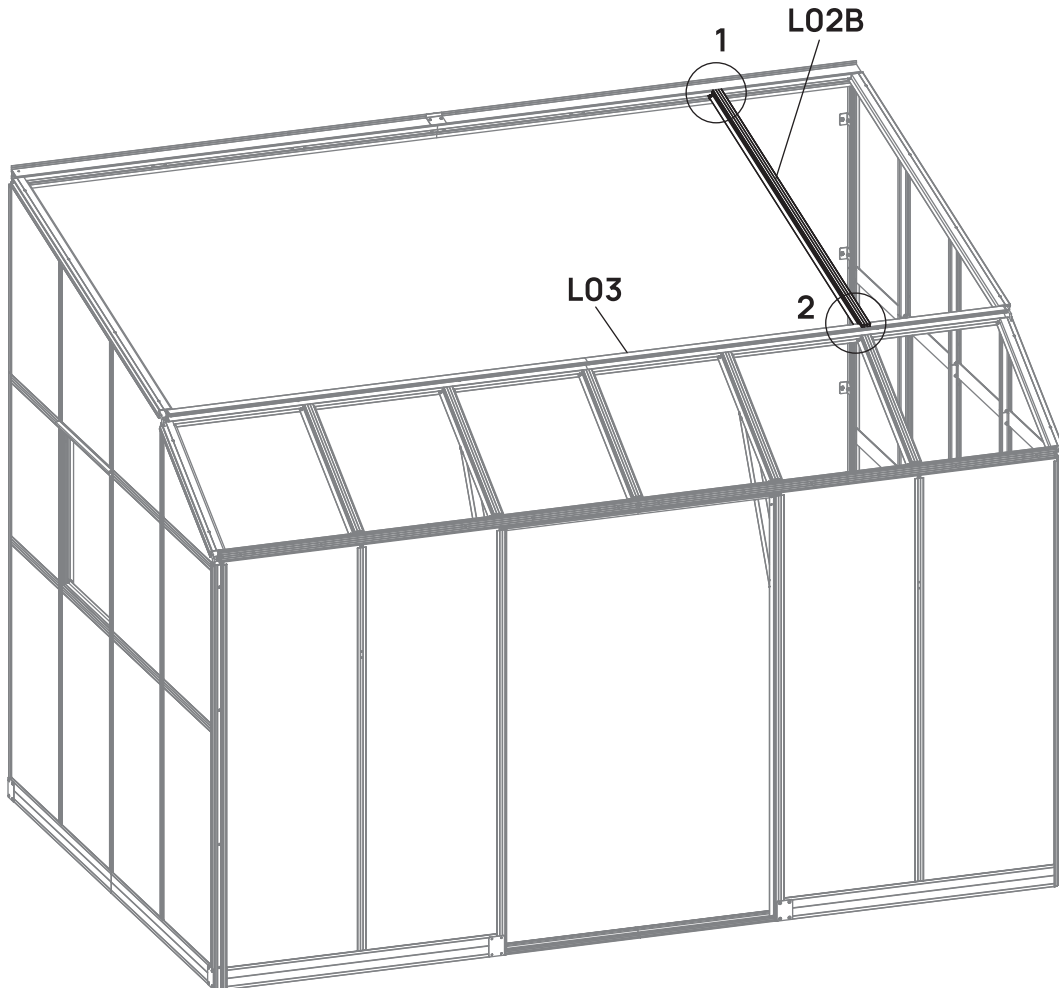
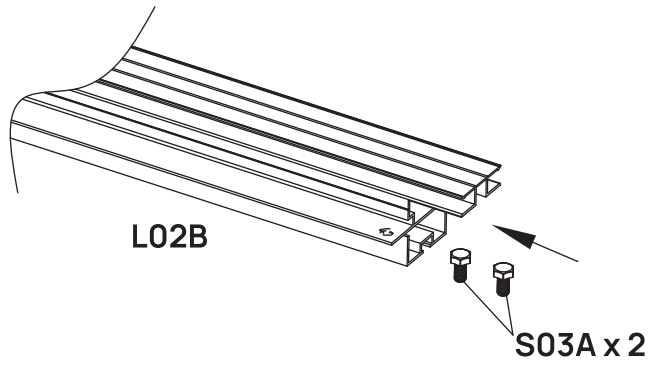
BOX	PART	NO	QTY
ALBOX-3		L02C	3
ALBOX-3		S03A M6X10	12
ALBOX-3		M24 M6	12



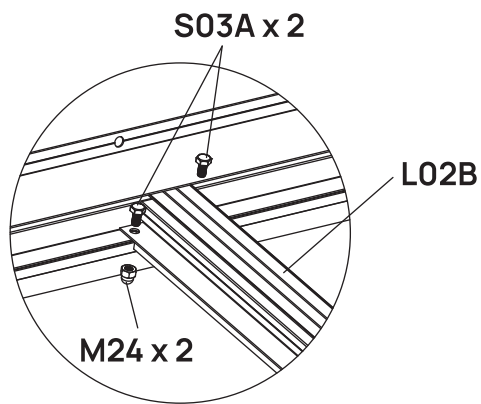
STEP
07

Slide 2 S03A bolt heads into the grooves of the L02B rafter frames as shown, then attach L02B onto ledger board and beam frames. Secure with S03A and M24.

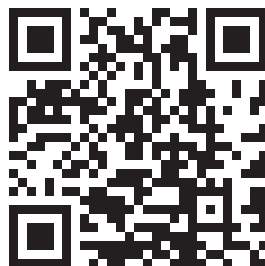
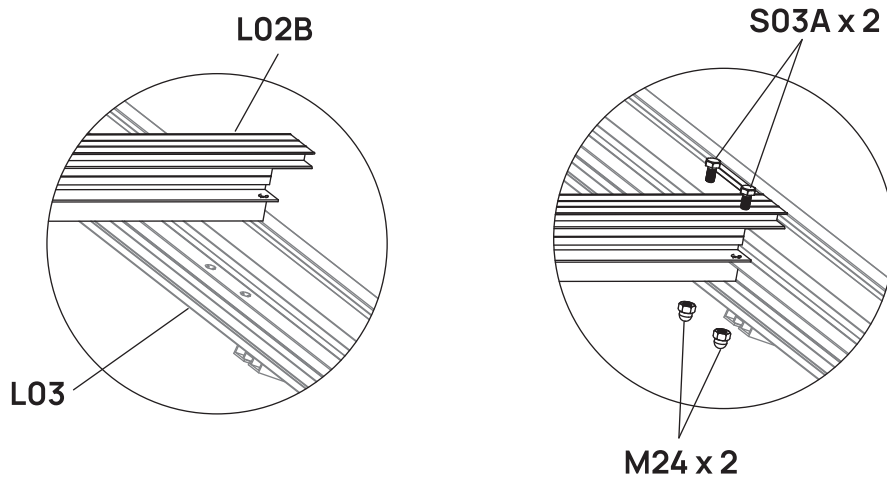
BOX	PART	NO	QTY
ALBOX-1		L02B	1
ALBOX-3		S03A M6X10	6
ALBOX-3		M24 M6	4



1





2

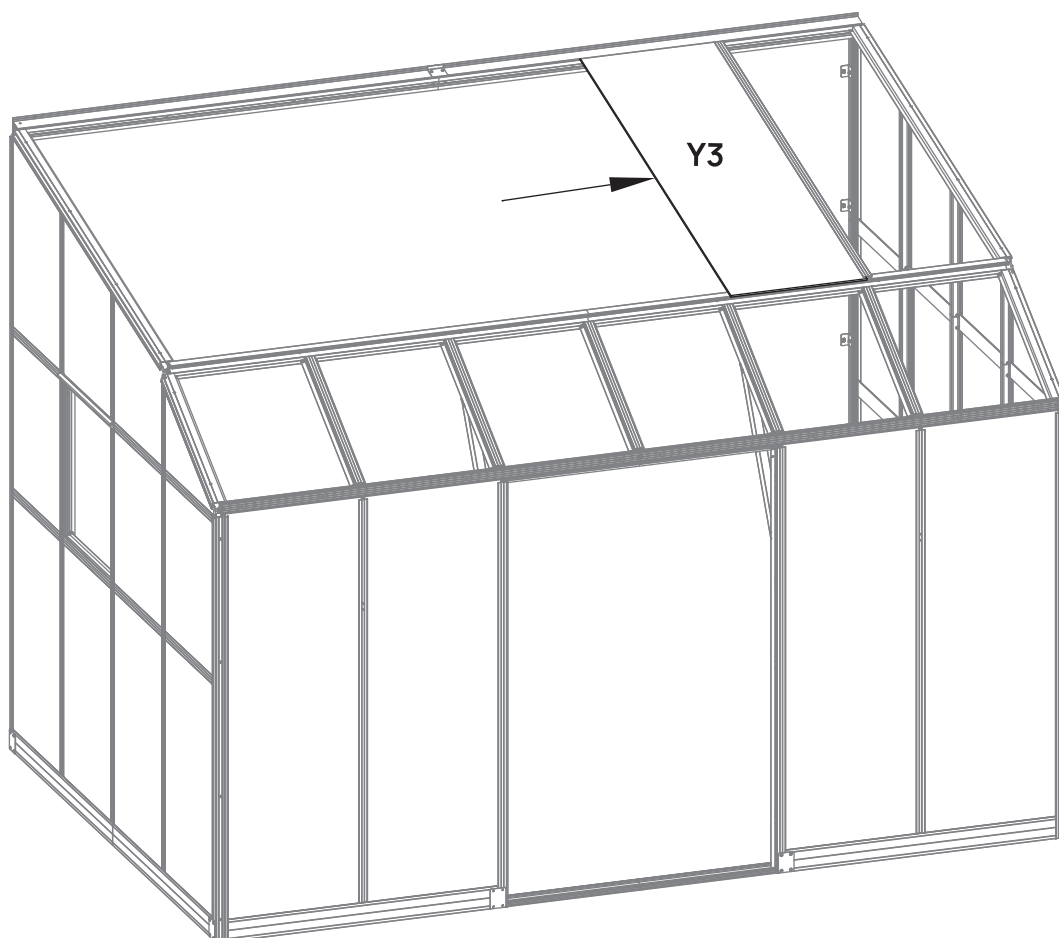





vegogarden.com

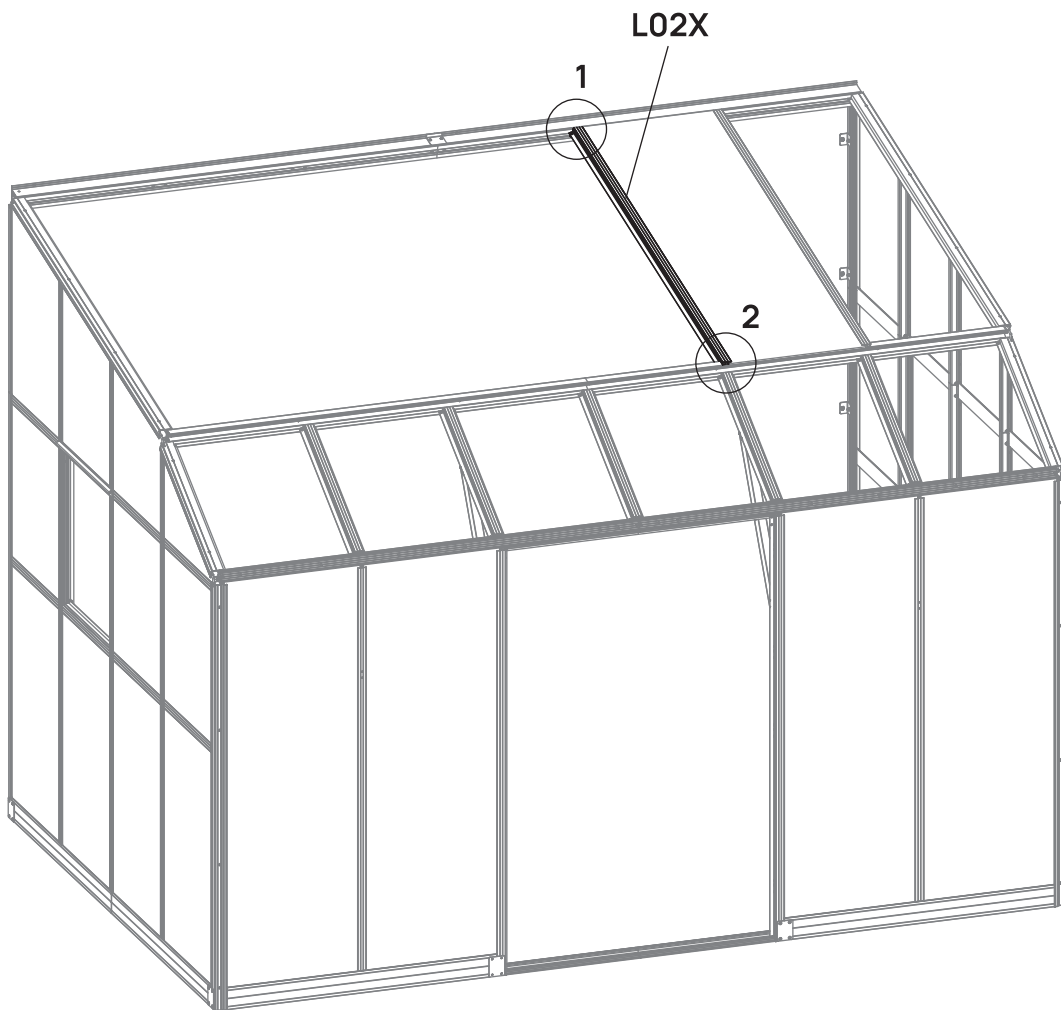
STEP
08

Insert Y3 panels into place, then attach L02X rafter frame as shown.

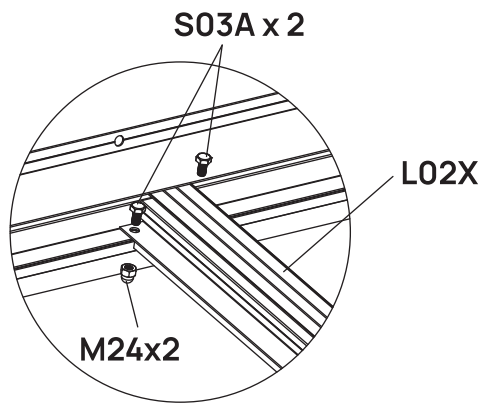
BOX	PART	NO	QTY
PCBOX-1		Y3	1
PCBOX-1		H159 H158	1



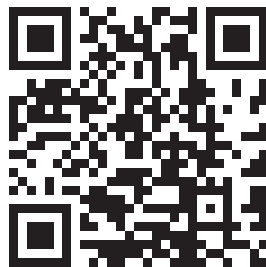
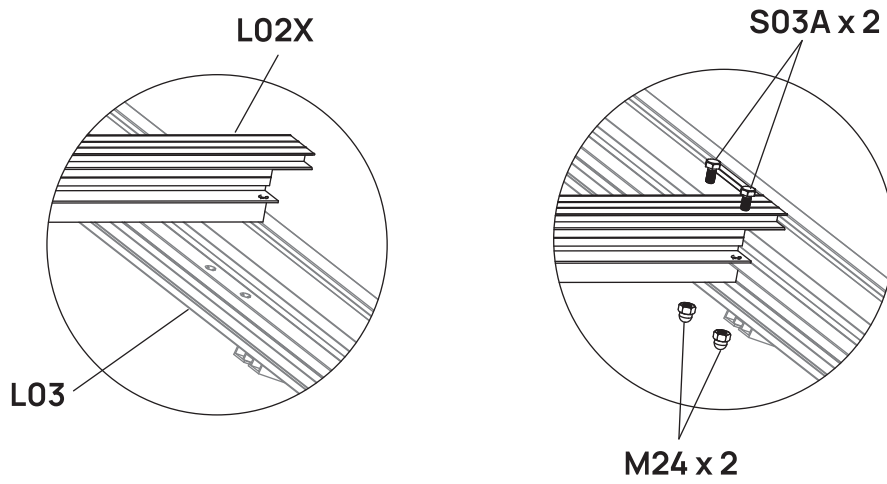
BOX	PART	NO	QTY
ALBOX-1		L02X	1
ALBOX-3		S03A	4
		M6X10	
ALBOX-3		M24	4
		M6	



1




2

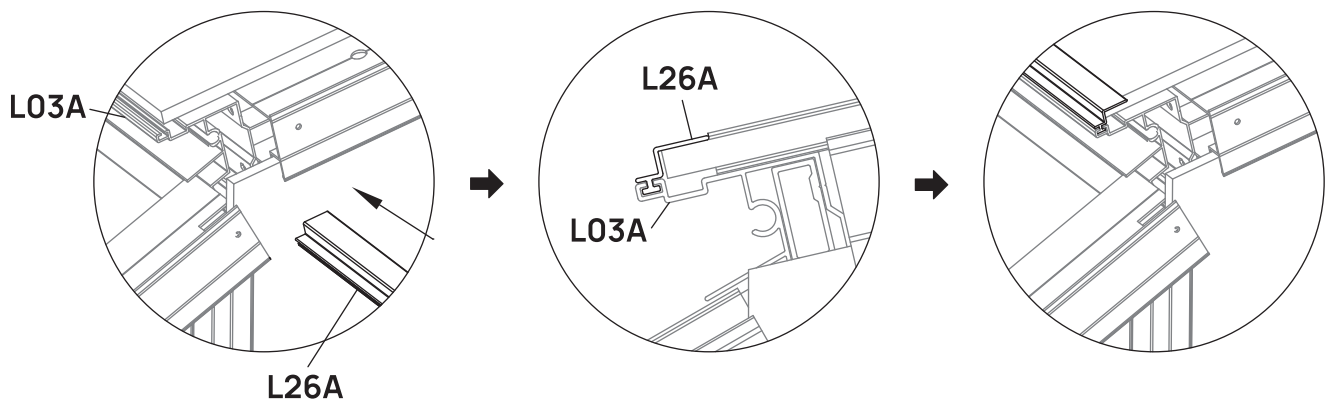
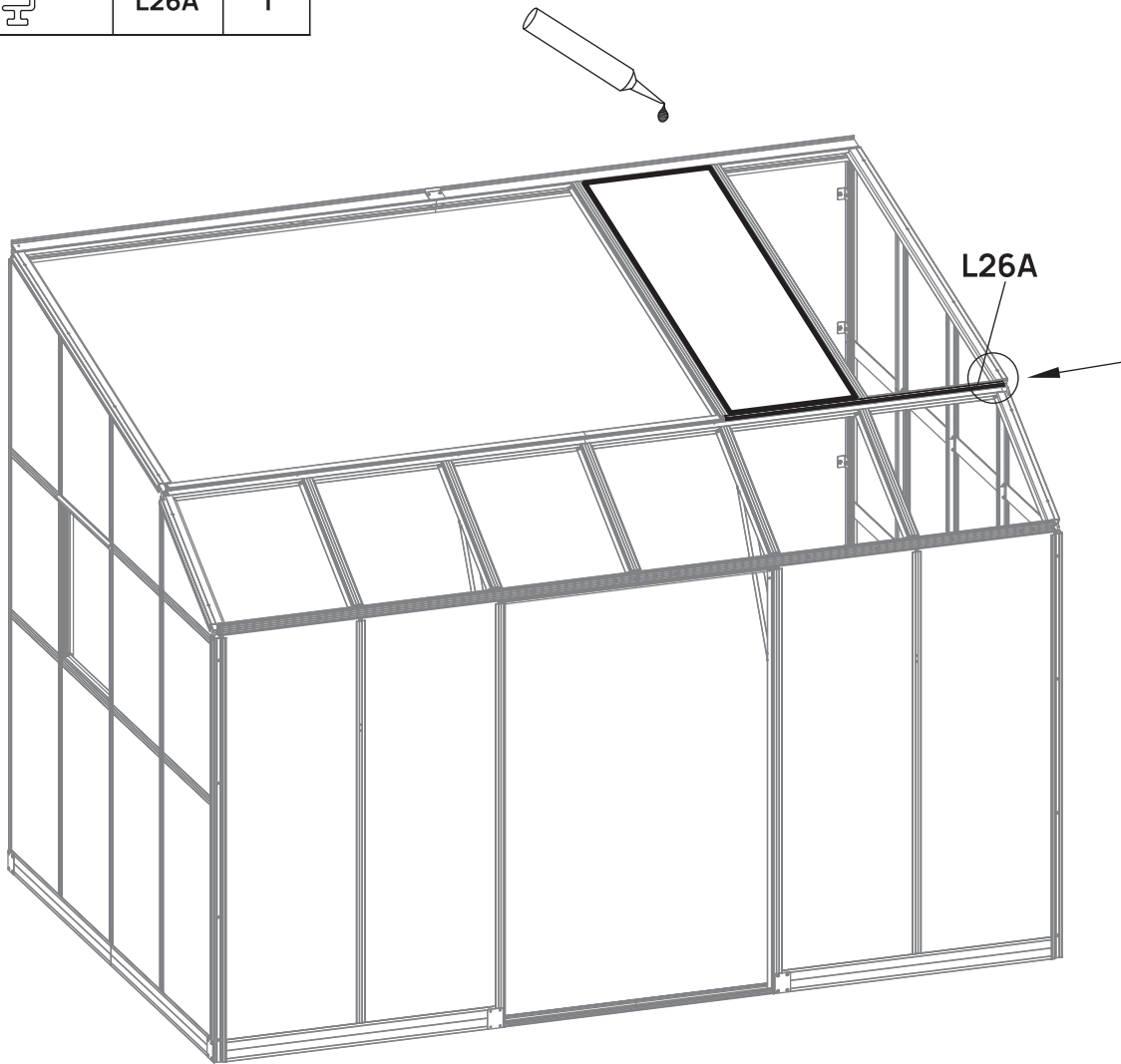


vegogarden.com

STEP
09


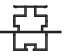
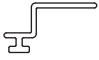


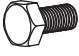

Apply silicone caulk (not included) around PC panels to seal as shown.
Slide the L26A bottom cover into the L03A frame to secure the PC panel in place.

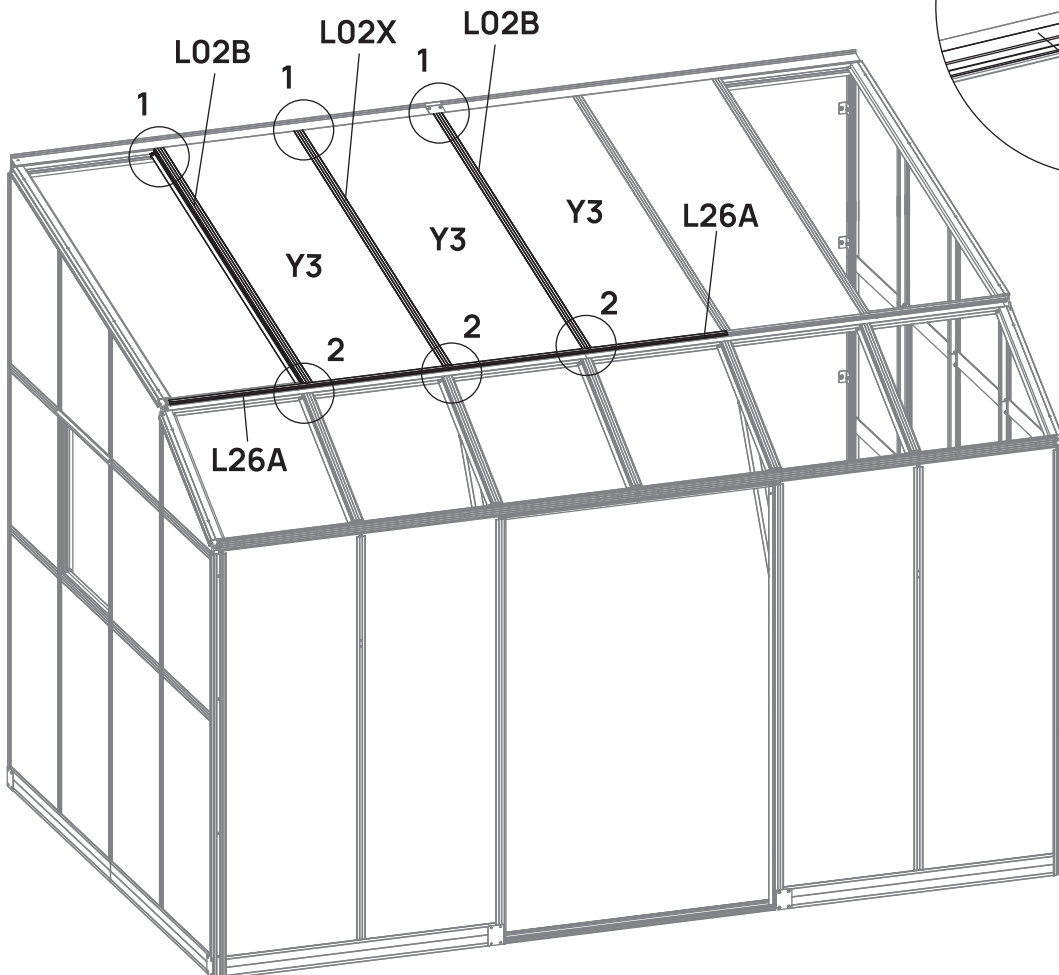
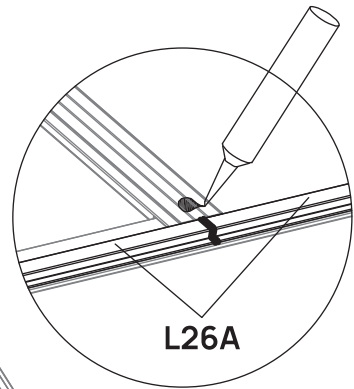
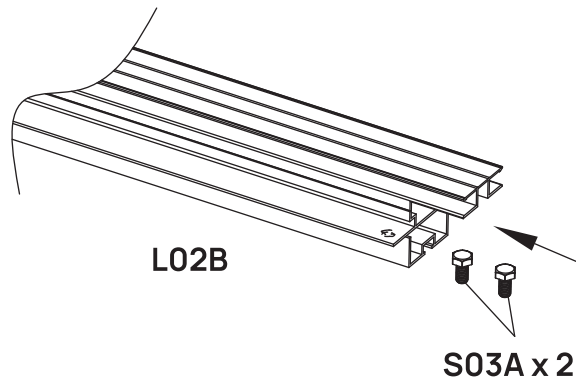
BOX	PART	NO	QTY
ALBOX-2		L26A	1



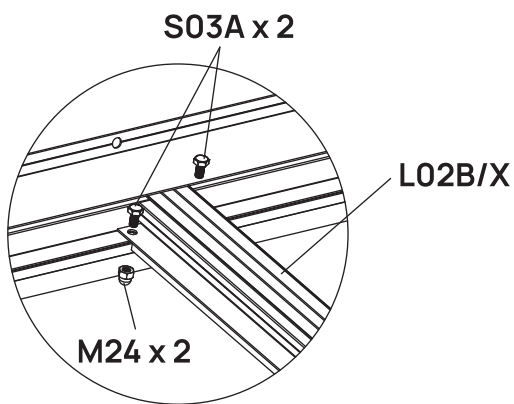
STEP
10

Slide 2 S03A bolt heads into the grooves of the L02B rafter frames as shown. Repeat the previous steps to install the rest of panels and L02 frames as shown. Apply silicone caulk (not included) around PC panels to seal. Slide the remaining L26A bottom covers into the L03A frame to secure the PC panel in place. Apply silicone caulk (not included) to the seam between each L26A sections to seal.

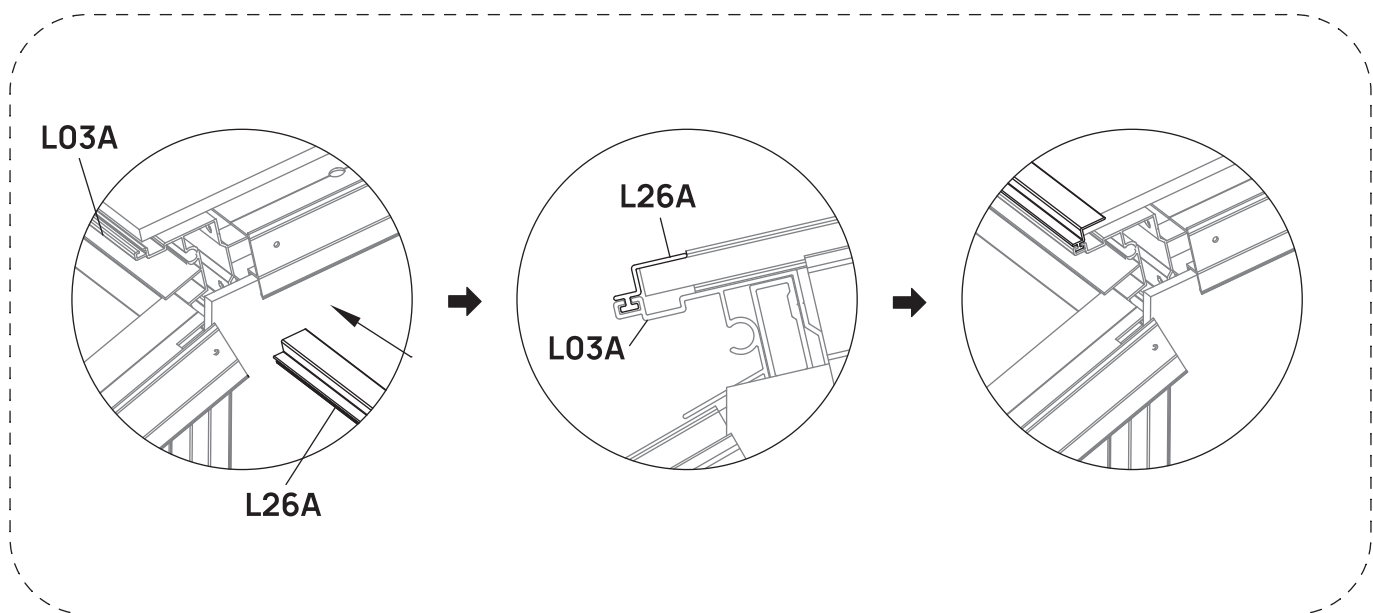
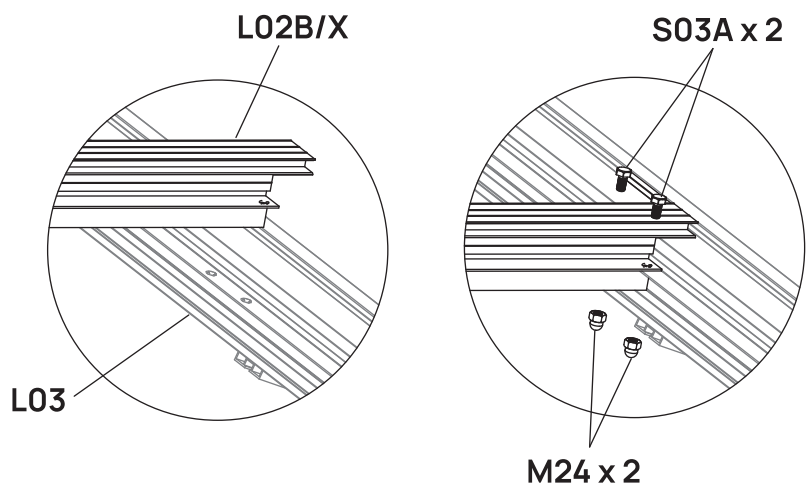
BOX	PART	NO	QTY
ALBOX-1		L02B	2
ALBOX-1		L02X	1
ALBOX-2		L26A	2
PCBOX-1		Y3	3
PCBOX-1		H159	1
		H158	
ALBOX-3		S03A	16
		M6X10	
ALBOX-3		M24	12
		M6	



1





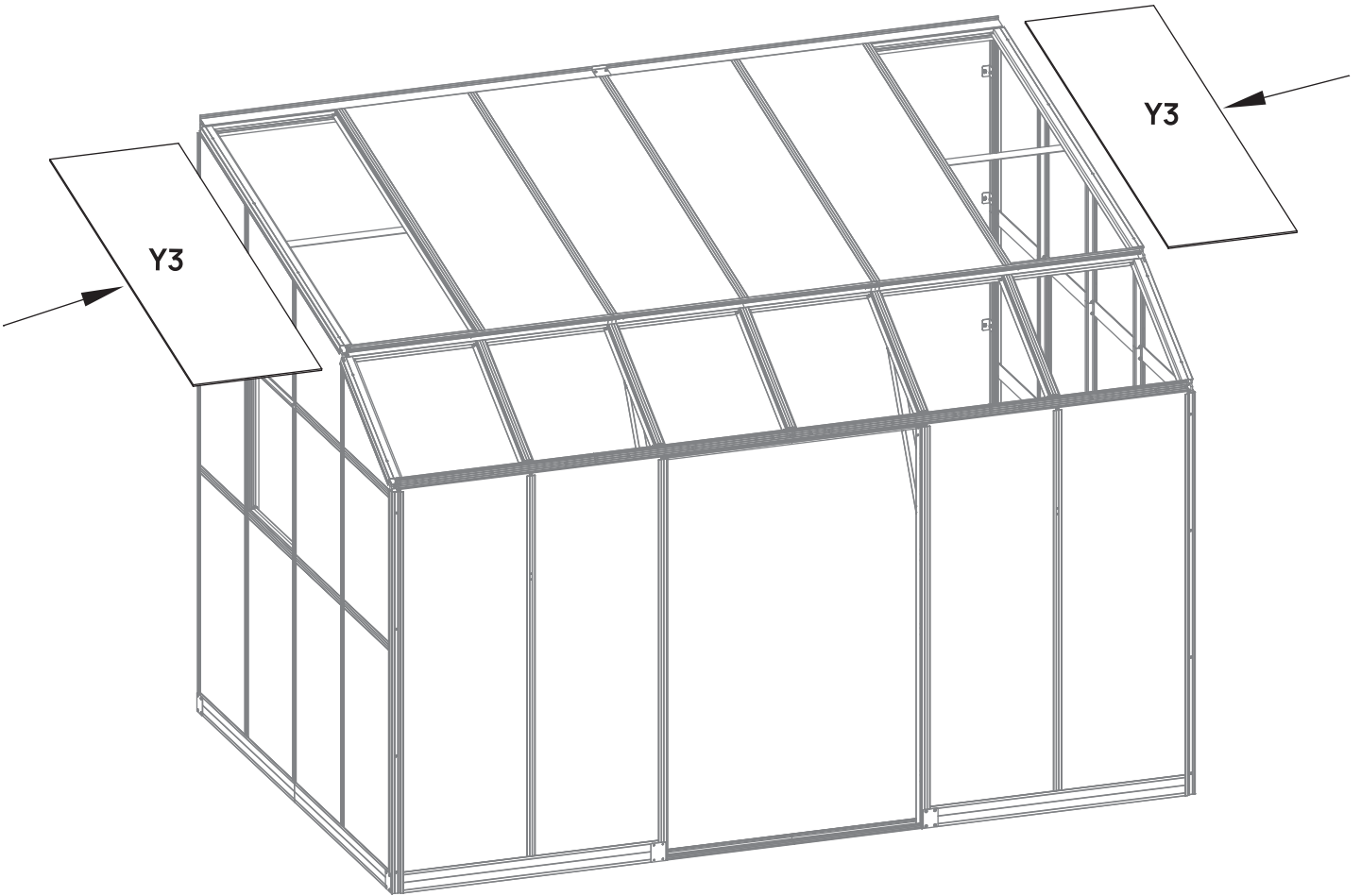
2



STEP
11



Insert the last Y3 panels as shown.

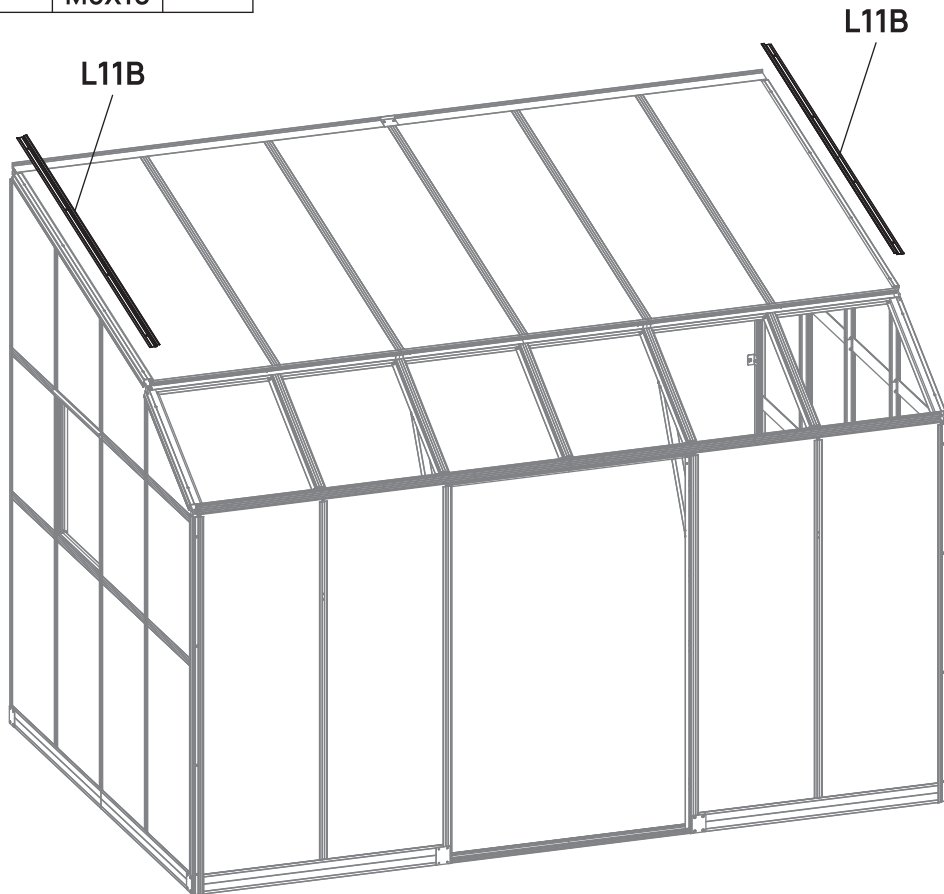
BOX	PART	NO	QTY
PCBOX-1		Y3	2
PCBOX-1		H159	1
		H158	



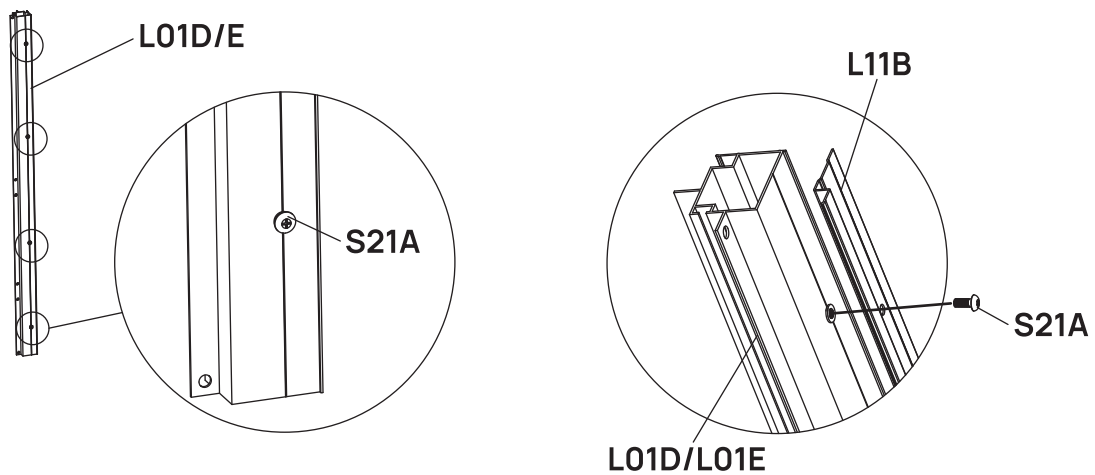
STEP
12

Attach L11B cover frames onto L01 frames to secure the outermost PC panels as shown, using the removed S21A bolts.

BOX	PART	NO	QTY
ALBOX-1		L11B	2
Pre-installed		S21A M6X10	8

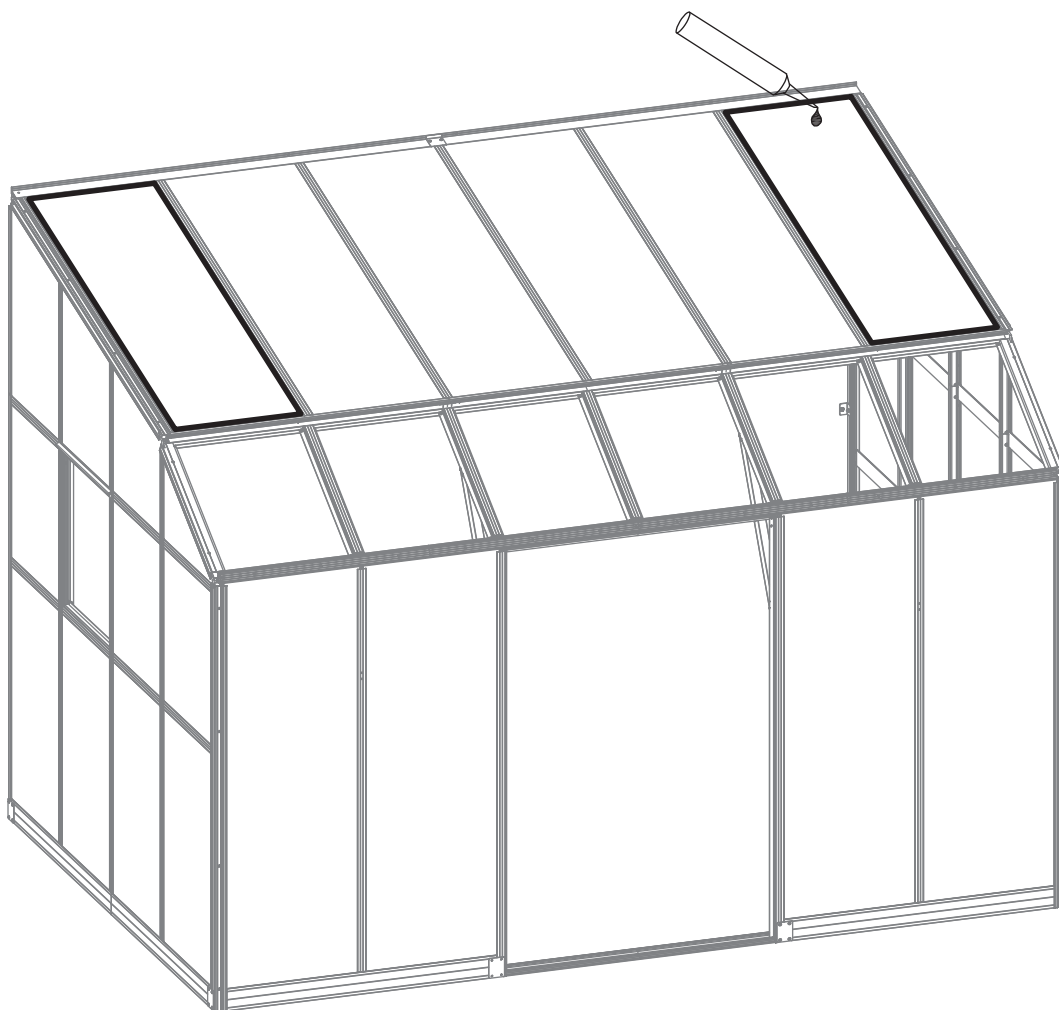


Remove the pre-installed S21A bolts from the L01 frames.






STEP
13

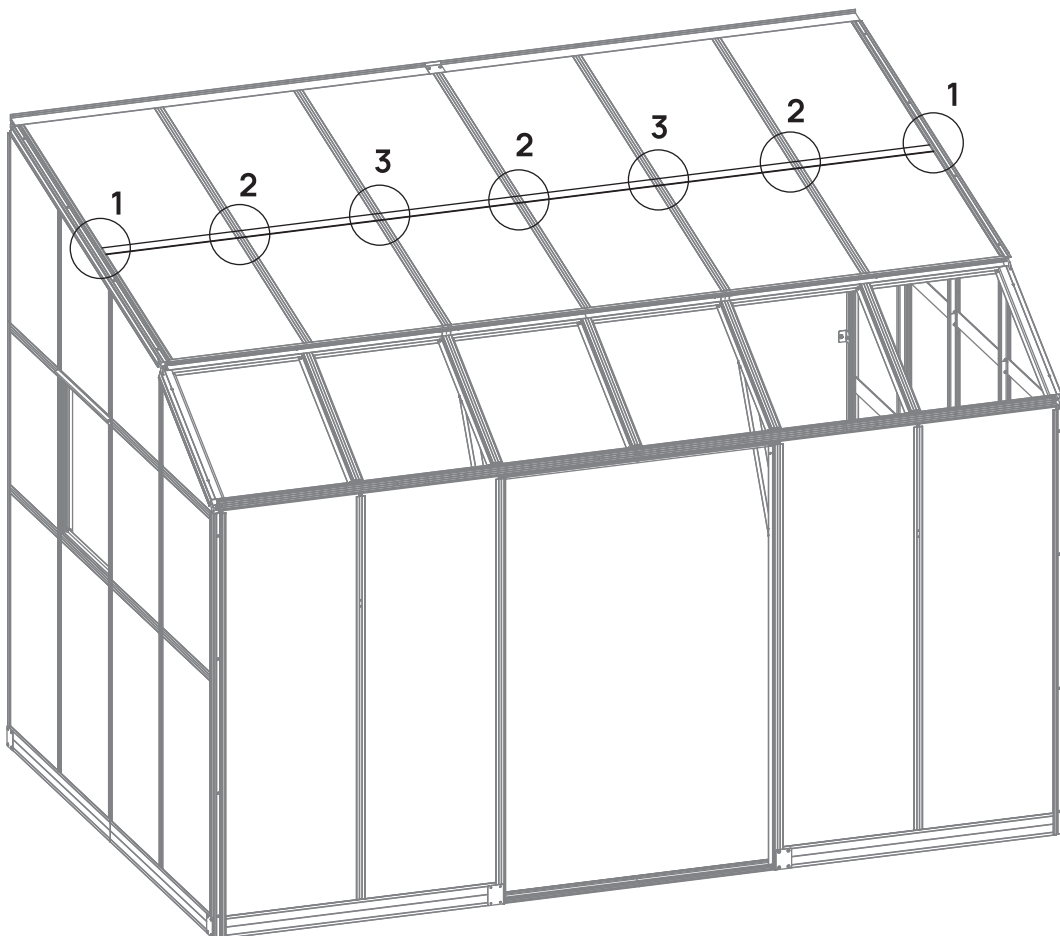
Apply silicone caulk (not included) around PC panels to seal.



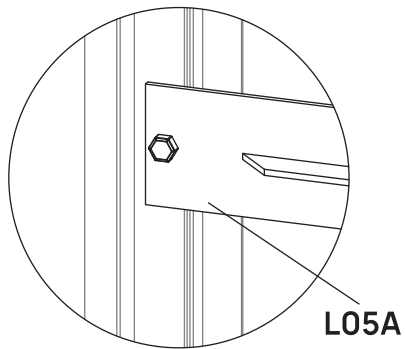
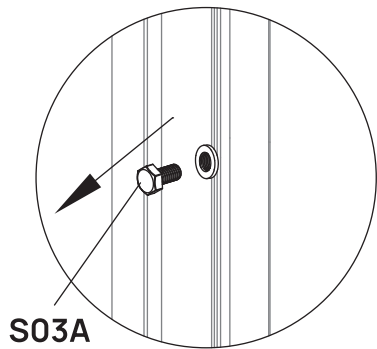
STEP
14

Assemble L05A roof connecting frames as shown.

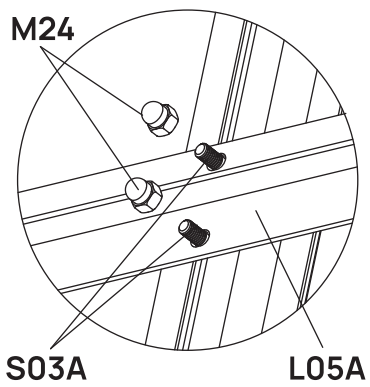
BOX	PART	NO	QTY
ALBOX-2		L05A	3
		S03A	6
		M6X10	
ALBOX-3		M24	6
		M6	



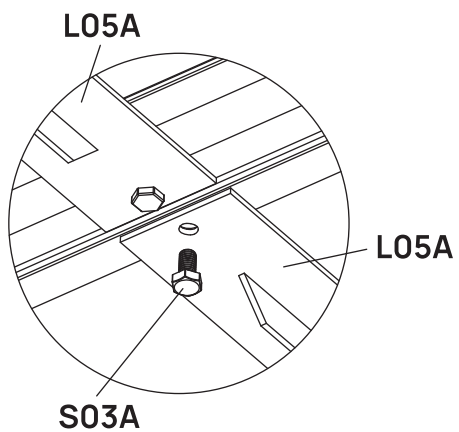
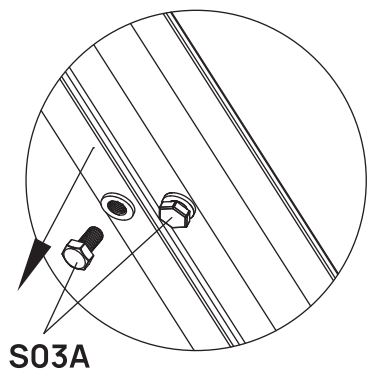
1



2





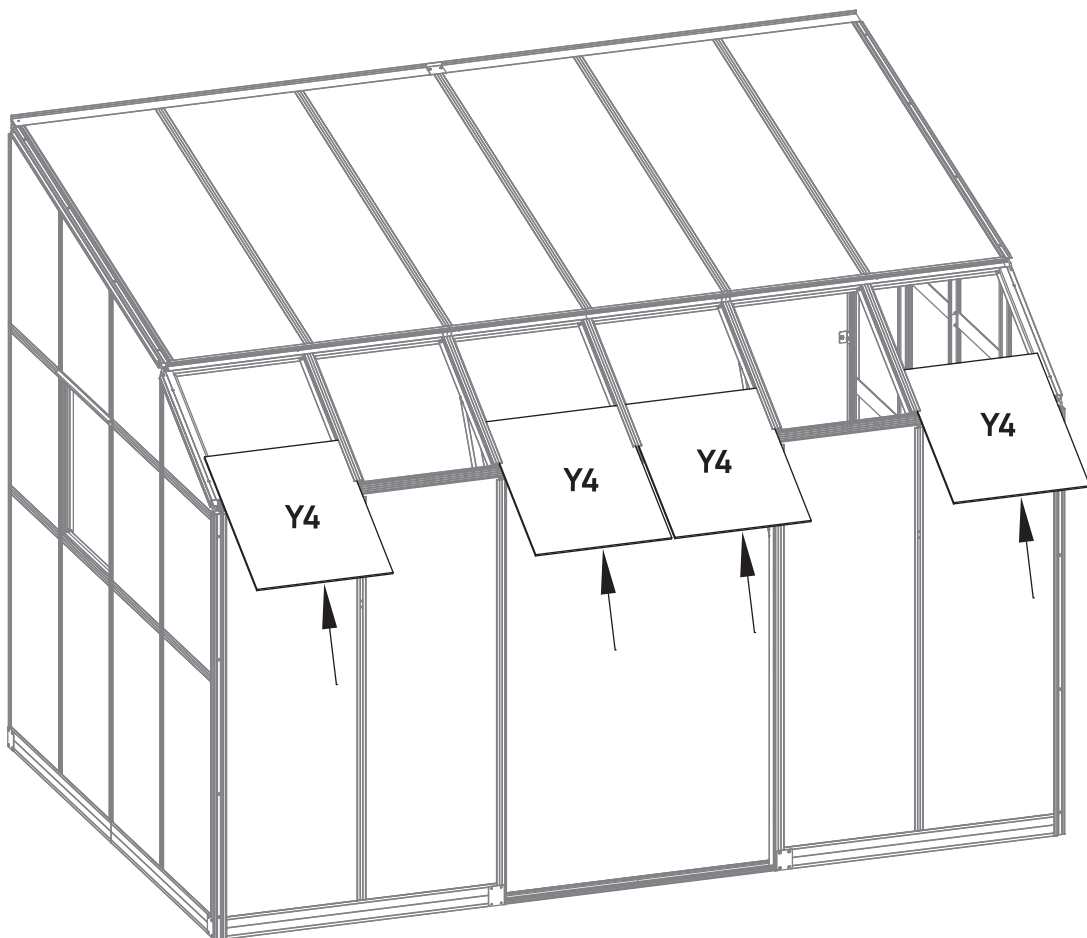
3



STEP
15



Insert Y4 panels as shown.

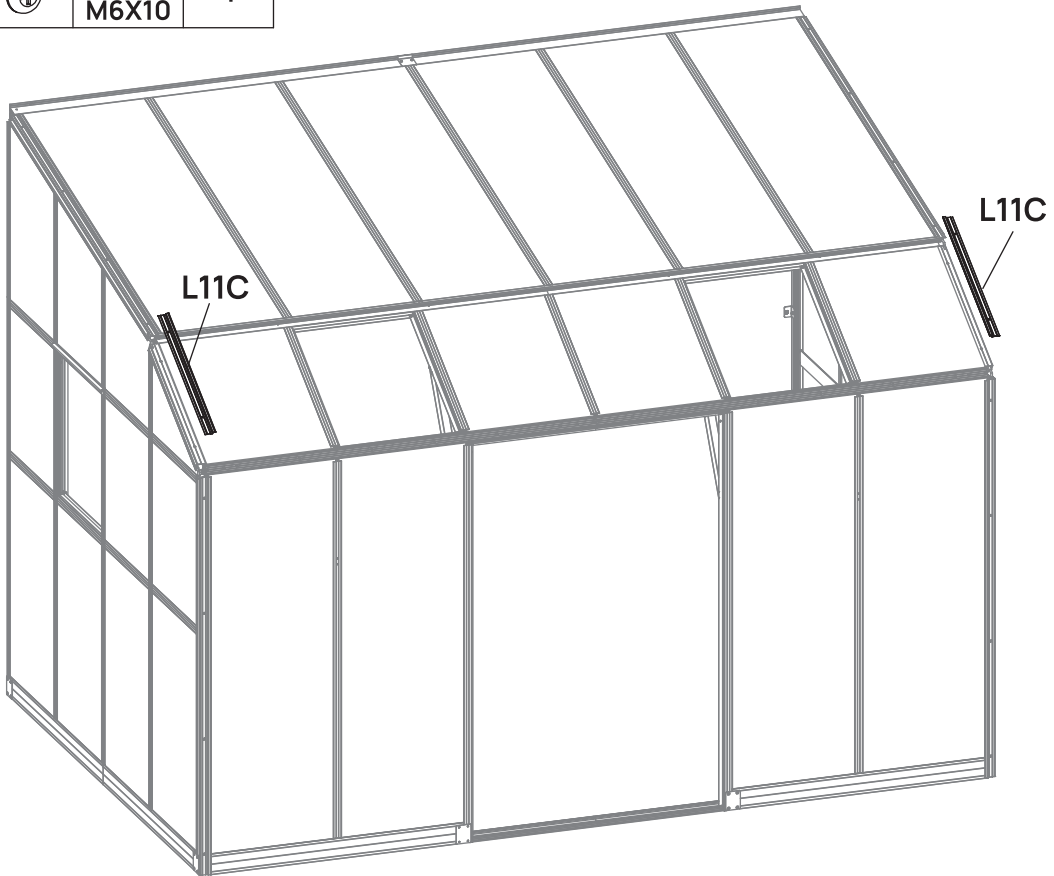
BOX	PART	NO	QTY
PCBOX-1		Y4	4
PCBOX-1		H159 H158	1



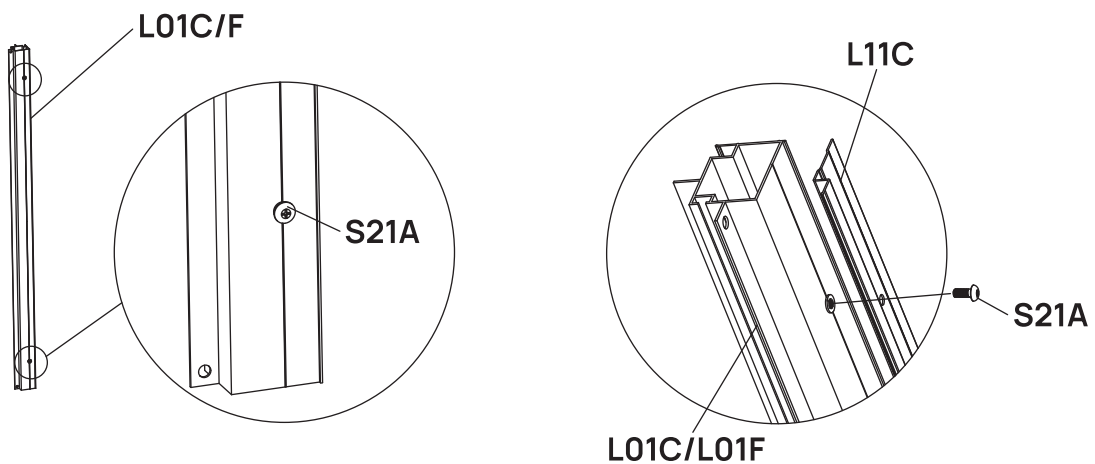
STEP
16

Attach L11C cover frames onto L01 frames to secure the outermost PC panels as shown, using the removed S21A bolts.

BOX	PART	NO	QTY
ALBOX-1		L11C	2
Pre-installed		S21A M6X10	4








Remove the pre-installed S21A bolts from the L01 frames.

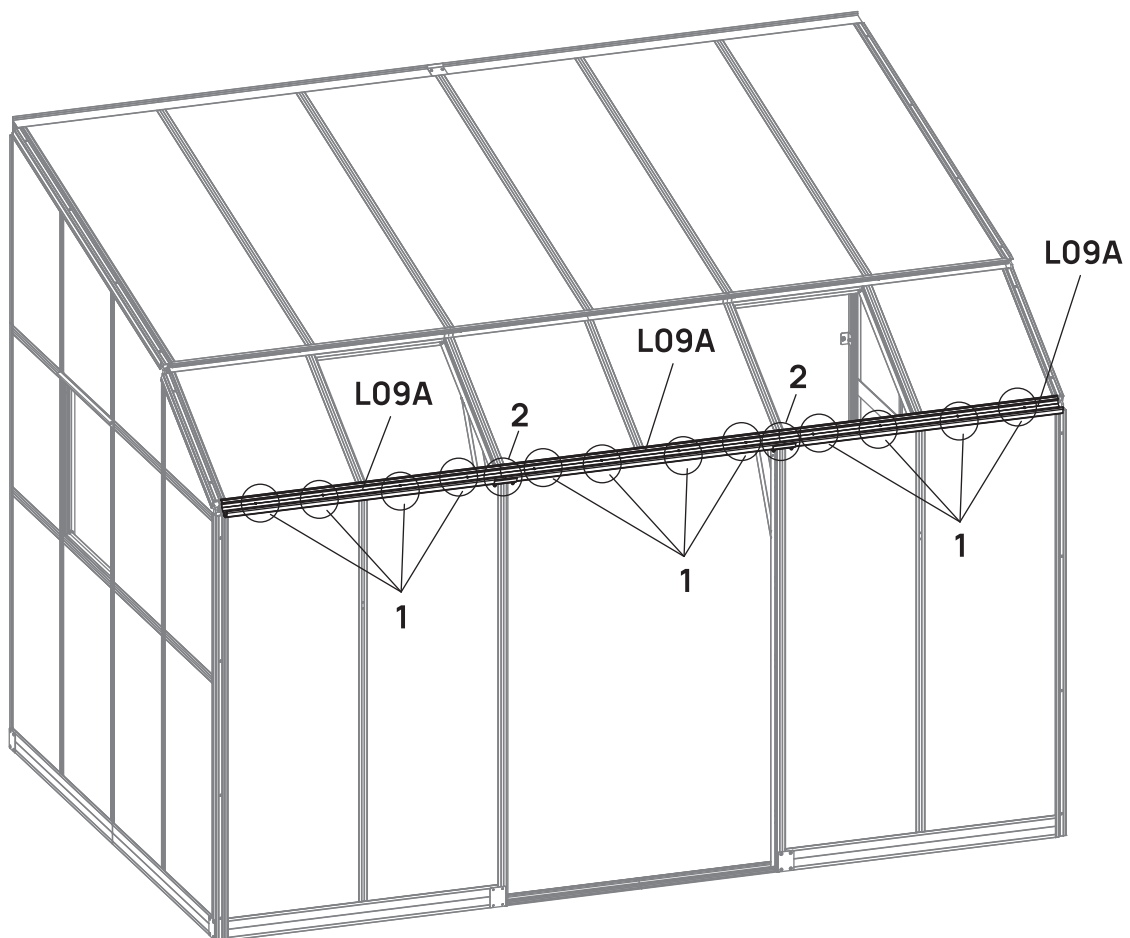


Gutter Assembly

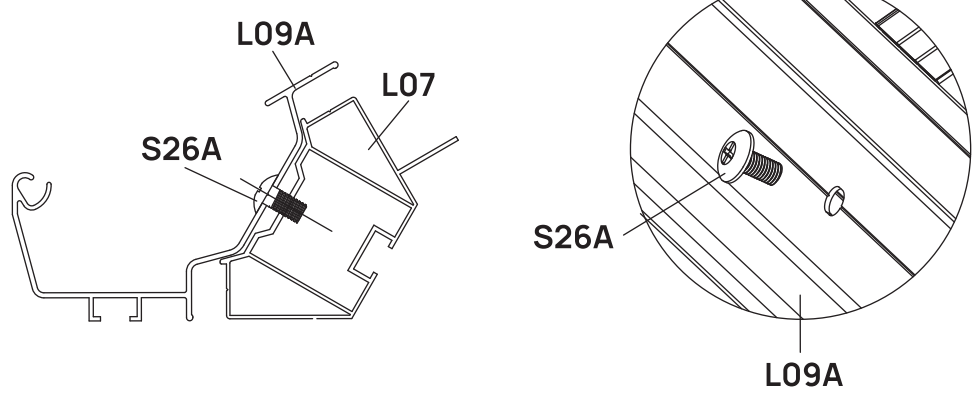
STEP 01

Remove the pre-installed S26A bolts from L07 frames, then attach gutter frames onto eave frames as shown, using S26A.

BOX	PART	NO	QTY
ALBOX-2		L09A	3
ALBOX-3		D25	2
		S26A M5X12	12
ALBOX-3		S03A M6X10	4
ALBOX-3		M24 M6	4

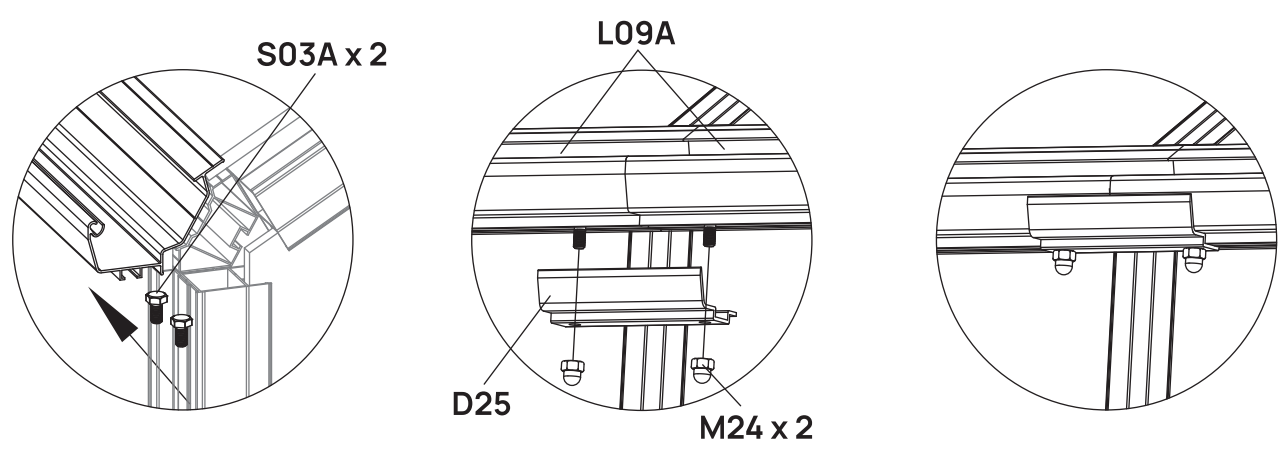


1



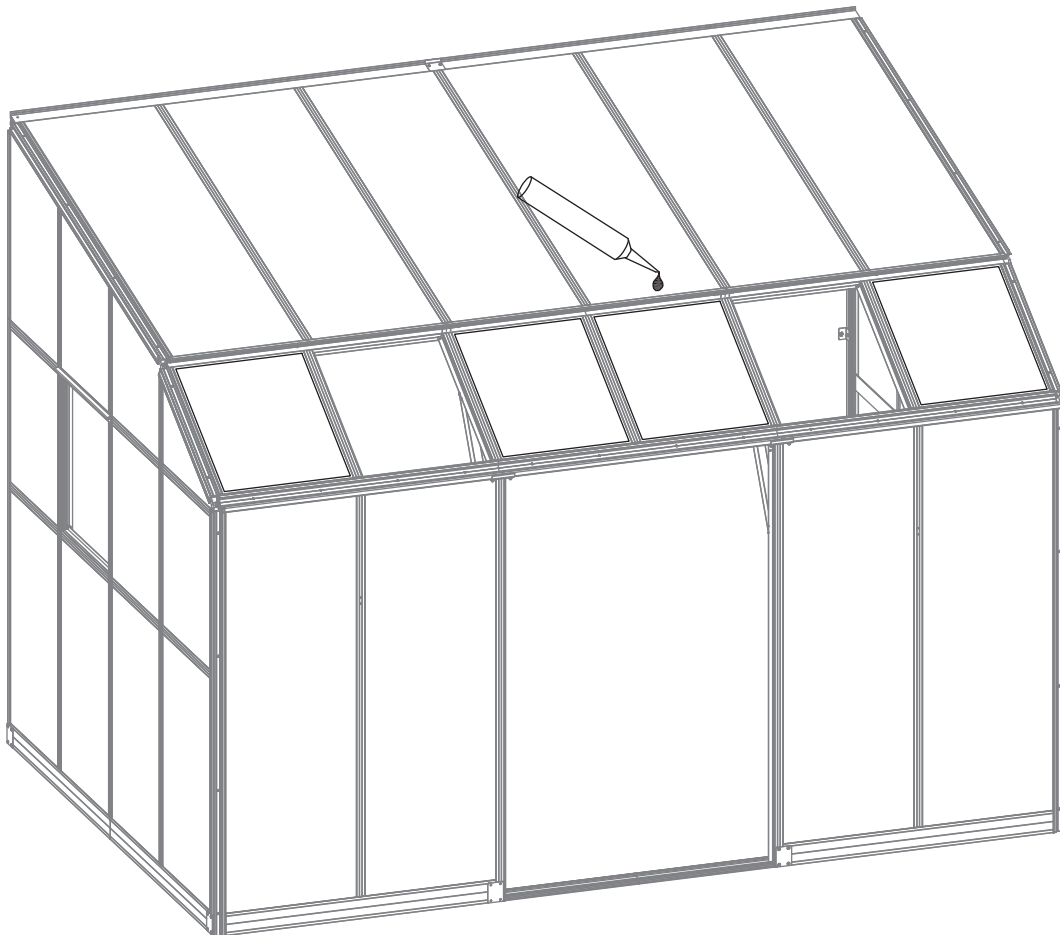
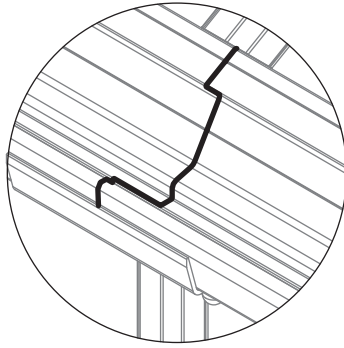
2

Slide S03A bolts in the grooves of the frames, position them as shown in the diagram.
Secure the D25 gutter connectors with M24 nuts.




STEP
02

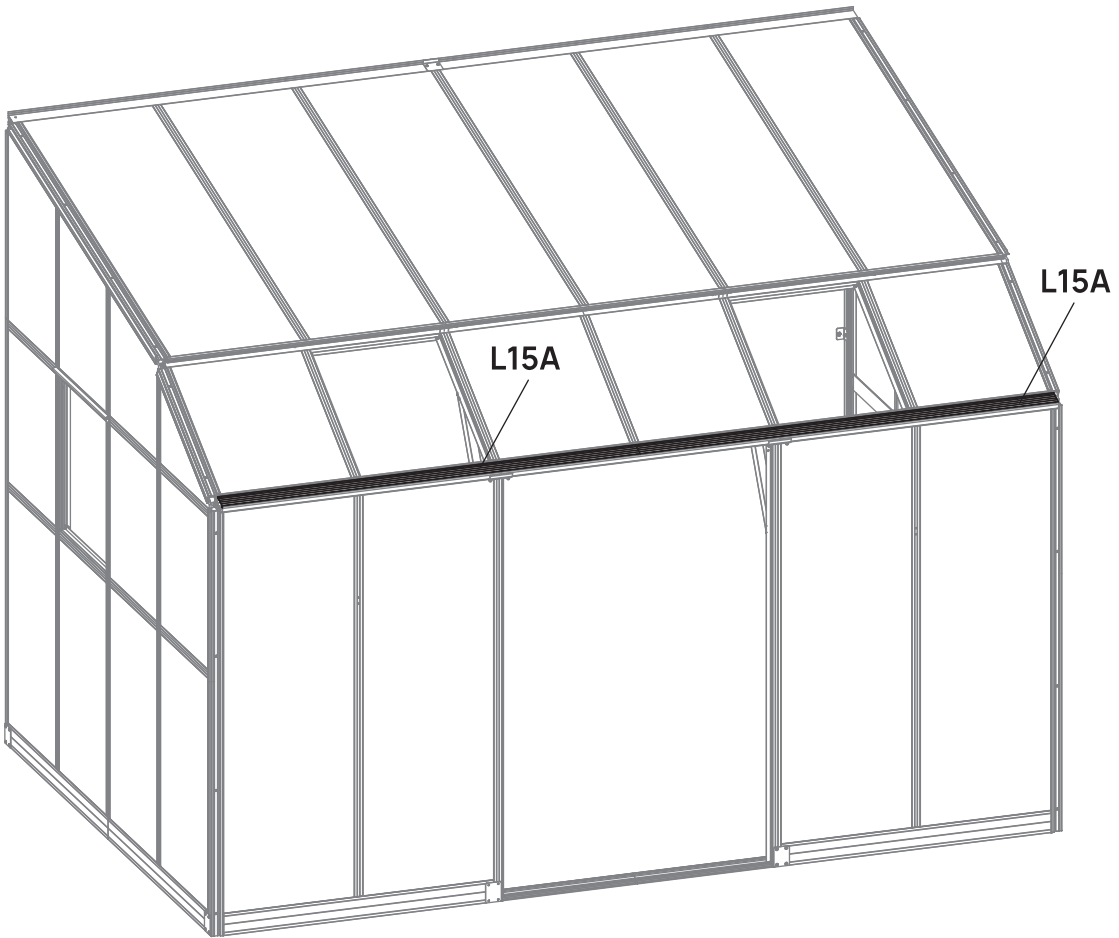
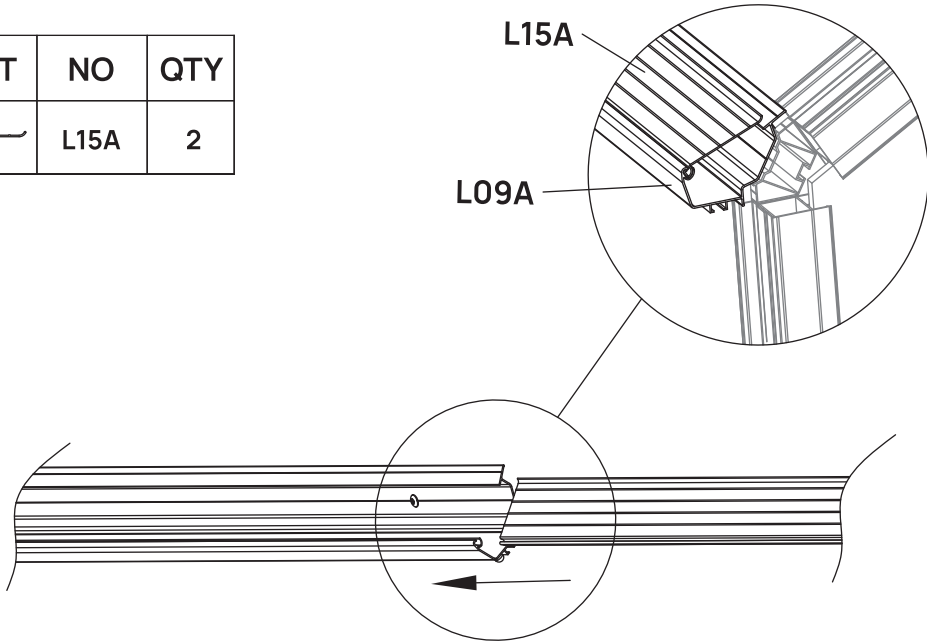
Apply silicone caulk (not included) around all PC panels and the gaps of gutter pieces to seal.



STEP
03

Slide the L15A gutter cover in place as shown, test to make sure the cover can flip open easily.

BOX	PART	NO	QTY
ALBOX-1		L15A	2









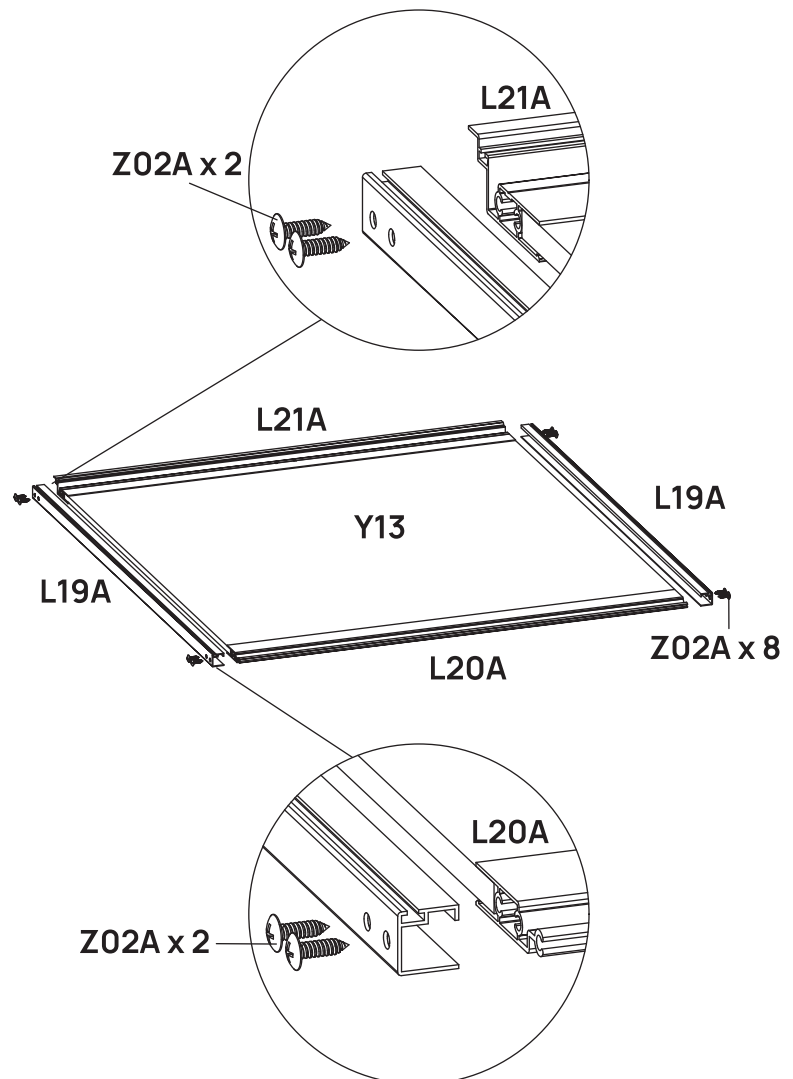
Vent Assembly

STEP 01

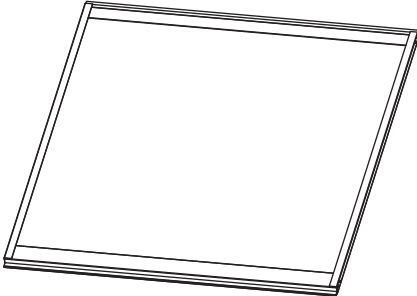
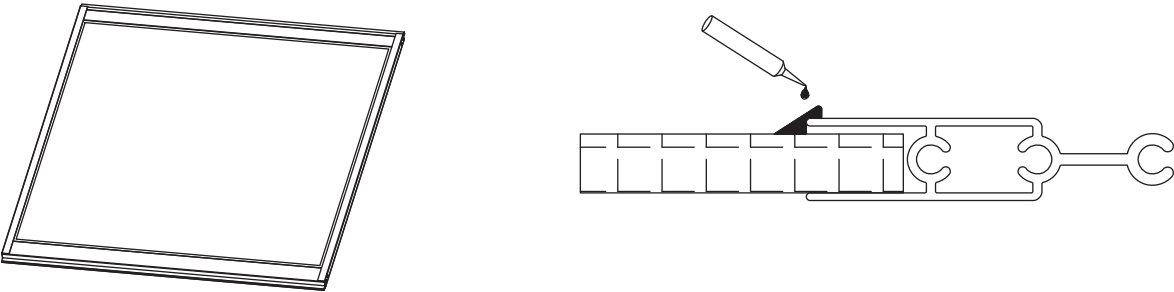
With the UV-Protected side of the PC panel facing downward, assemble 2 sets of C1 roof vents as shown, using Z02A screws.

Make sure the profiles with weather stripping are positioned on the same side, trim any excess stripping from the ends.

BOX	PART	NO	QTY
ALBOX-3		L19A	4
ALBOX-3		L20A	2
ALBOX-3		L21A	2
PCBOX-1		Y13	2
ALBOX-3		Z02A Ø4X16D	20
PCBOX-1		H158 H159	1



Apply silicone caulk (not provided) around all PC panels to seal.






C1 x 2

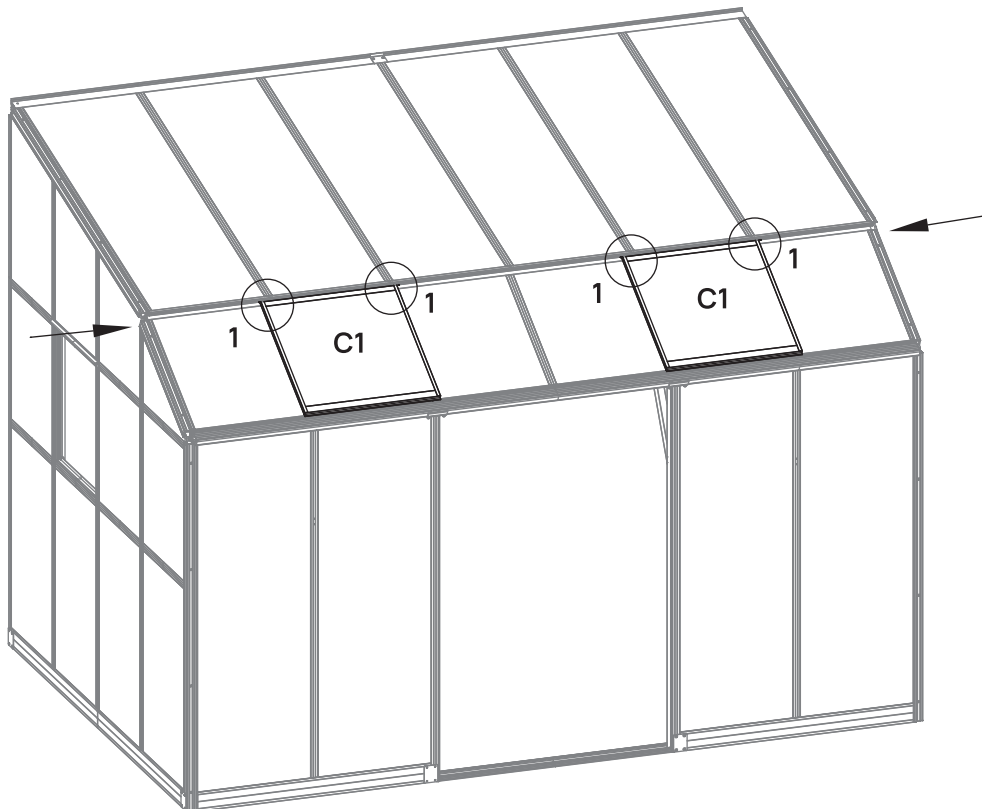
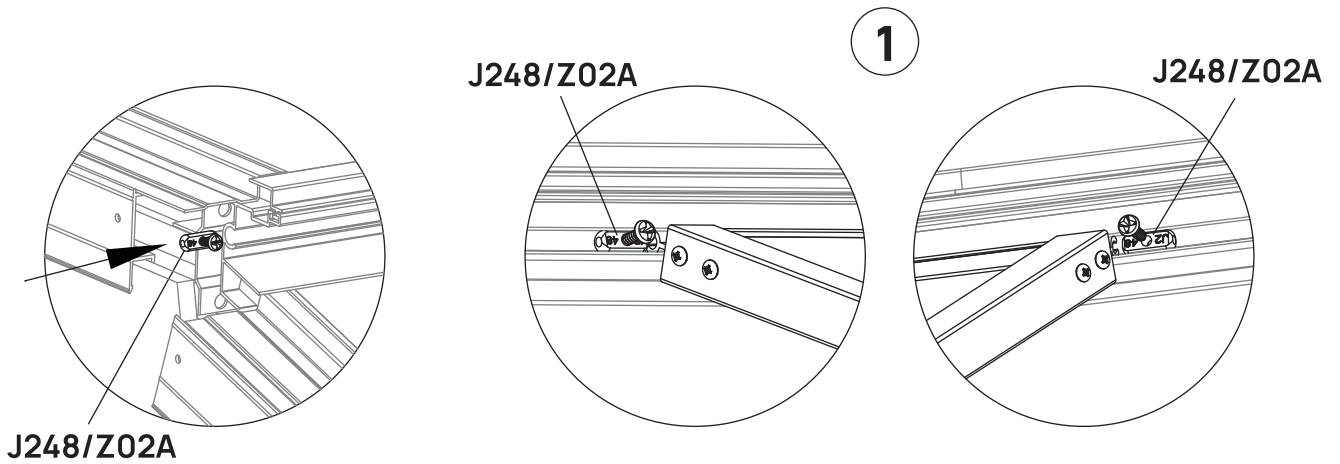
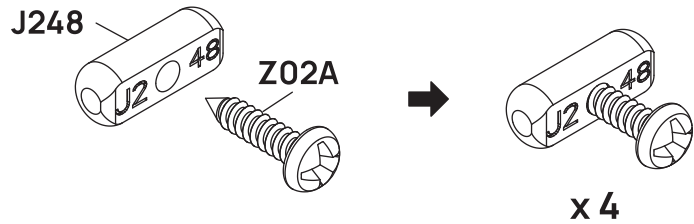


vegogarden.com

STEP
02

A total of 4 pieces of J248 stoppers are required to secure the vents. Following the sequence **Stopper - C1 Vent - Stopper**, insert them from the left and right sides as shown, then secure them with Z02A screws.







BOX	PART	NO	QTY
		C1	2
ALBOX-3		J248	4
ALBOX-3		Z02A Ø4X16	4

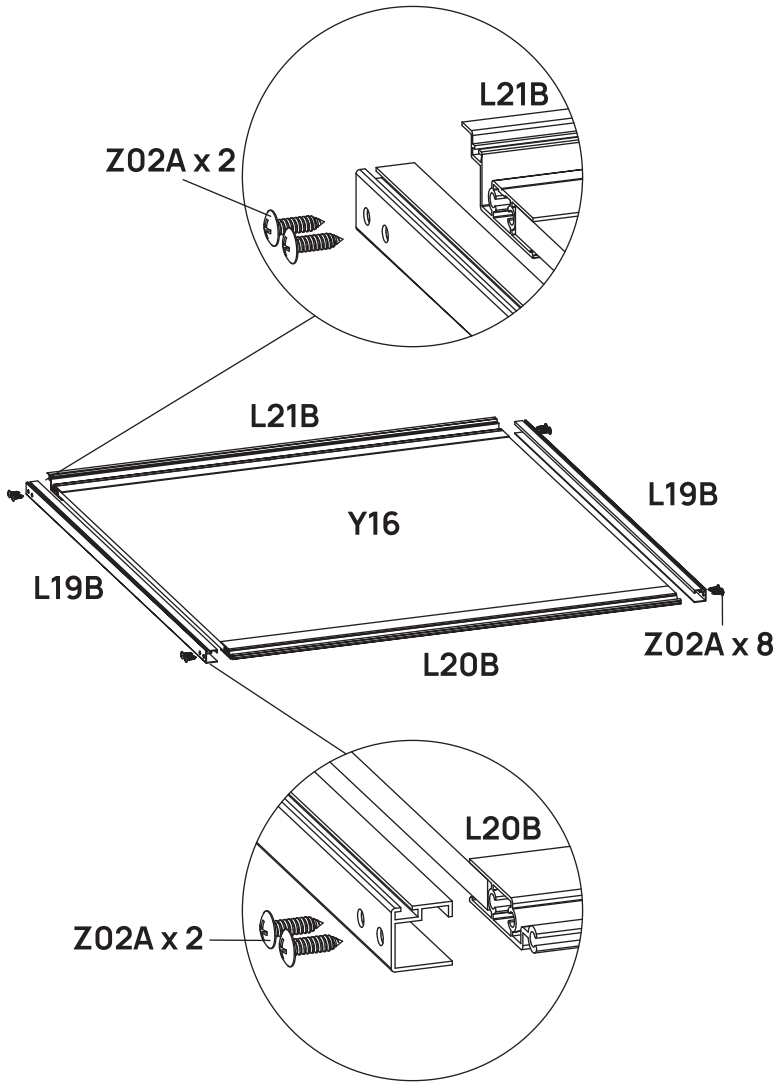


STEP
03

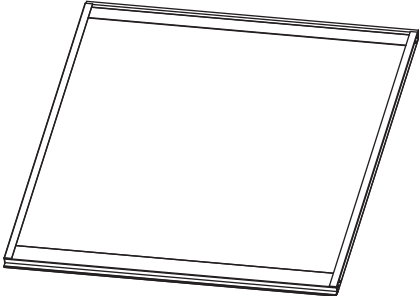
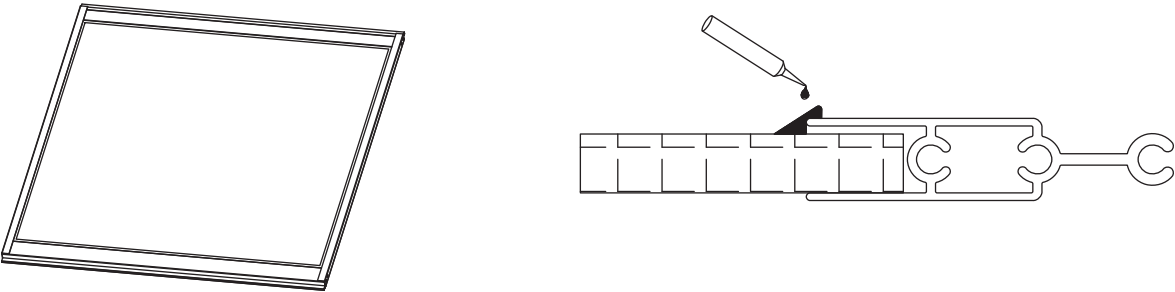
With the UV-Protected side of the PC panel facing downward, assemble 2 sets of C2 side vents as shown, using Z02A screws.

Make sure the profiles with weather stripping are positioned on the same side, trim any excess stripping from the ends.

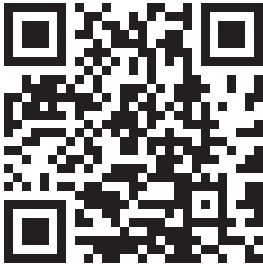
BOX	PART	NO	QTY
ALBOX-3		L19B	4
ALBOX-3		L20B	2
ALBOX-3		L21B	2
PCBOX-1		Y16	2
ALBOX-3		Z02A Ø4X16D	20
PCBOX-1		H158 H159	1



Apply silicone caulk (not provided) around all PC panels to seal.





C2 x 2

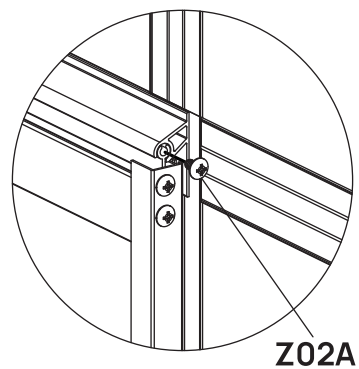
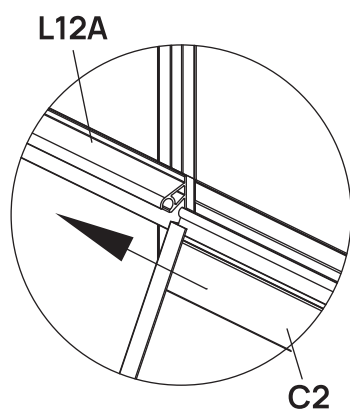
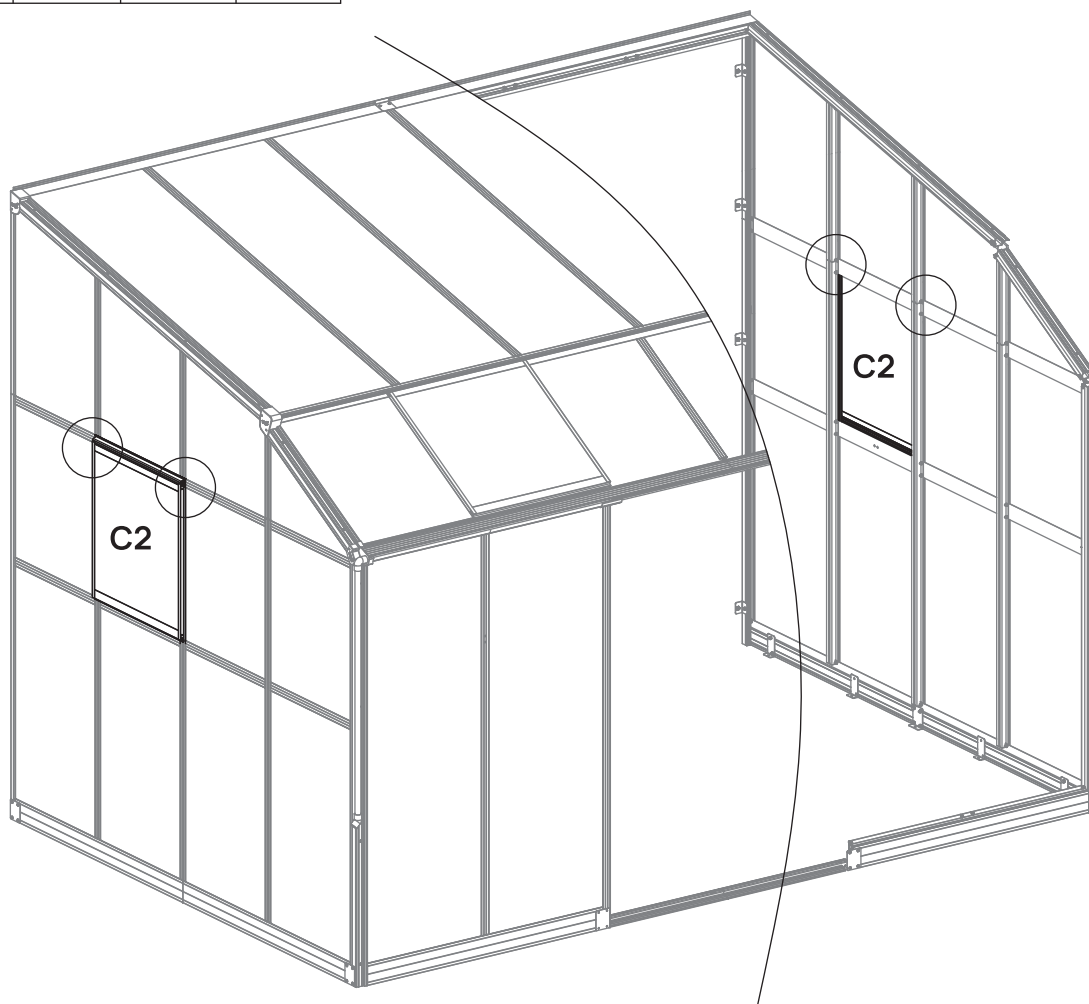


vegogarden.com

STEP
04





Insert C2 vents in place as shown, secure them with Z02A screws.

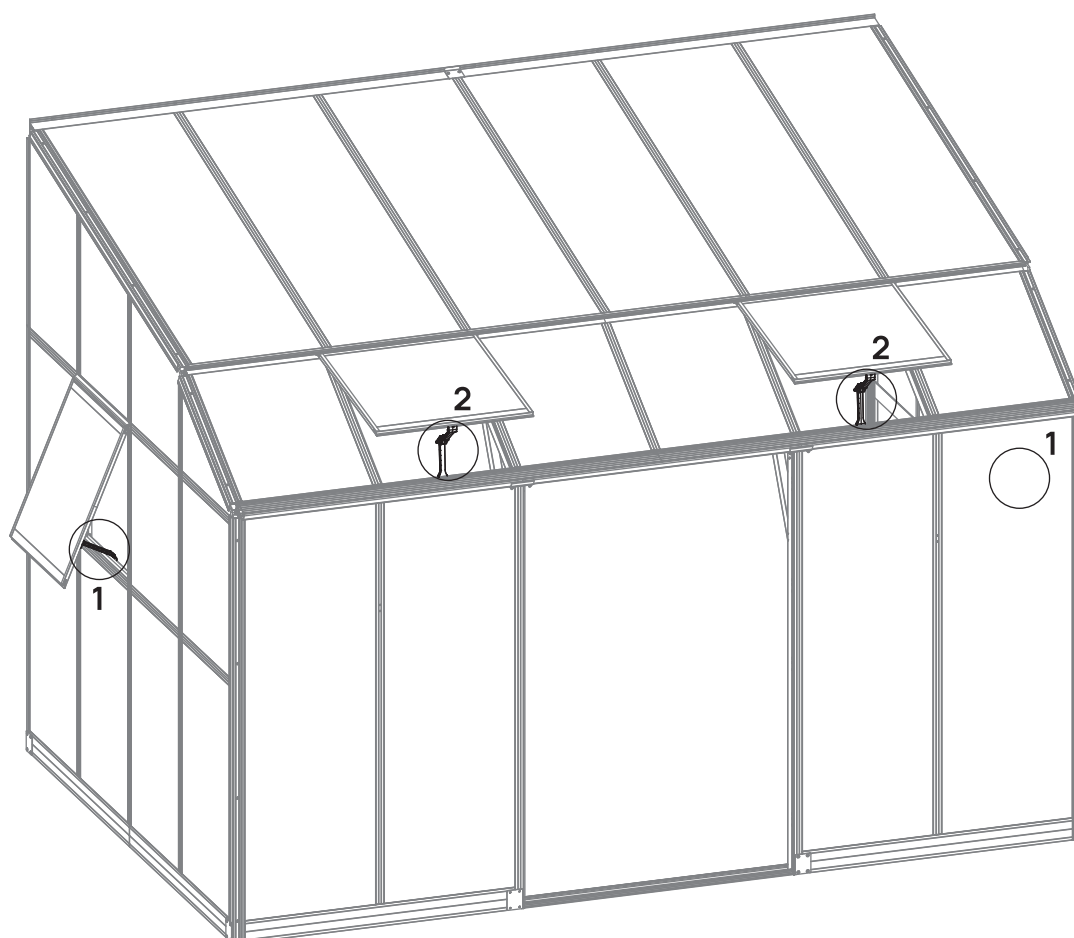
BOX	PART	NO	QTY
		C2	2
ALBOX-3		Z02A Ø4X16	4



STEP
05

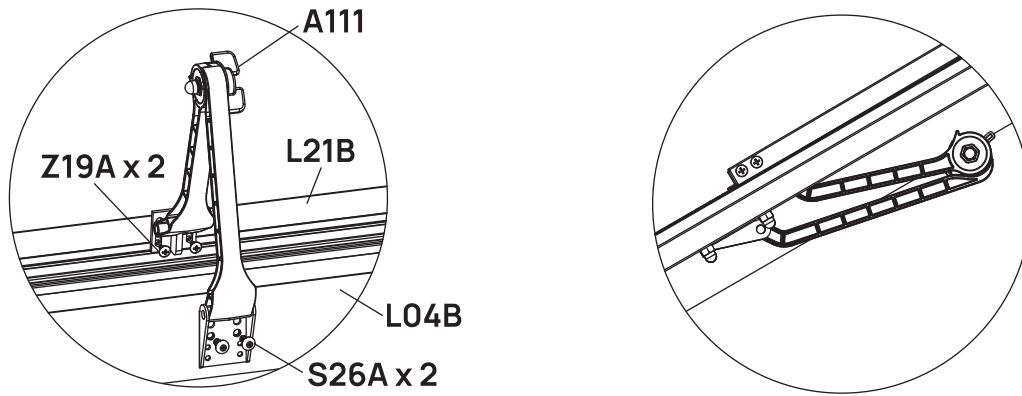
Install the vent openers as shown.

BOX	PART	NO	QTY
ALBOX-3		A111	4
Pre-installed		S26A M5X12	4
ALBOX-3		M24 M6	4
ALBOX-3		Z19A M4.2X10	8

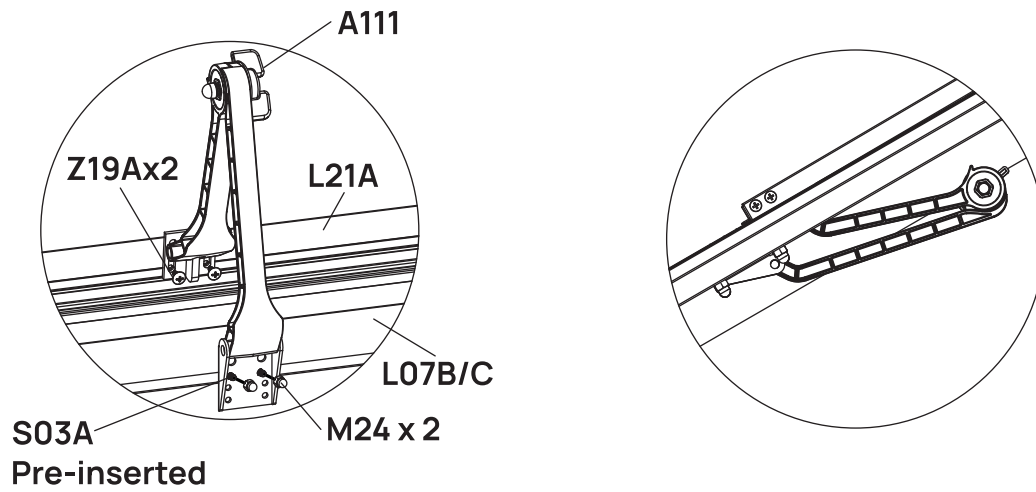


We recommend using an electric screwdriver to install the Z19A screws.

1

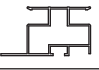





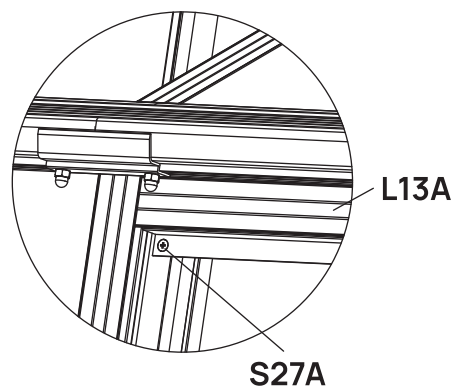
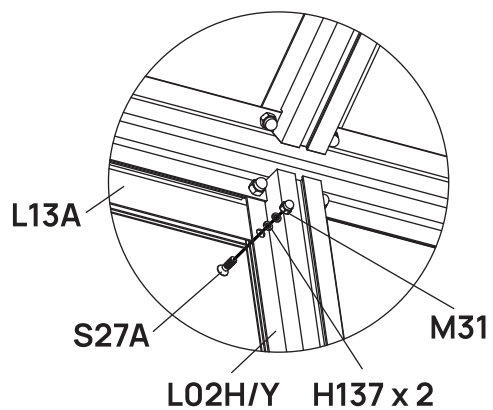
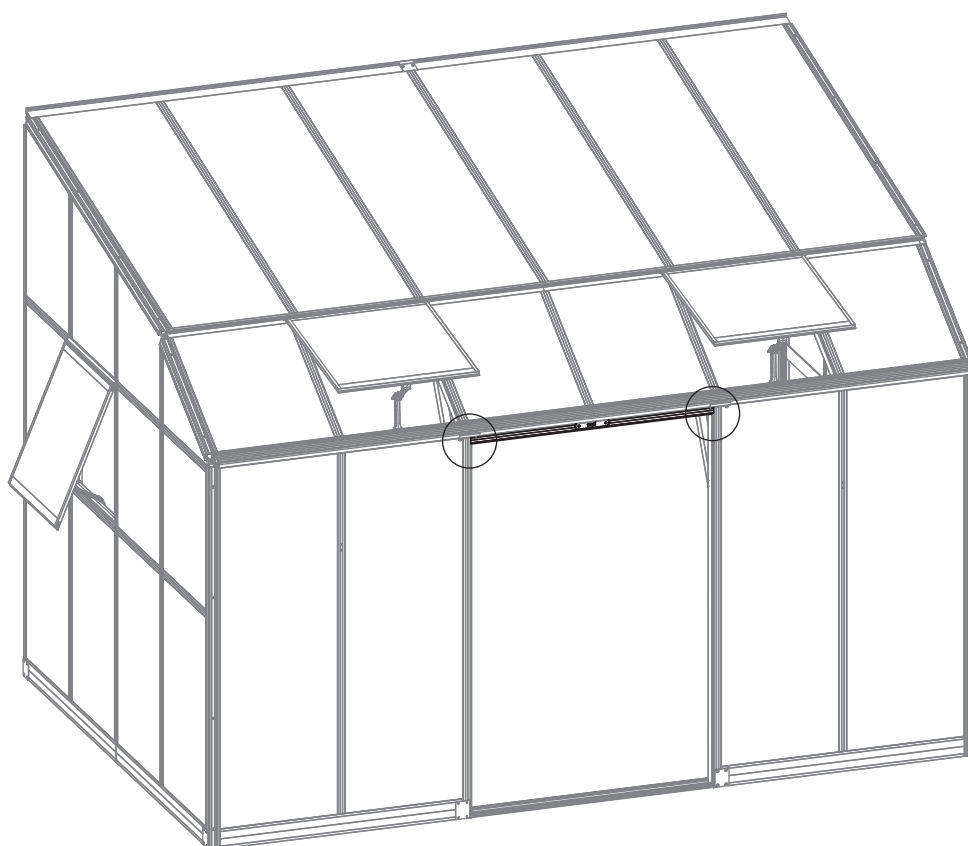
2



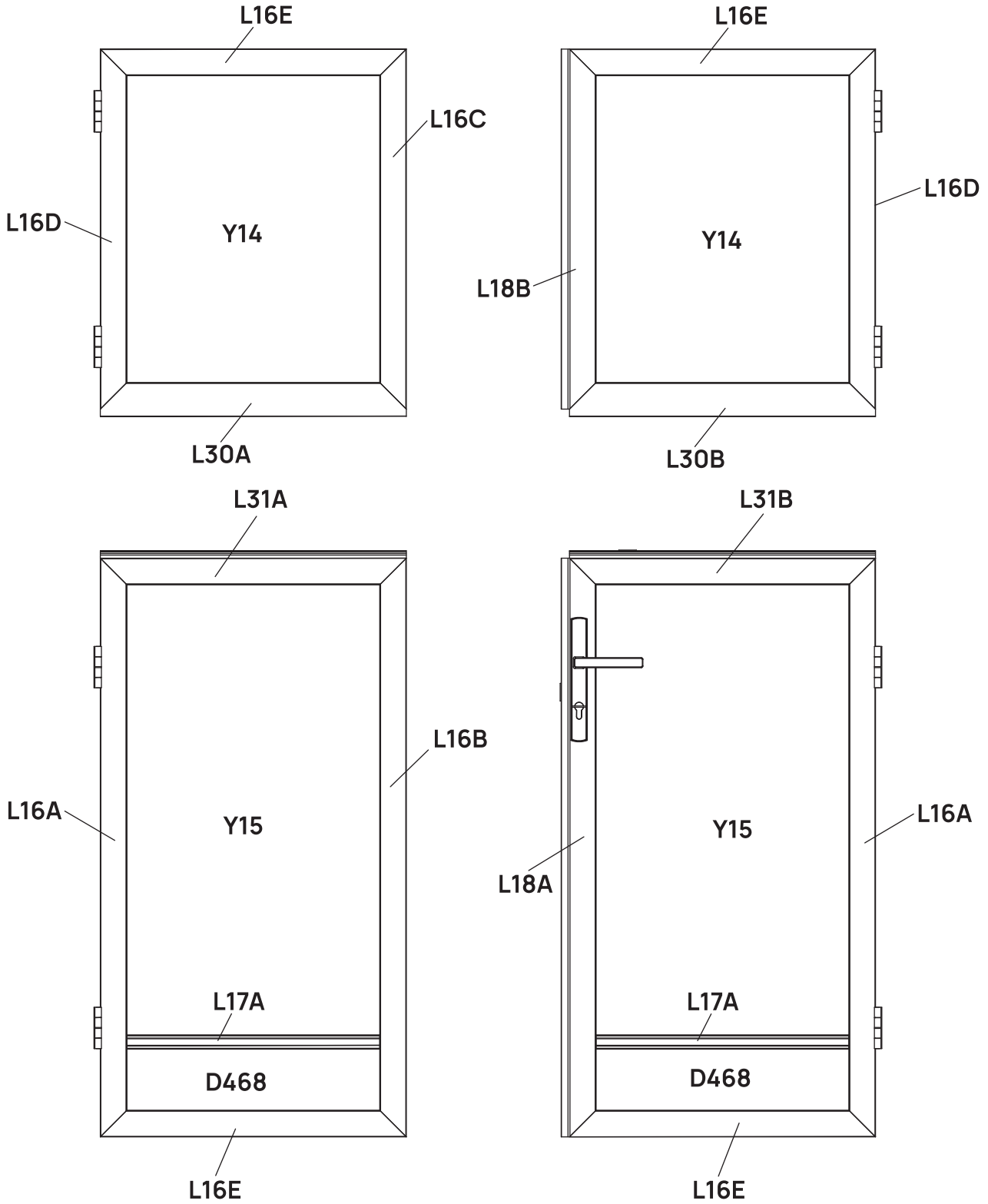
STEP
06

Assemble L13A door header as shown.

BOX	PART	NO	QTY
ALBOX-2		L13A	1
ALBOX-3		S27A M5X12	2
ALBOX-3		M31 M5	2
ALBOX-3		H137	4






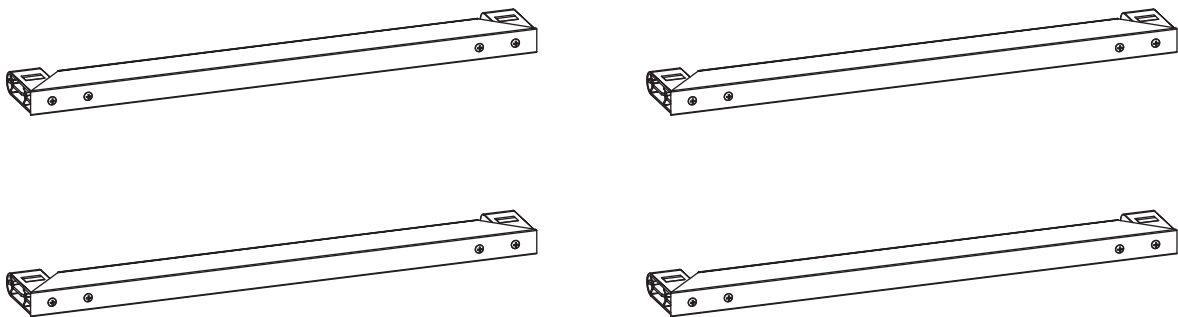
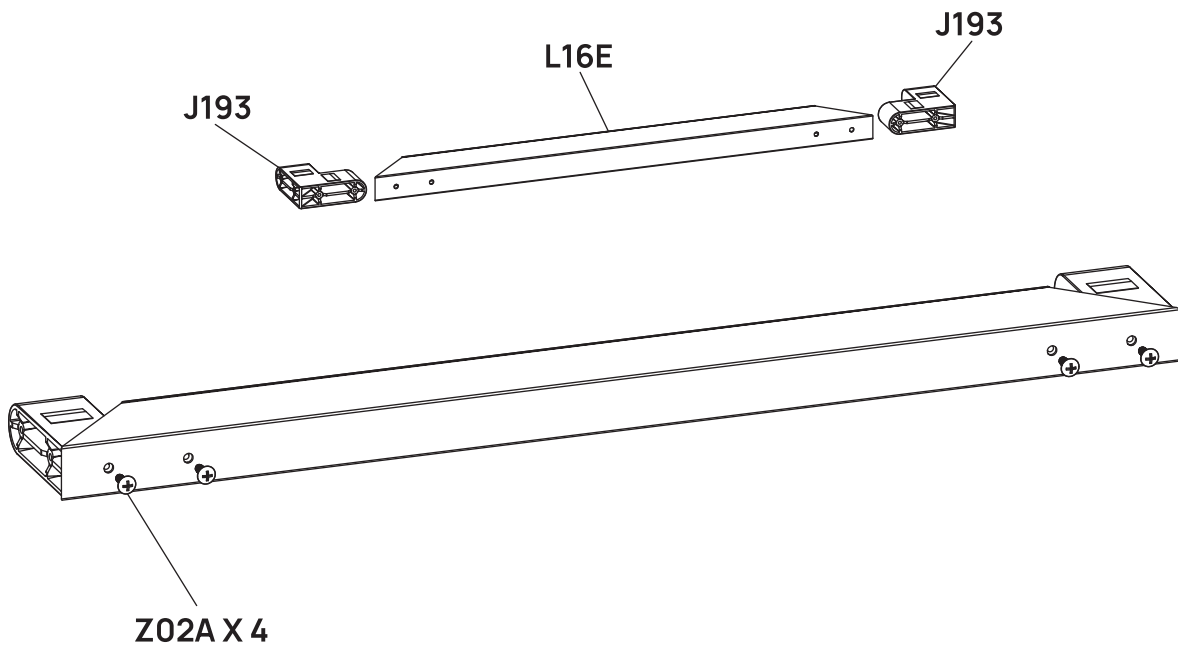
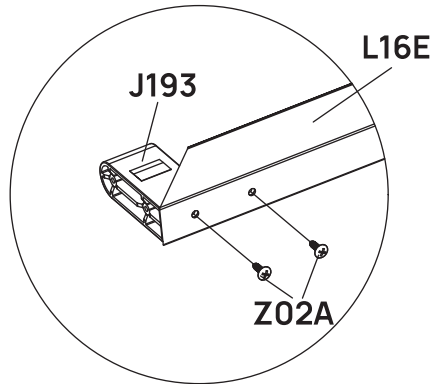
Dutch Door Diagram



STEP
01

Assemble 4 sets of L16E pieces as shown, attach J193 pieces to each ends and secure with Z02A screws.



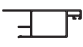
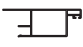


BOX	PART	NO	QTY
ALBOX-3		L16E	4
ALBOX-3		J193	8
ALBOX-3		Z02A Ø4X16D	16

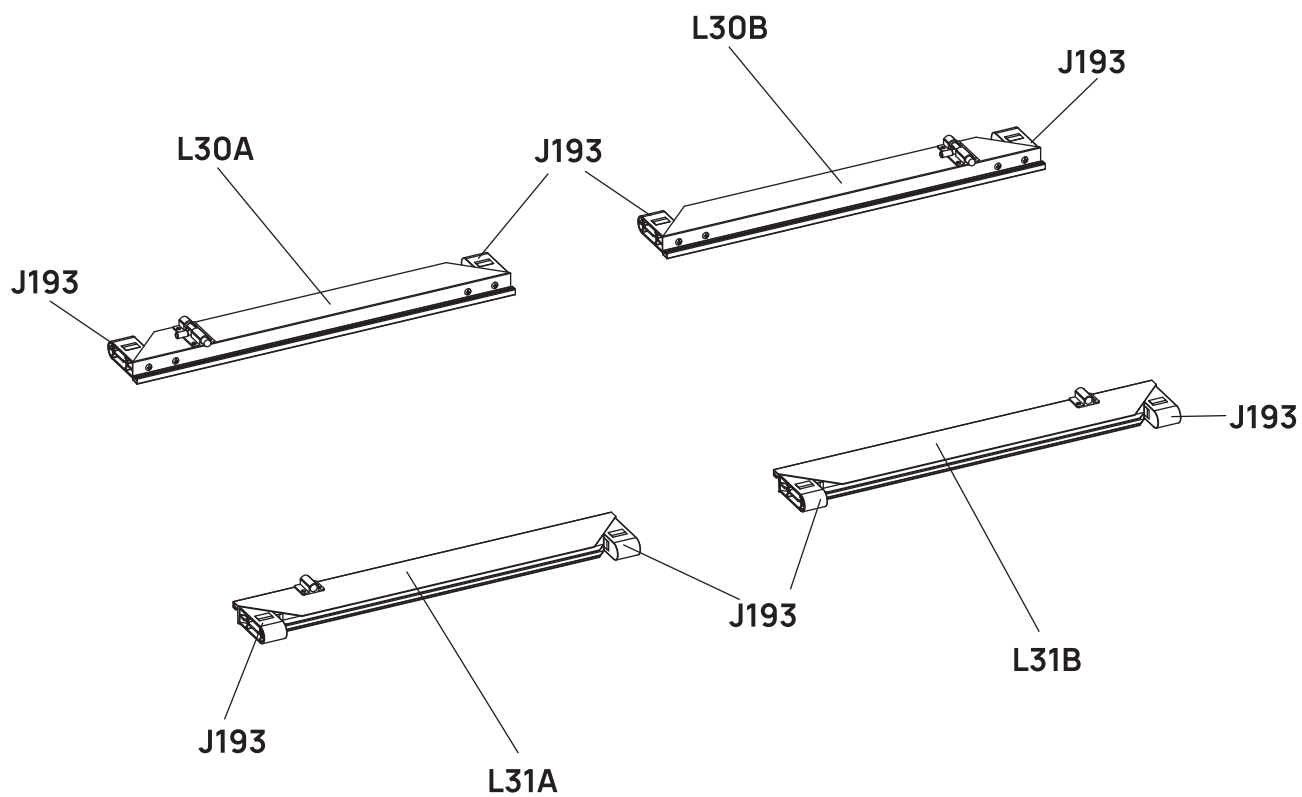
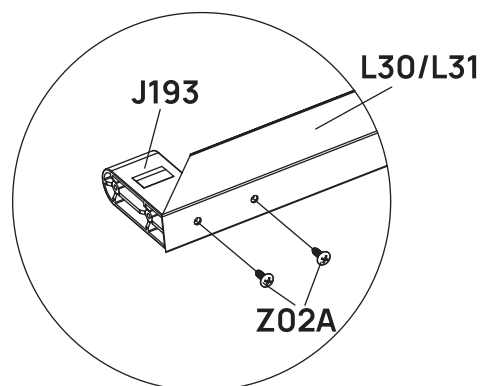


X4

STEP
02

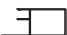
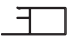












Assemble L30A, L30B, L31A and L31B in the same way as shown.

BOX	PART	NO	QTY
ALBOX-3		L30A	1
ALBOX-3		L30B	1
ALBOX-3		L31A	1
ALBOX-3		L31B	1
ALBOX-3		J193	8
ALBOX-3		Z02A Ø4X16D	16

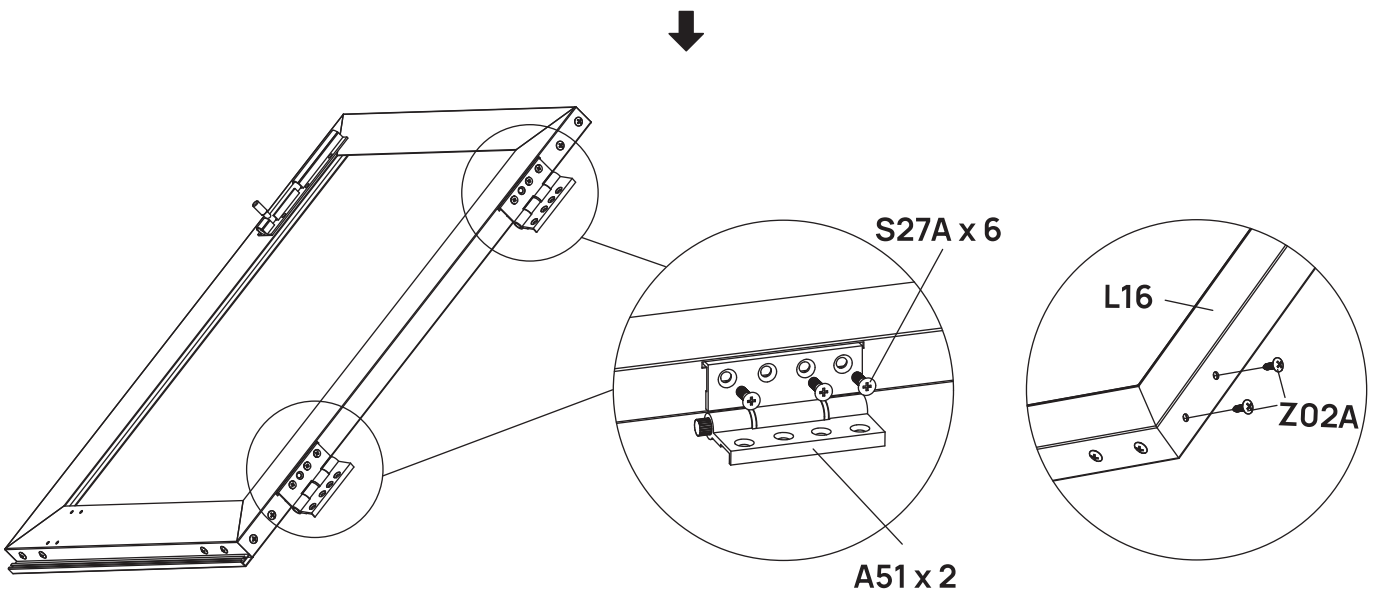
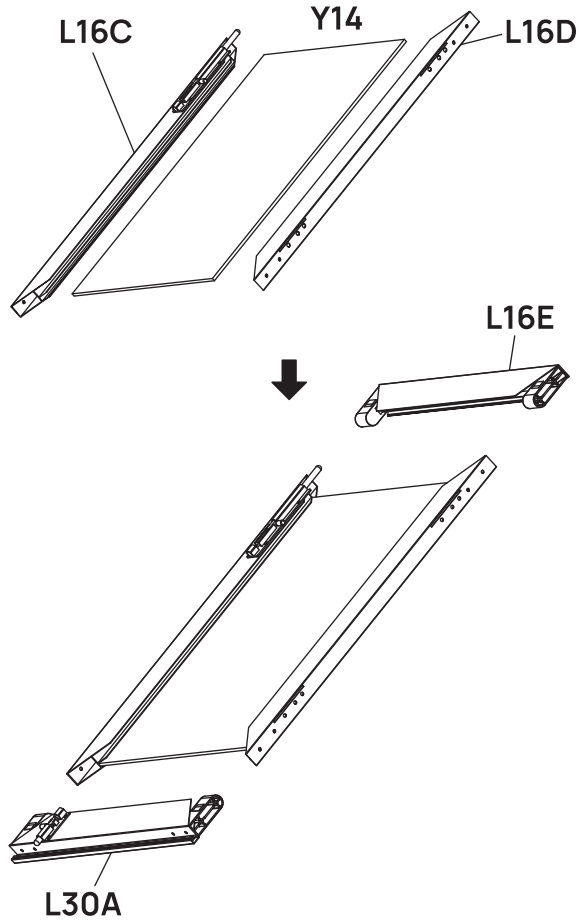


STEP
03

Assemble the upper-left door using Z02A screws, then attach the hinges as shown.

BOX	PART	NO	QTY
ALBOX-2		L16A	1
ALBOX-2		L16B	1
ALBOX-3		L16C	1
ALBOX-3		L16D	1
ALBOX-3		L17A	1
ALBOX-3		Z02A Ø4X16D	16
ALBOX-3		S03A M6X10	2
ALBOX-3		M24 M6	2
PCBOX-1		Y14	1
PCBOX-1		Y15	1
PCBOX-1		H158 H159	1
ALBOX-3		A51	4
Pre-installed		S27A M4.8X16	12
ALBOX-3		D468	1

Upper-left door

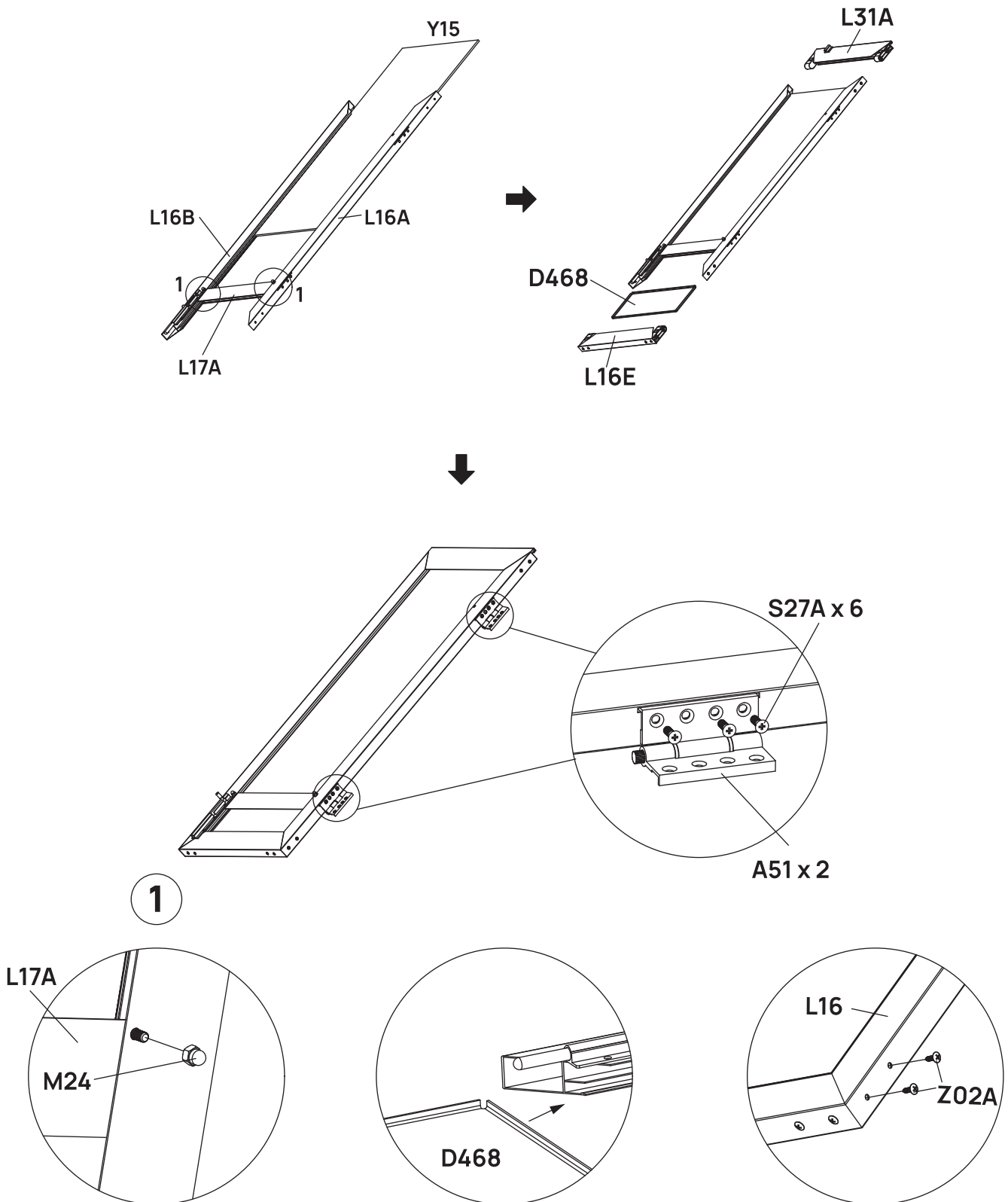


STEP
04

Assemble the lower-left door as shown, secure the L17A frame and D468 aluminum plate at the bottom.

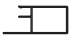


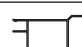





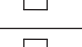




Finally attach the hinges as shown.

Lower-left door

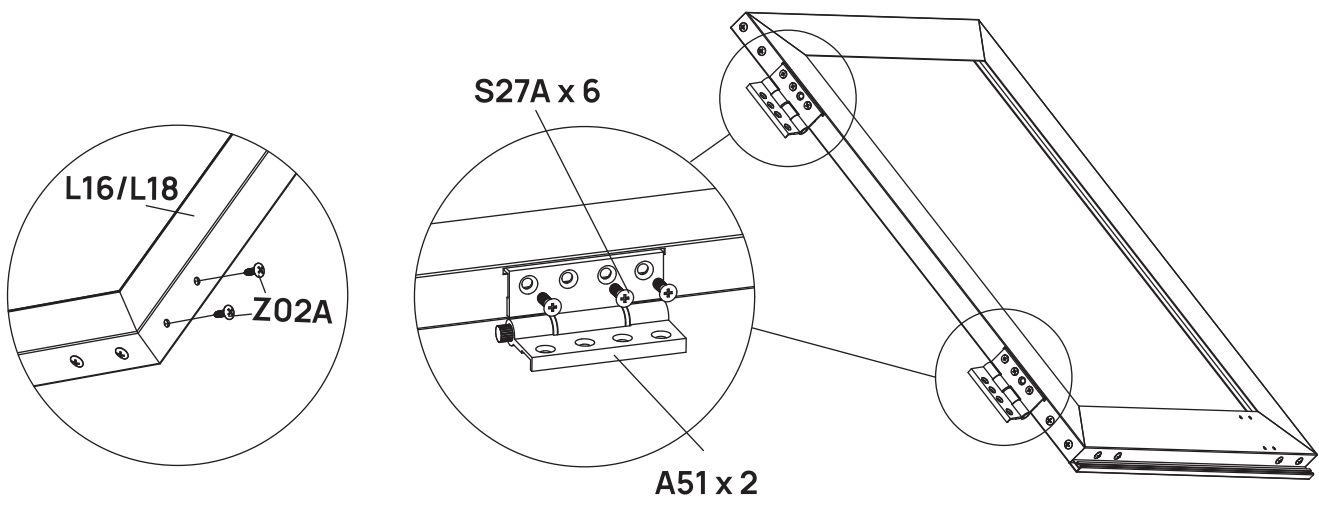
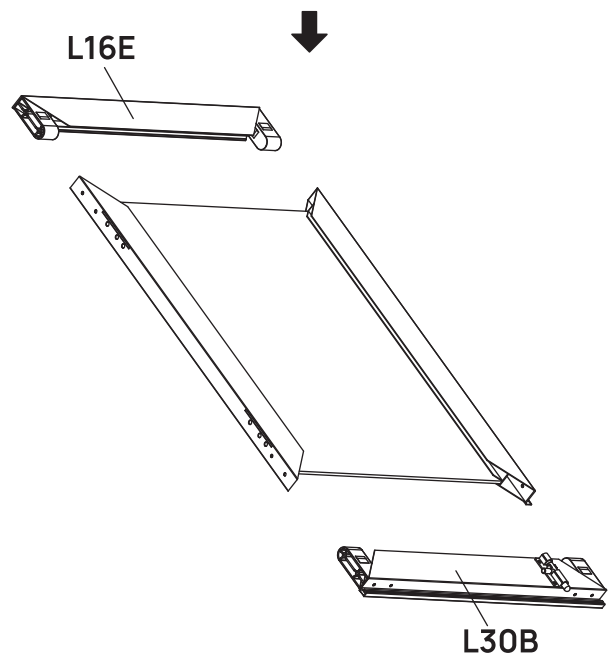
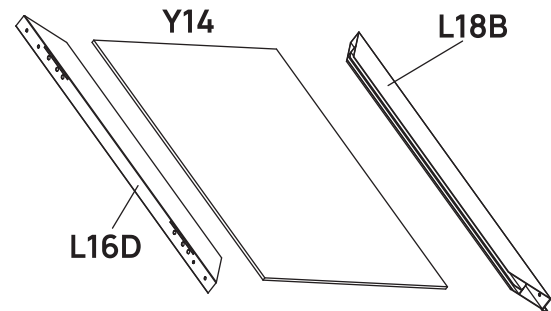


STEP
05

Assemble the upper-right door using Z02A screws, then attach hinges as shown.

BOX	PART	NO	QTY
ALBOX-2		L16A	1
ALBOX-3		L16D	1
ALBOX-2		L18A	1
ALBOX-3		L18B	1
ALBOX-3		L17A	1
ALBOX-3		Z02A Ø4X16D	16
ALBOX-3		S03A M6X10	2
ALBOX-3		M24 M6	2
PCBOX-1		Y14	1
PCBOX-1		Y15	1
PCBOX-1		H158 H159	1
ALBOX-3		A51	4
Pre-installed		S27A M4.8X16	12
ALBOX-3		D468	1

Upper-right door

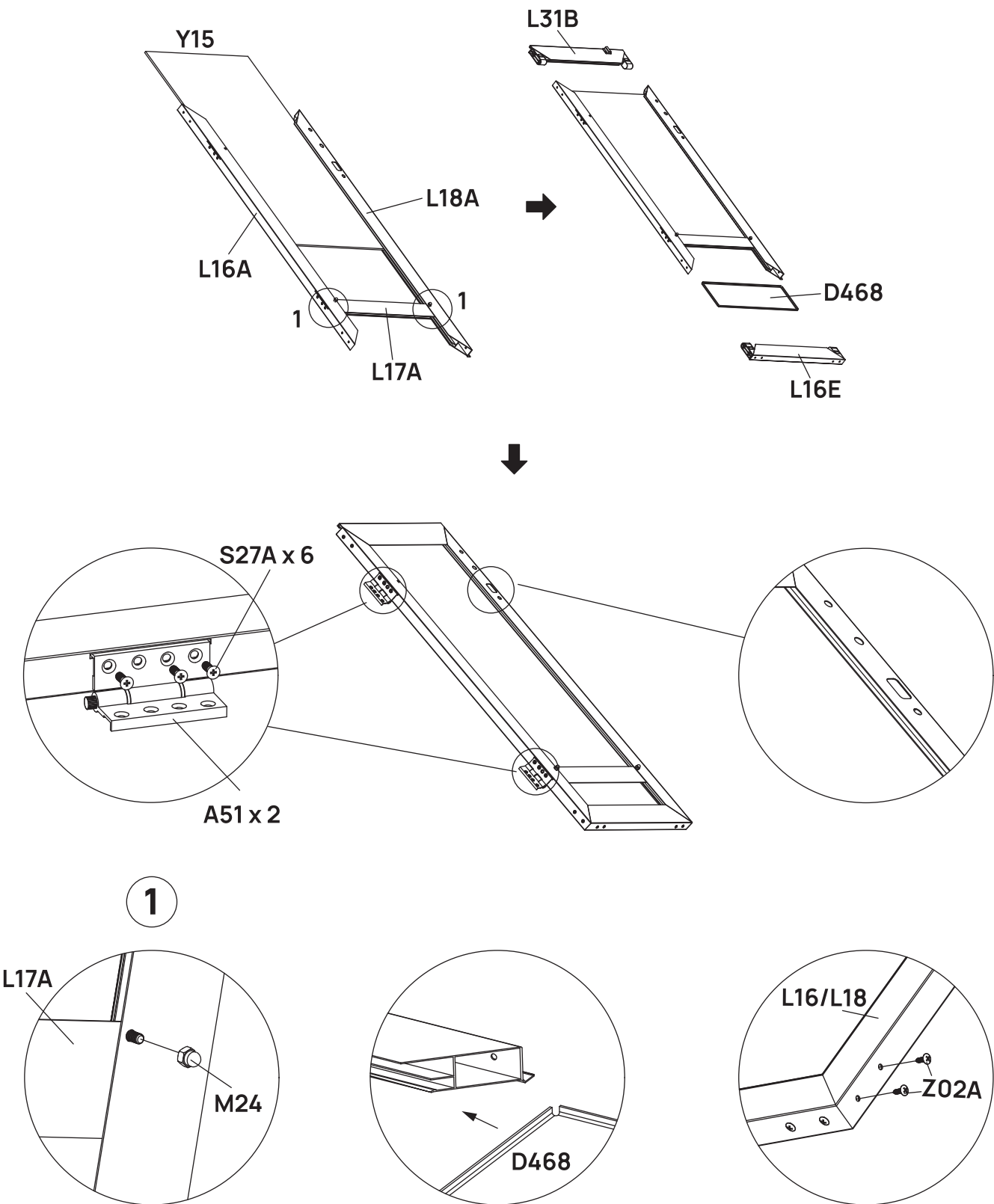


STEP
06

Assemble the lower-right door as shown, secure the L17A frame and D468 aluminum plate at the bottom.




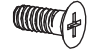
Finally attach the hinges as shown.

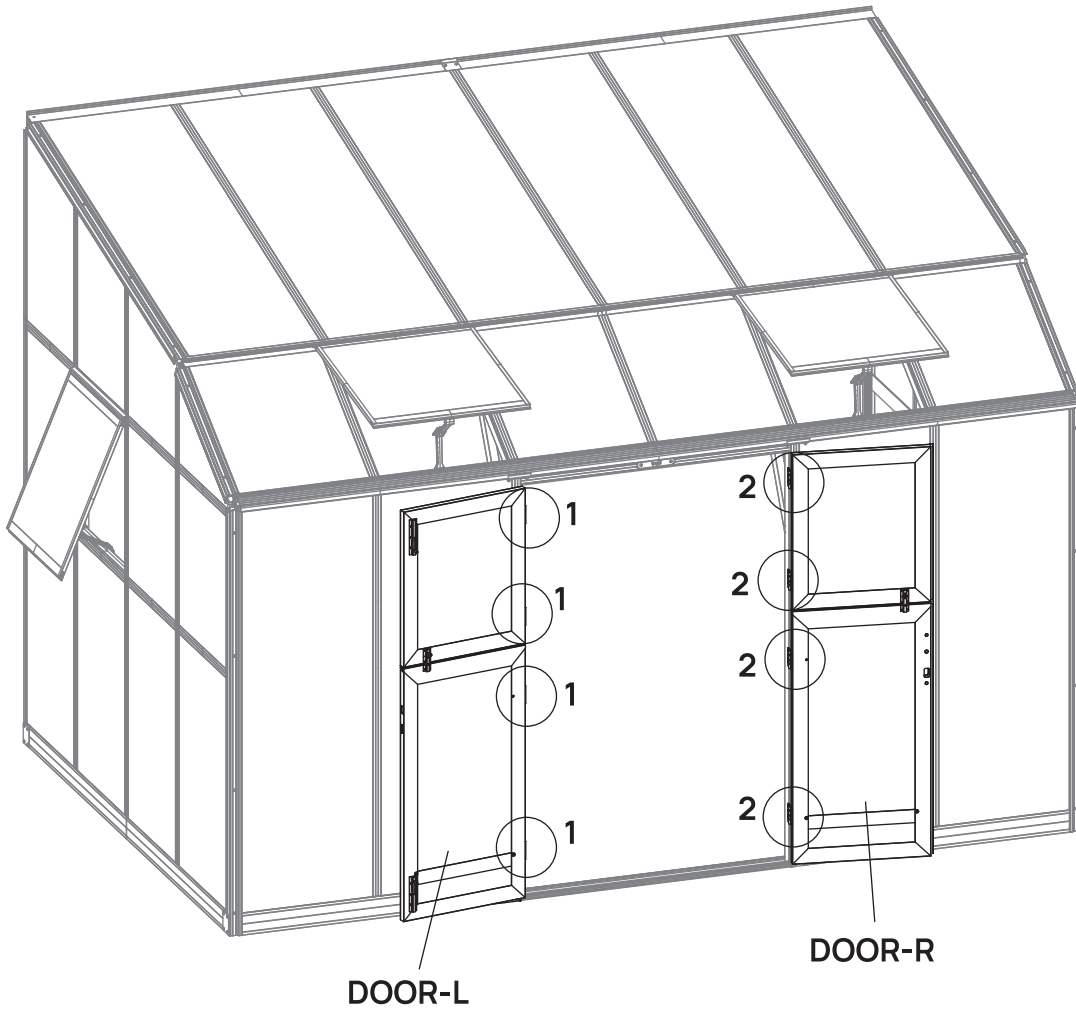
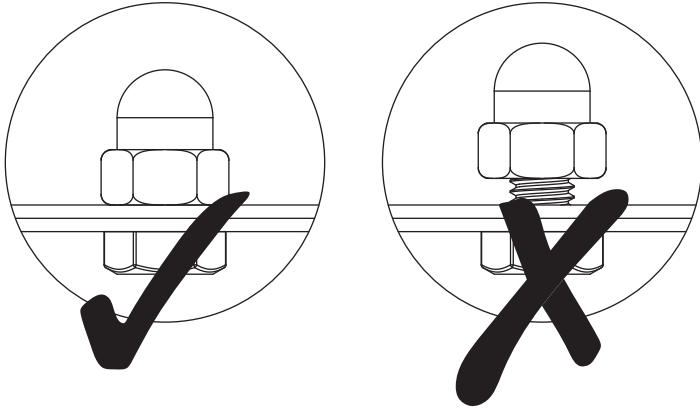
Lower-right door (with lock holes)



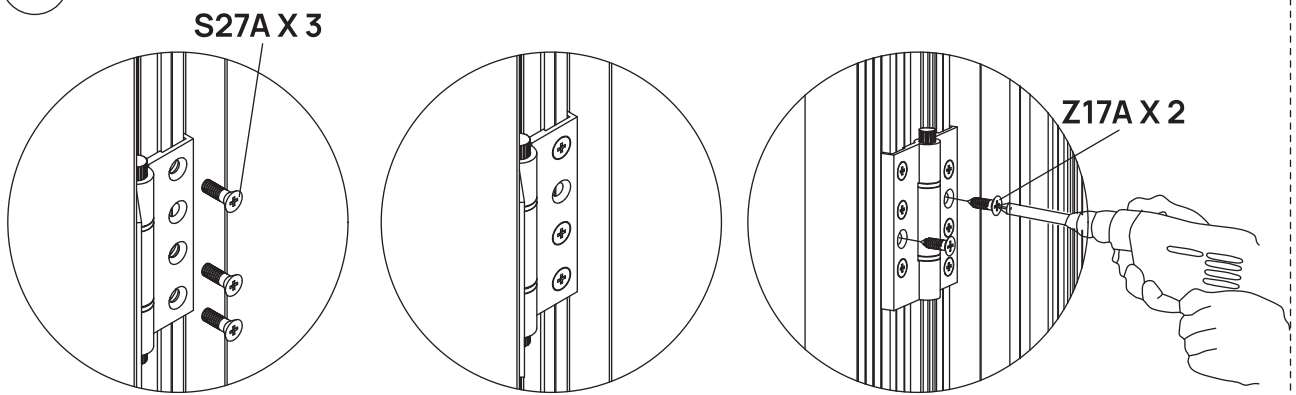
STEP
07

Remove S27A bolts from the L02 door frames. Hold the door in place, affix the hinges to the door frames, and secure them with S27A bolts. Finally, reinforce the structure with Z17A screws.

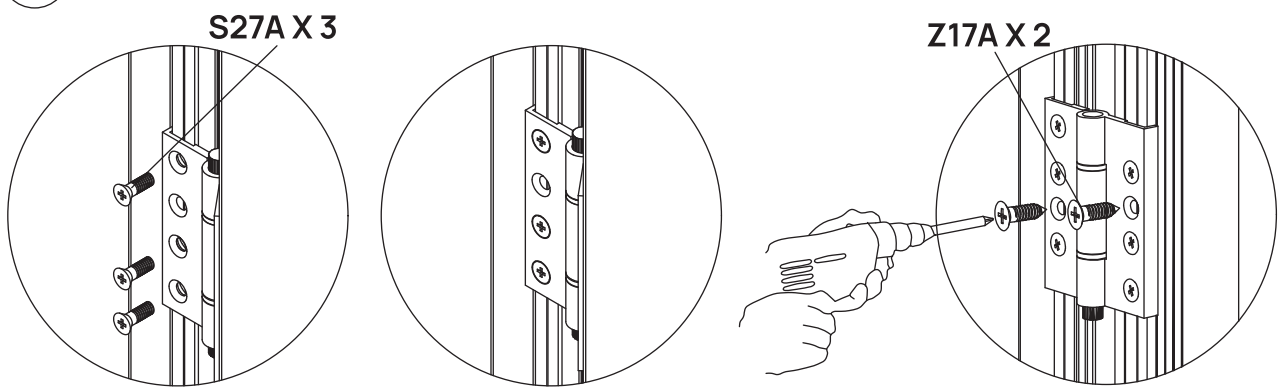
BOX	PART	NO	QTY
		DOOR-L	1
		DOOR-R	1
ALBOX-3		Z17A M4.8X16	16
Pre-installed		S27A M4.8X16	24



1




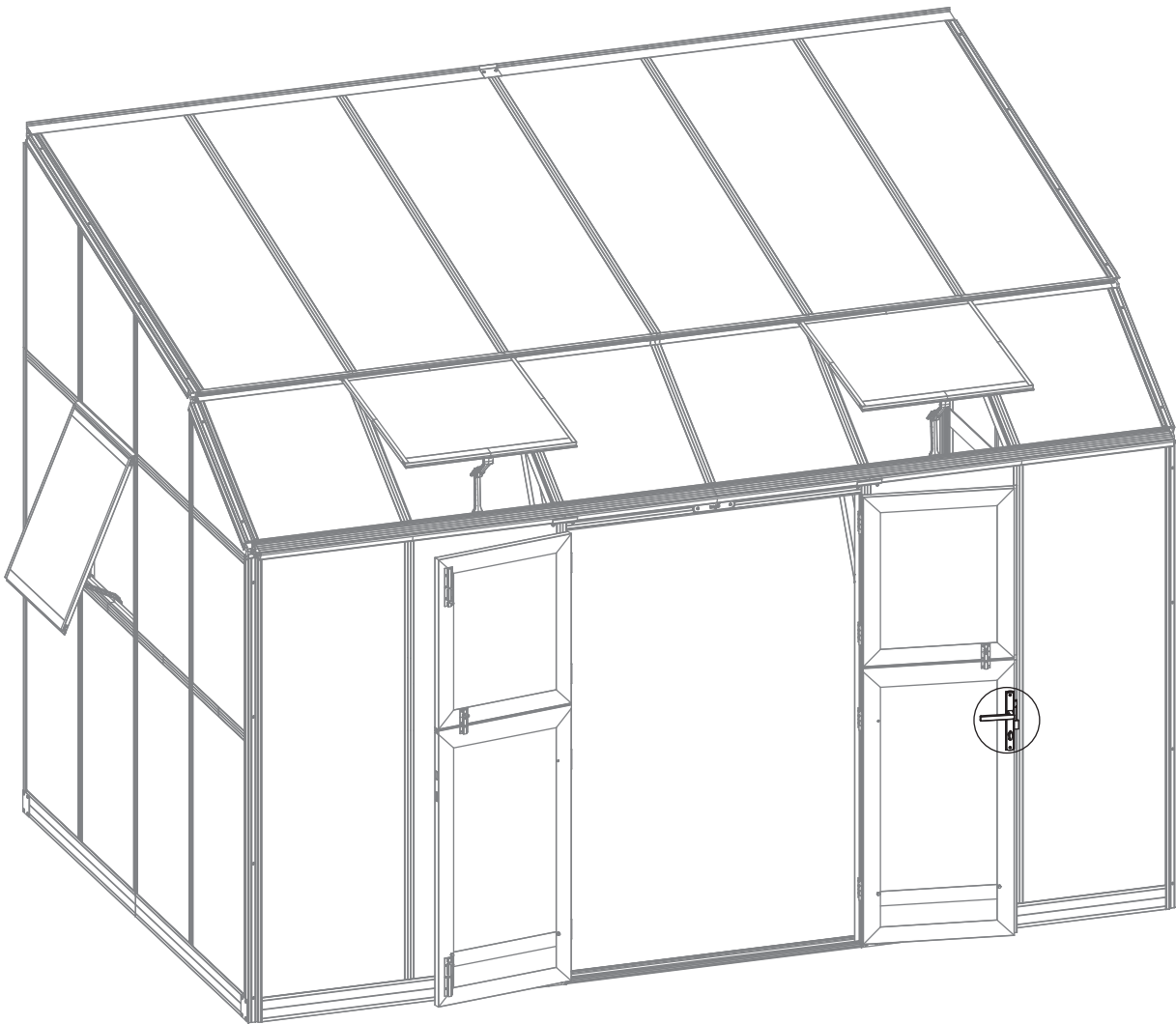
2



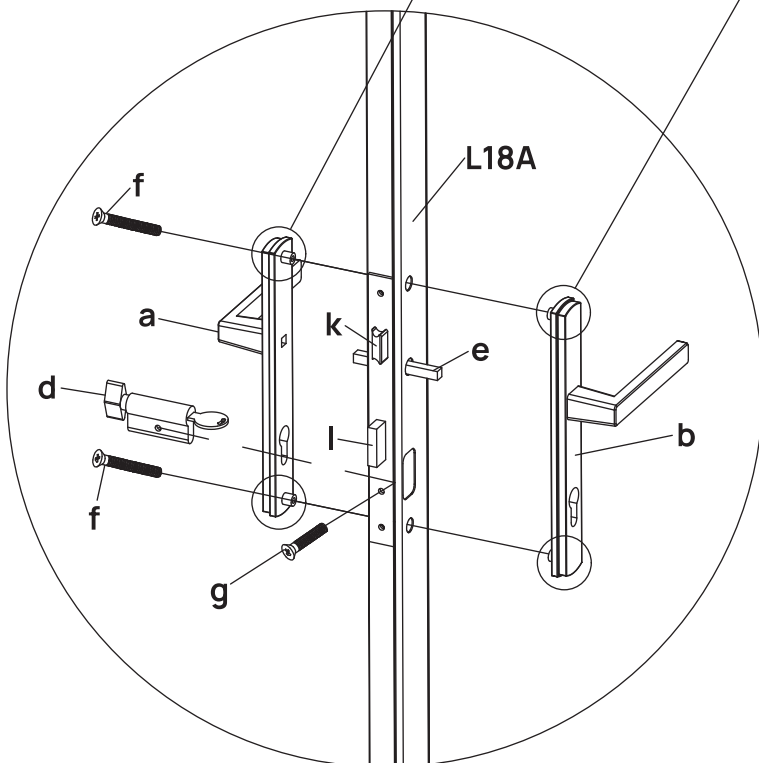
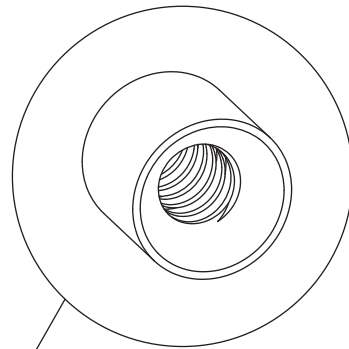
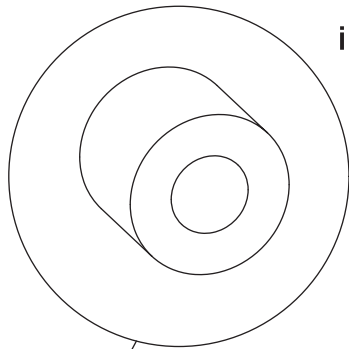
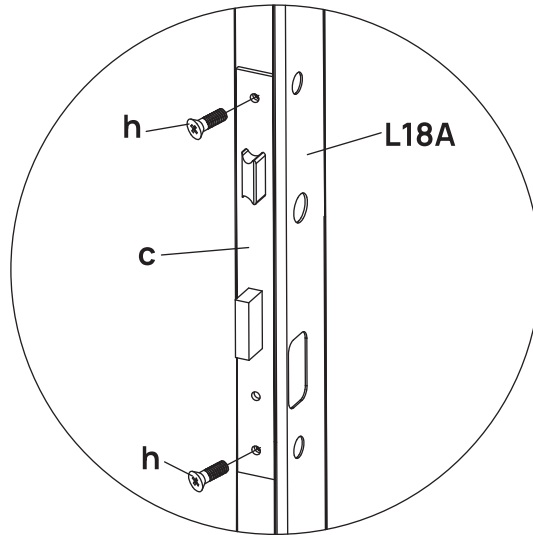
STEP
08

Lock installation.

BOX	PART	NO	QTY
ALBOX-3		H199	1




Disassemble the door lock and install it onto the right door. Make sure the keyhole faces outward and the handle rests horizontally as shown.

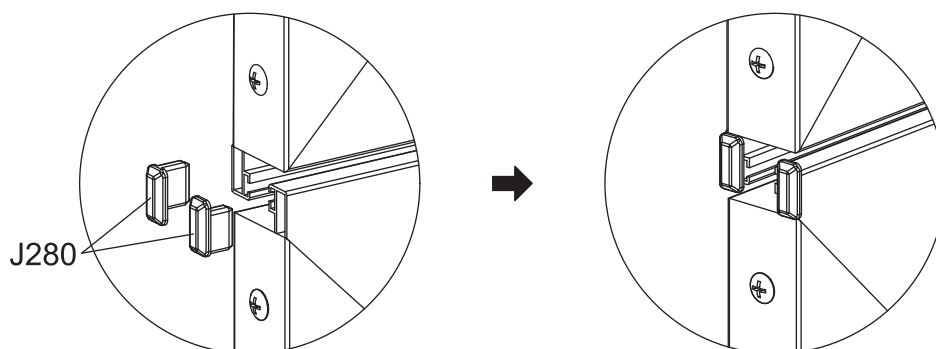
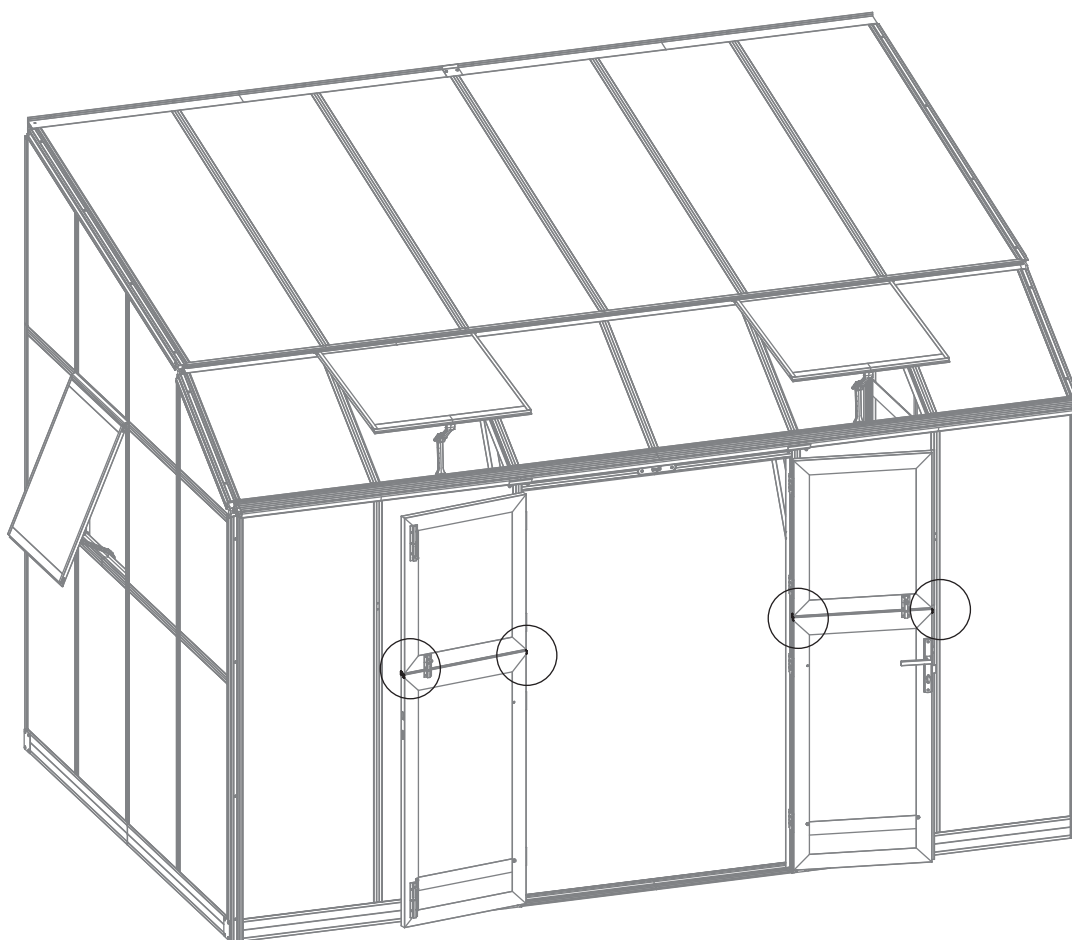


- a:** Interior Backplate with handle
- b:** Active Exterior Backplate with handle
- c:** Latch Plate
- d:** Lock Cylinder
- e:** Knob Spindle
- f:** Blackplate Bolt
- g:** Lock Cylinder Bolt
- h:** Latch Plate Bolt
- i:** Interior Backplate Nut
- j:** Exterior Backplate Nut with thread
- k:** Latch bolt
- l:** Deadbolt

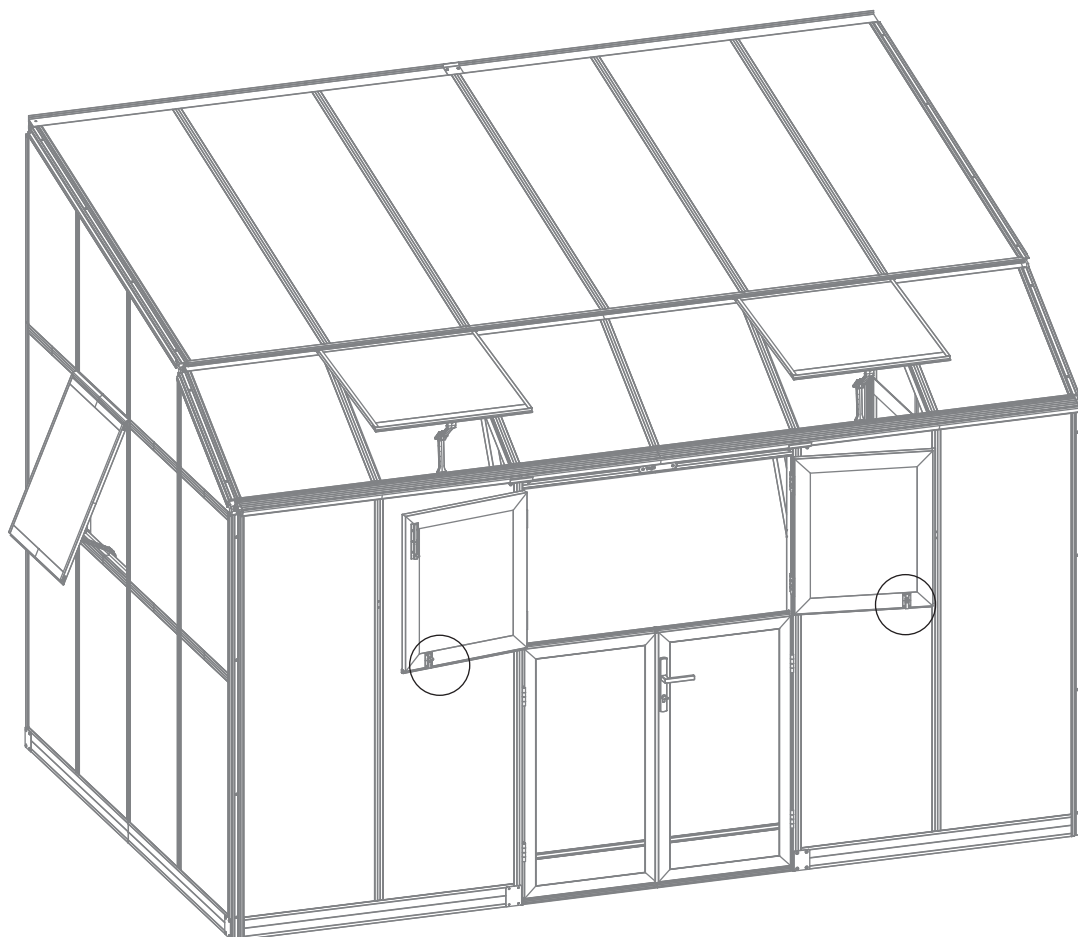
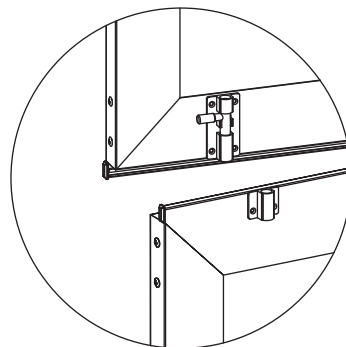
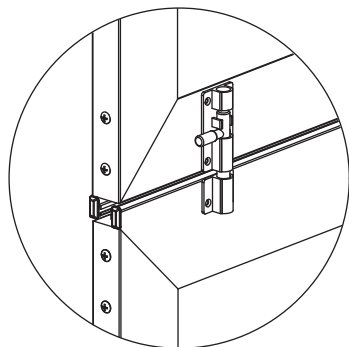
STEP
09

Insert J280 caps to both ends of the door frames as shown.

BOX	PART	NO	QTY
ALBOX-3		J280	8










The upper doors can be opened separately by unlocking the barrel bolt latches.

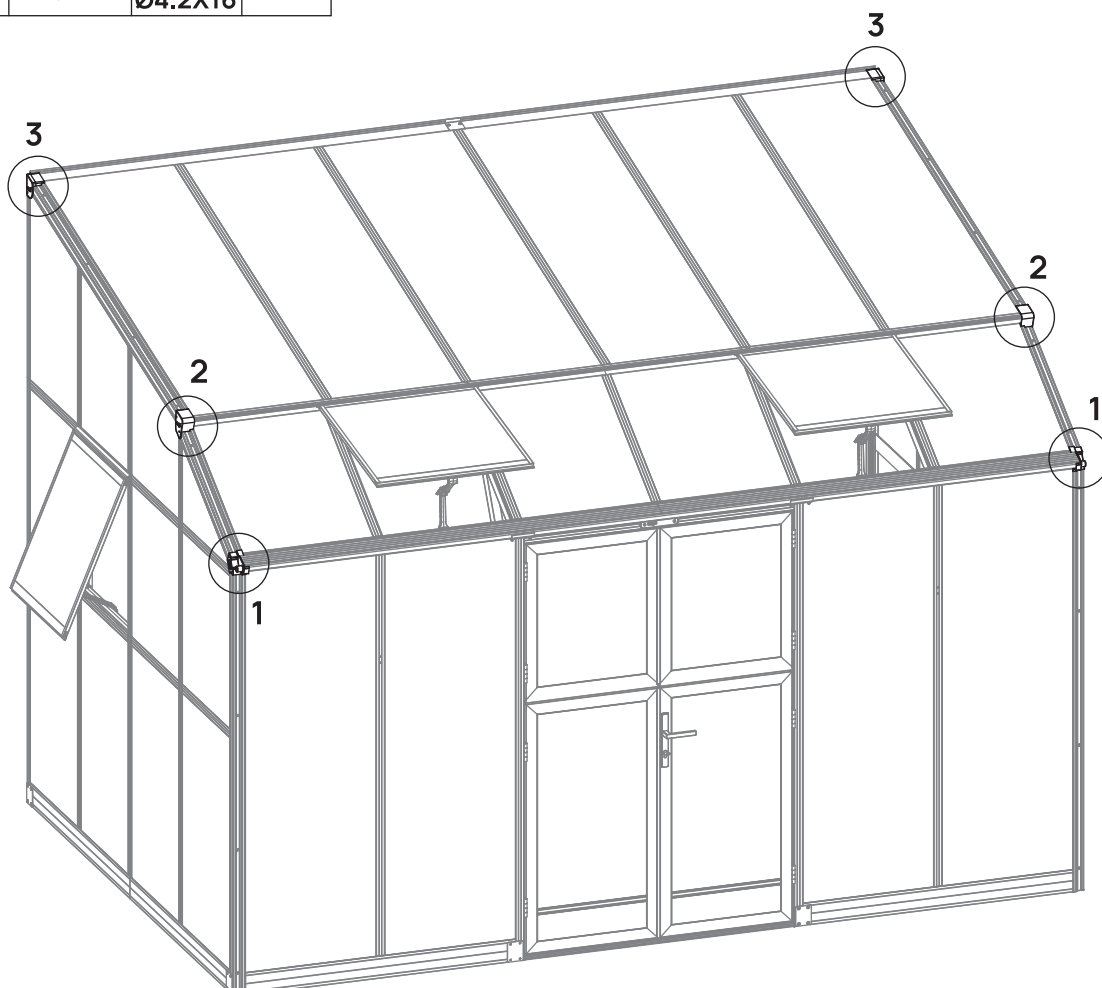


Final Assembly

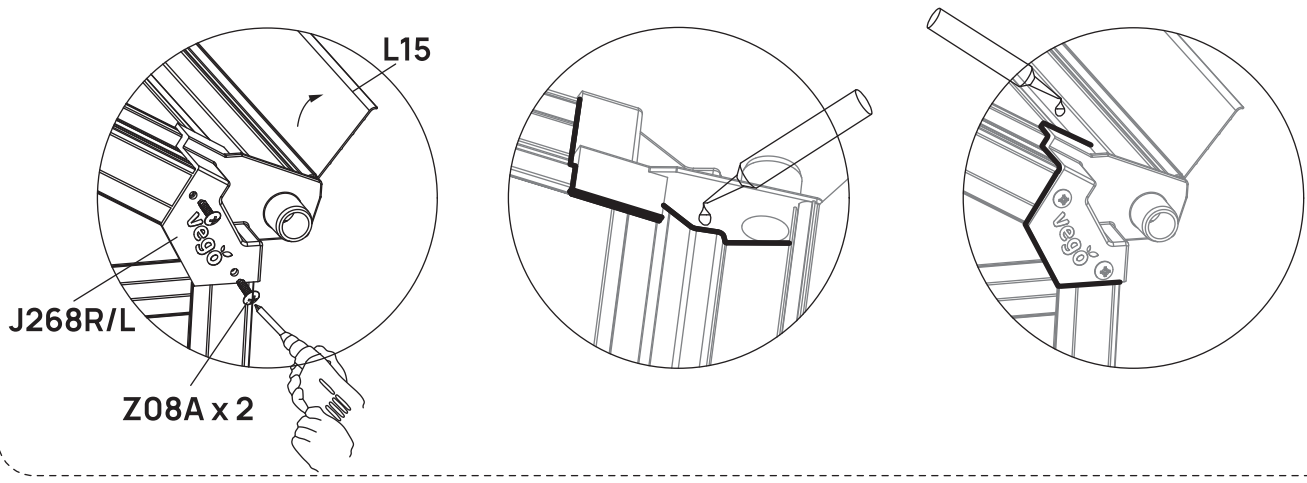
STEP 01

Attach end caps as shown, then apply silicone caulk (not provided) between the gaps of plastic caps and frames to ensure a watertight seal.

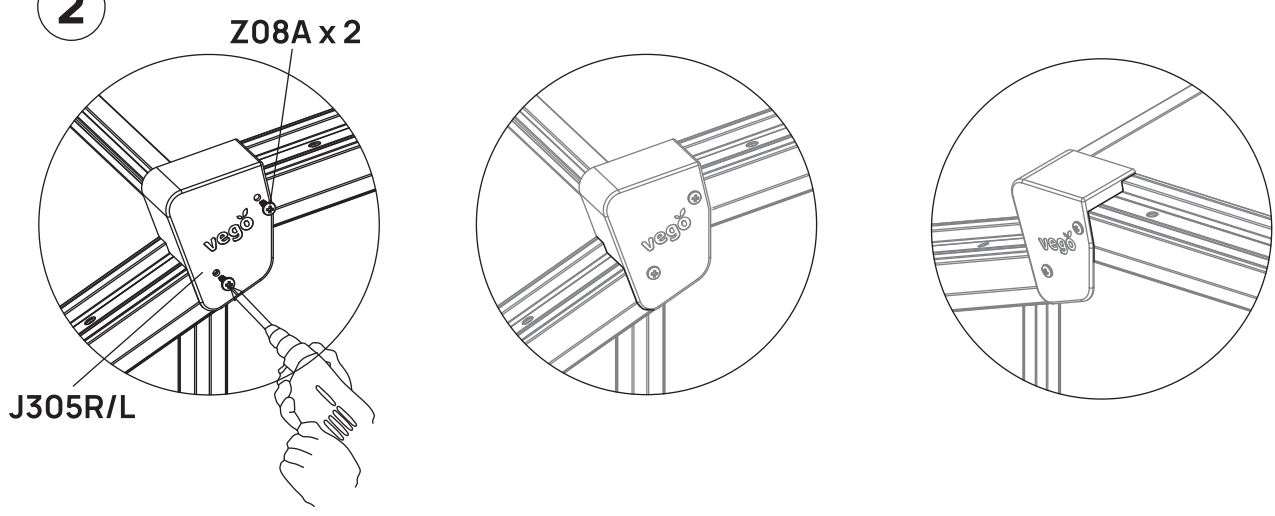
BOX	PART	NO	QTY
ALBOX-3		J305R	1
ALBOX-3		J305L	1
ALBOX-3		J268L	1
ALBOX-3		J268R	1
ALBOX-3		J304L	1
ALBOX-3		J304R	1
ALBOX-3		Z08A Ø4.2X16	12



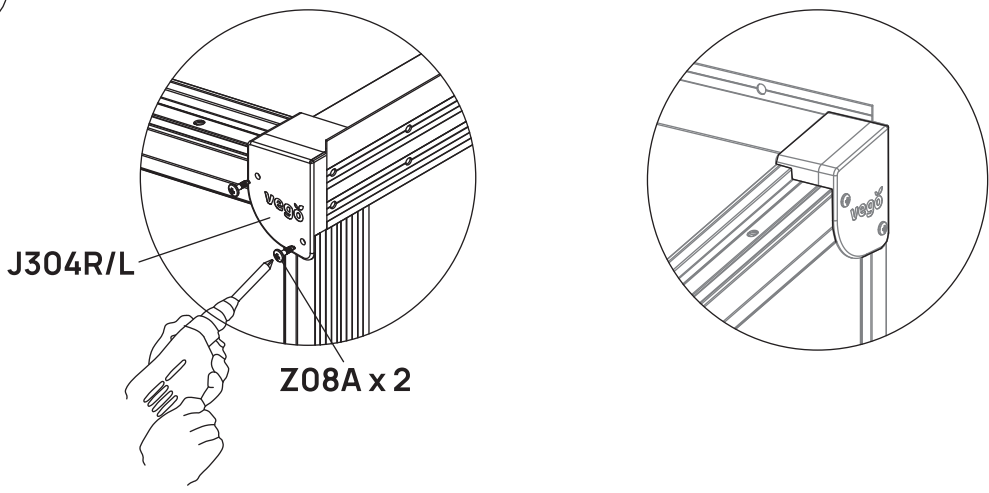
1 Keep the gutter cover open while assembling the end cap to avoid trapping the cover inside the end cap.



2











3

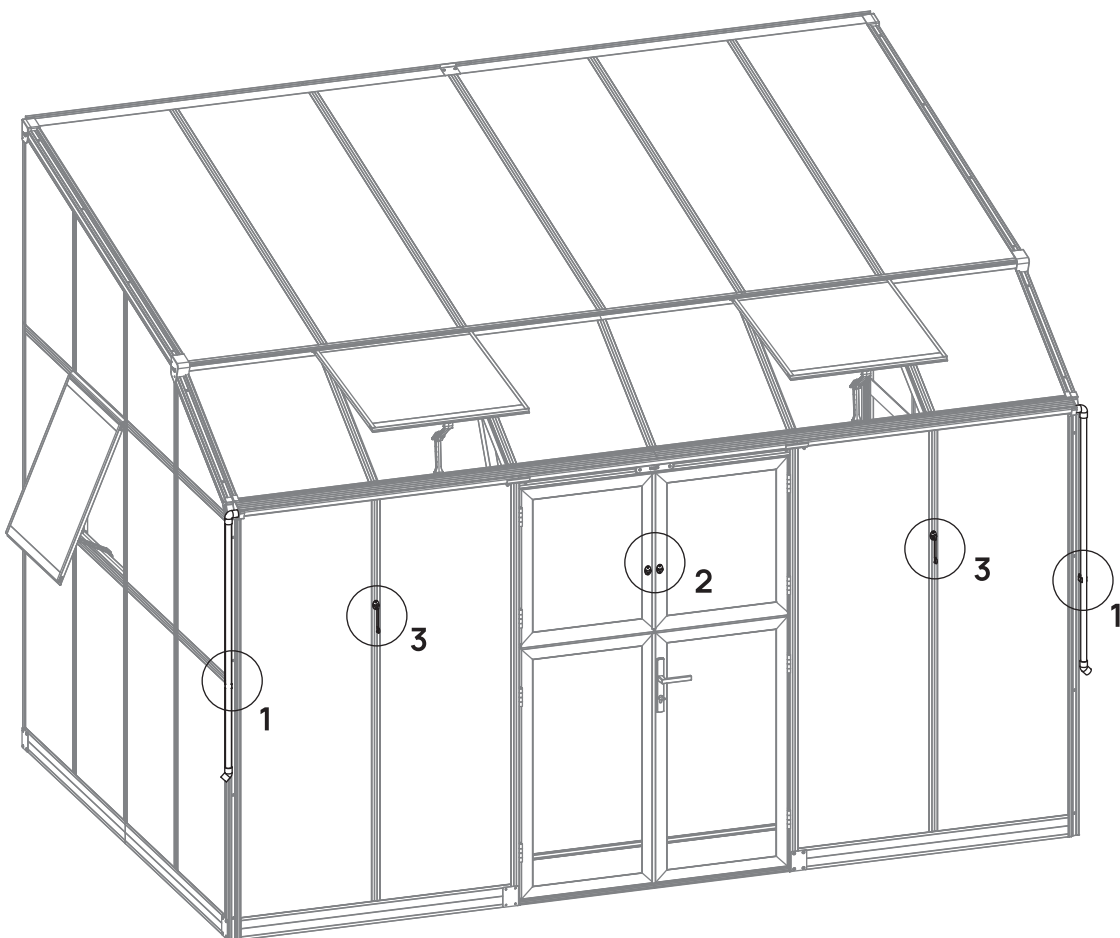
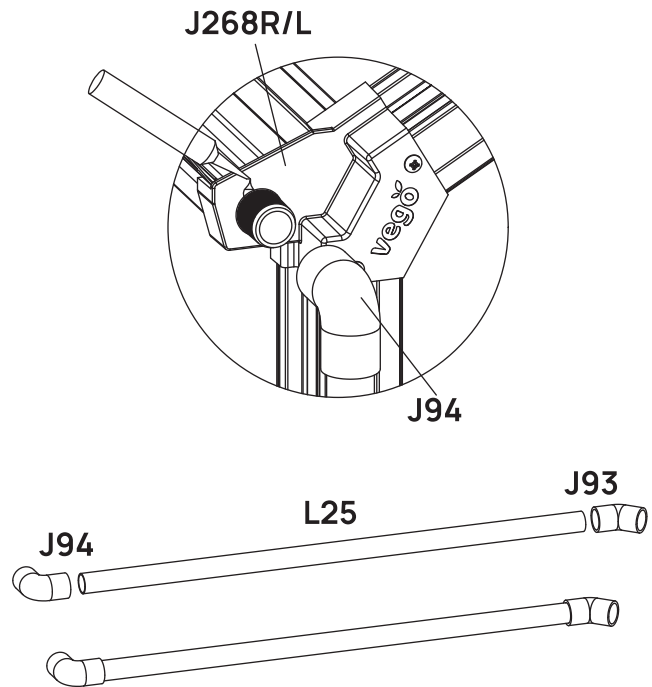


STEP
02

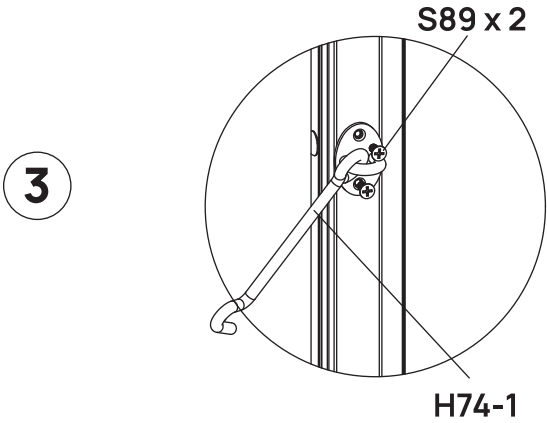
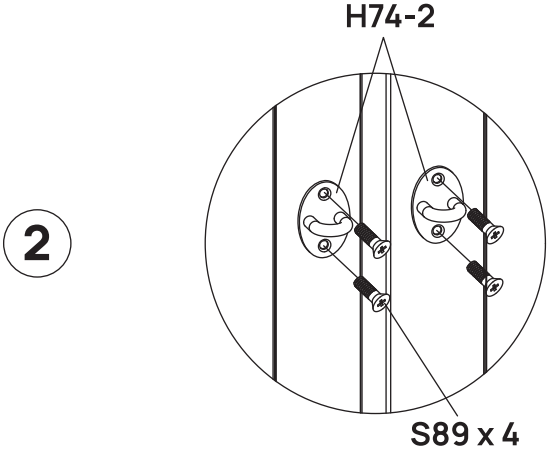
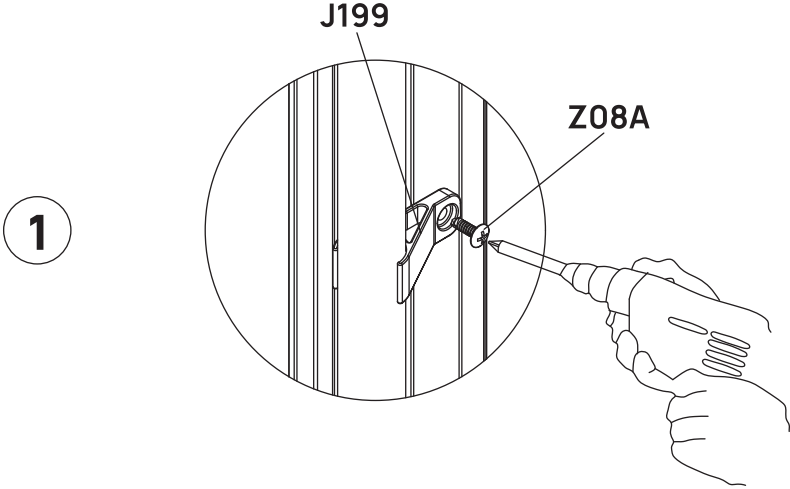
Assemble the drainage pipe components as shown in diagram, then attach them to the gutter end cap.

Using silicone caulk or waterproof tape to reinforce the connection between gutter end caps and pipe.

BOX	PART	NO	QTY
ALBOX-2		L25	2
ALBOX-3		J93	2
ALBOX-3		J94	2
ALBOX-3		J199	2
ALBOX-3		H74-1	2
ALBOX-3		H74-2	2
ALBOX-3		S89 M3X12	8
ALBOX-3		Z08A Ø4.2X16	2

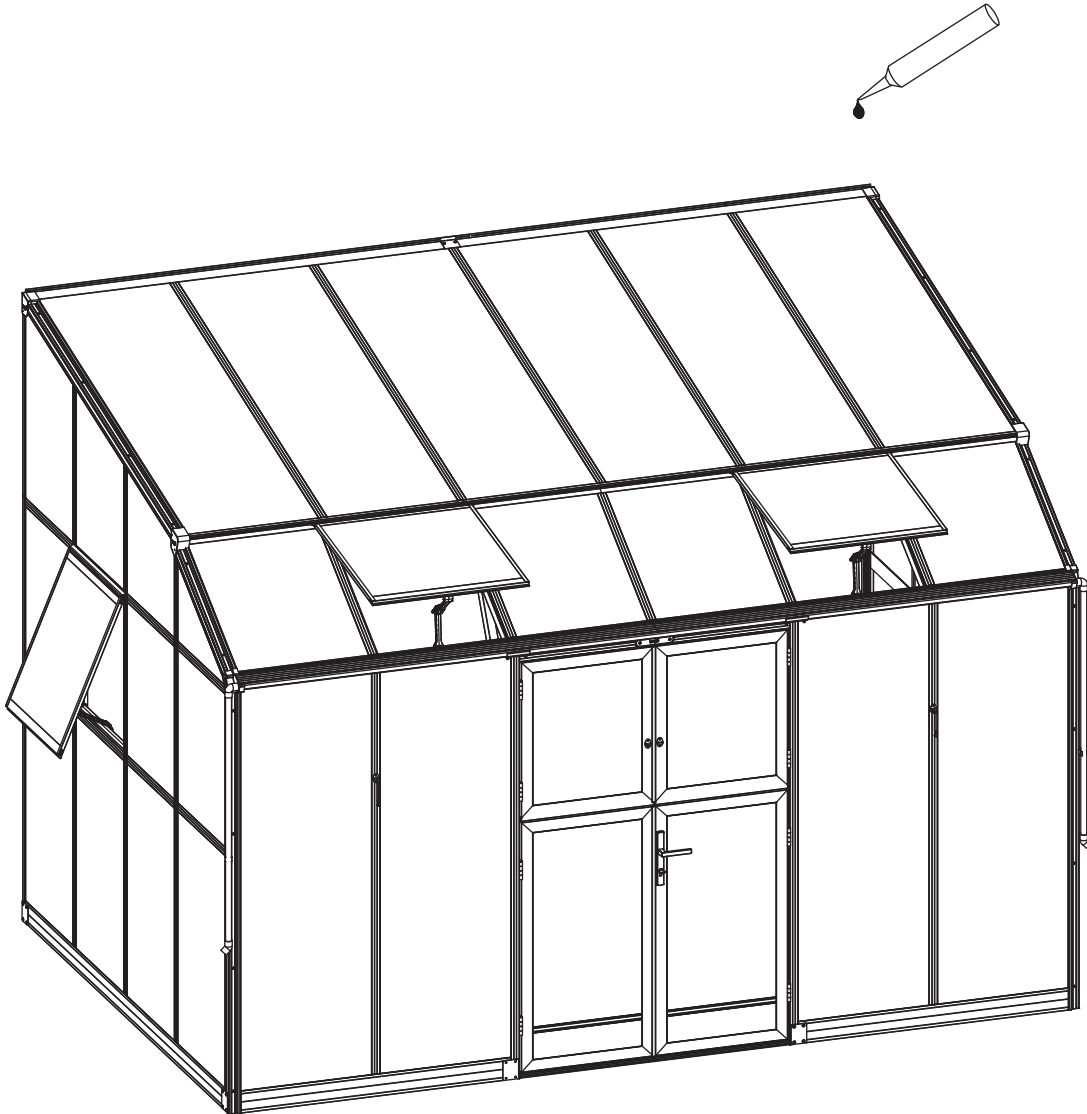


Attach pipe brackets and wind latches as shown in diagram.

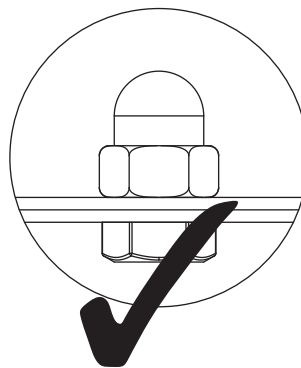
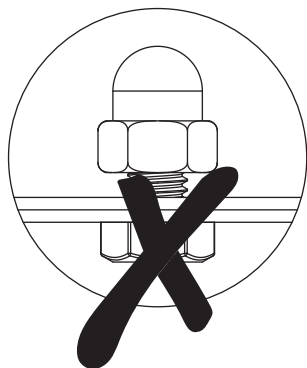


STEP
03

For PC wall panels, apply silicone caulk around all PC panels to ensure watertight sealing.



Perform a final inspection of your greenhouse and ensure that all nuts are securely tightened.



VEGOGARDEN.COM



**Gardening
Made Easier.
Anytime,
Anywhere.**

Contact Us



+1 (866) 597-1888



Vego Garden Academy



hello@vegogarden.com



vegogarden.com



vego_garden



Houston, TX