



4 in 1 Trellis & Cover System Manual For 2ft x 6ft & 2ft x 8ft Elevated Garden Beds

Gardening Made Easier. Anytime, Anywhere.


Copyright © 2025 Vego



**Gardening
Made Easier.
Anytime,
Anywhere.**



Contact Us

 +1 (866) 597-1888

 Vego Garden Academy

 hello@vegogarden.com












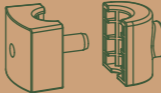
 vegogarden.com

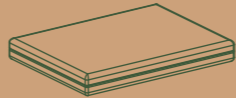


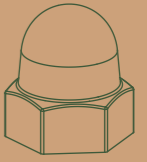


 [vegogarden](https://www.instagram.com/vegogarden)

 Houston, TX



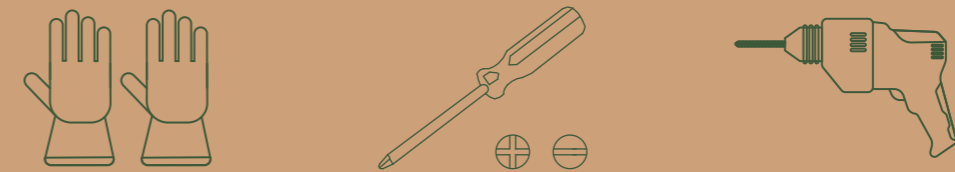
Parts List

 P1 Qty: 1	 P2 Qty: 1	 P3 Qty: 1
 P4 Qty: 1	 P5 Qty: 1	 P6 Qty: 1
 H1 Qty: 2	 H2 Qty: 2	 H3 Qty: 13
 H4 Qty: 4	 H5 Qty: 4	 S1 Qty: 4

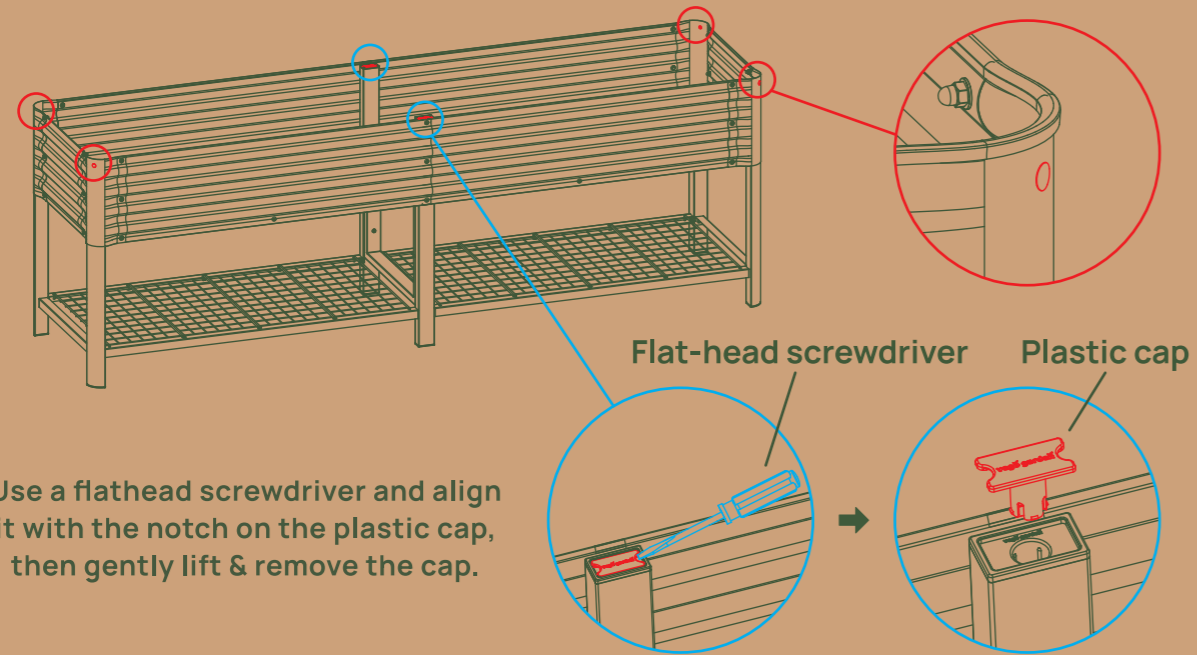
 S2 Qty: 1	 S3 Qty: 6	 F1 M6x48 Qty: 4	 F2 Qty: 4
 F3 M5x25 Qty: 30	 F4 M5x10 Qty: 2		

Assembly Tips

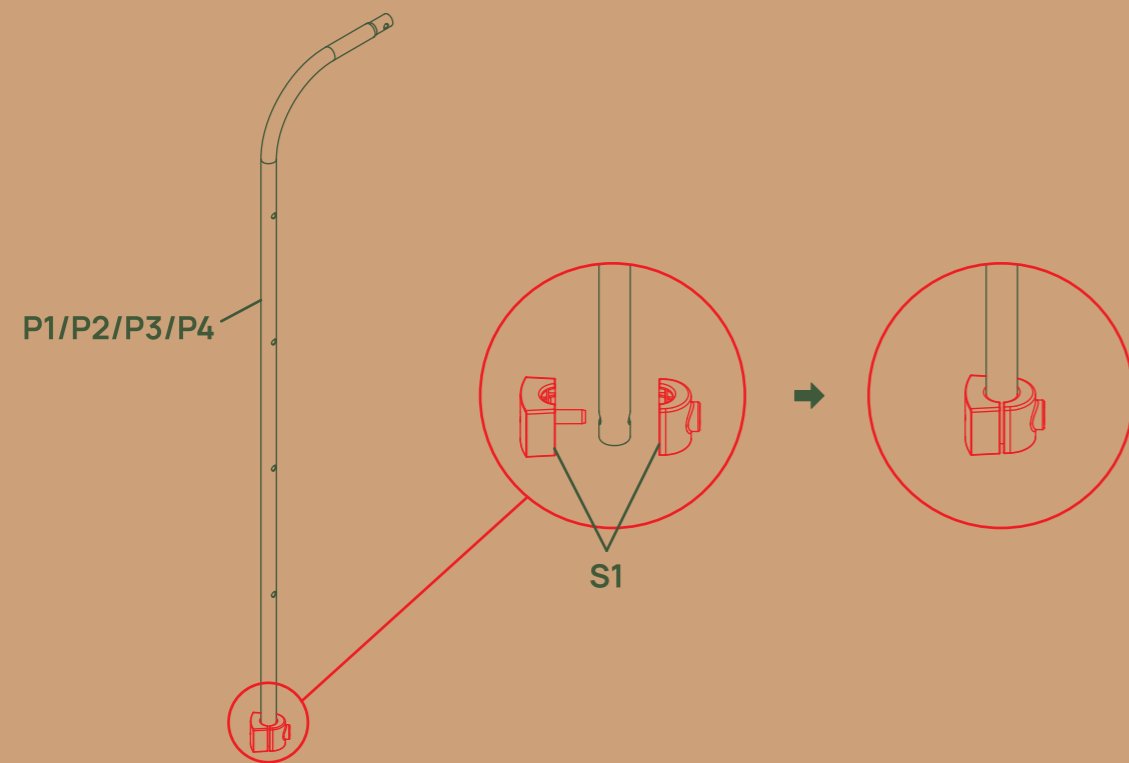
- Additional tools are required to complete the assembly, see below:



- 1** Remove the silicone plugs and plastic caps from the legs of the garden bed.



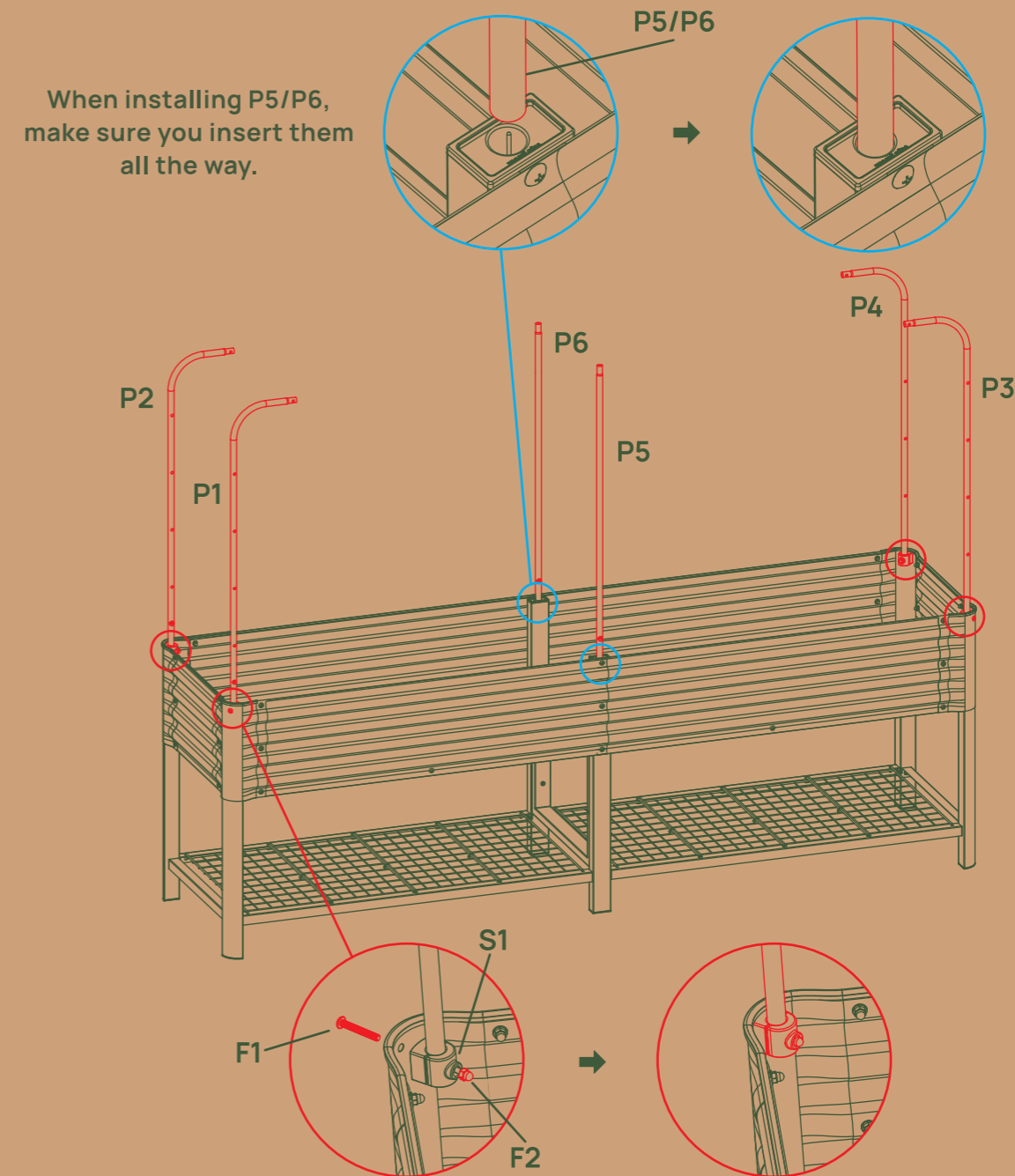
- 2** Attach S1 through the holes at the bottom of P1, P2, P3, and P4.



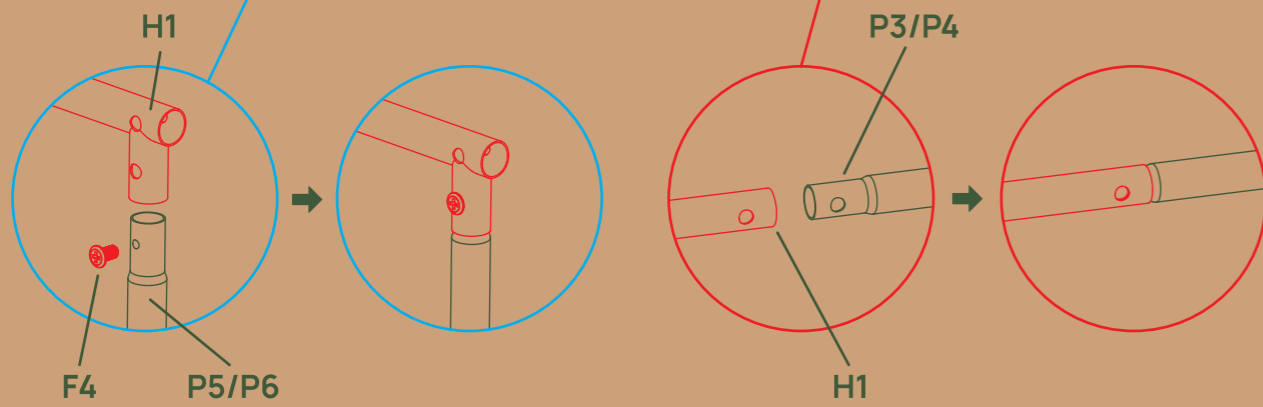
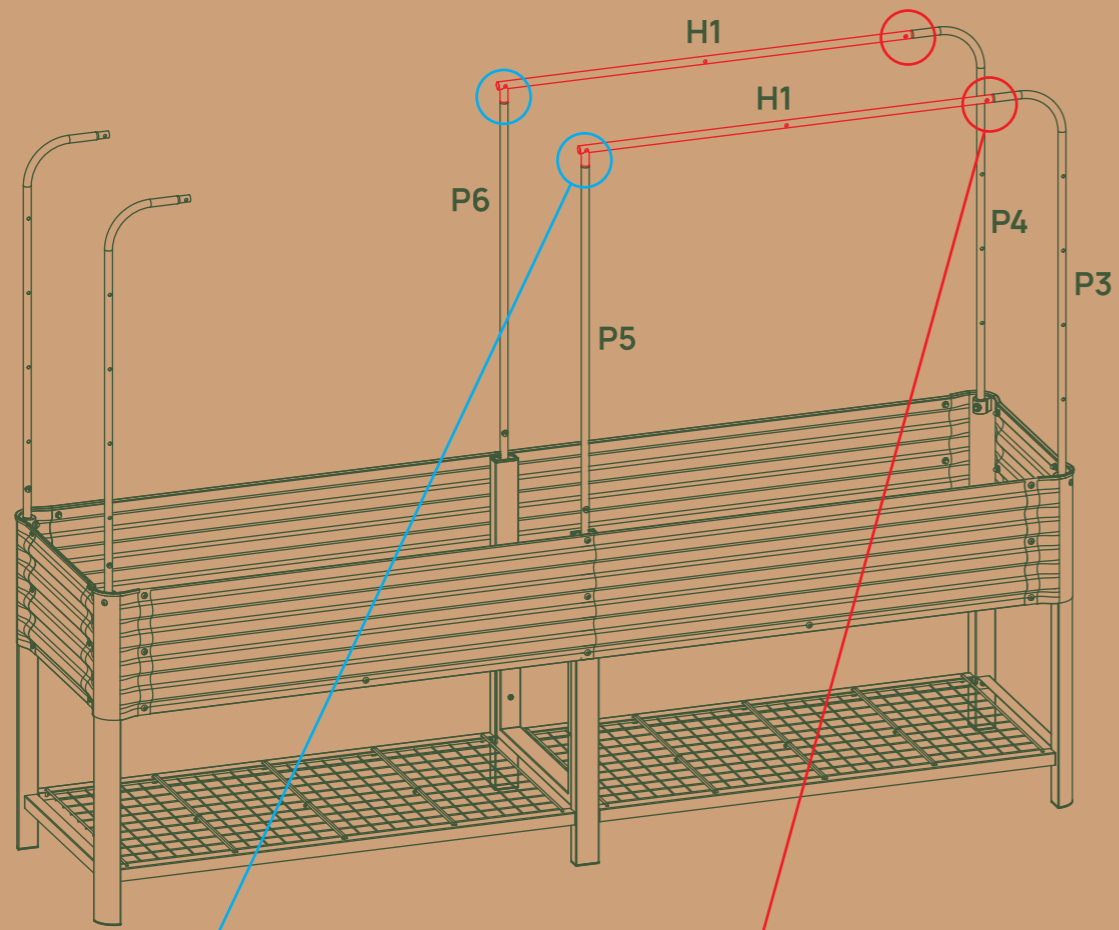
- 3** Use the F1 bolts and F2 cap nuts provided to attach P1, P2, P3, and P4 to the four corners of the Elevated Garden Bed. Next, insert P5 and P6 into the holes where the plastic caps were in Step 1.

Notes:

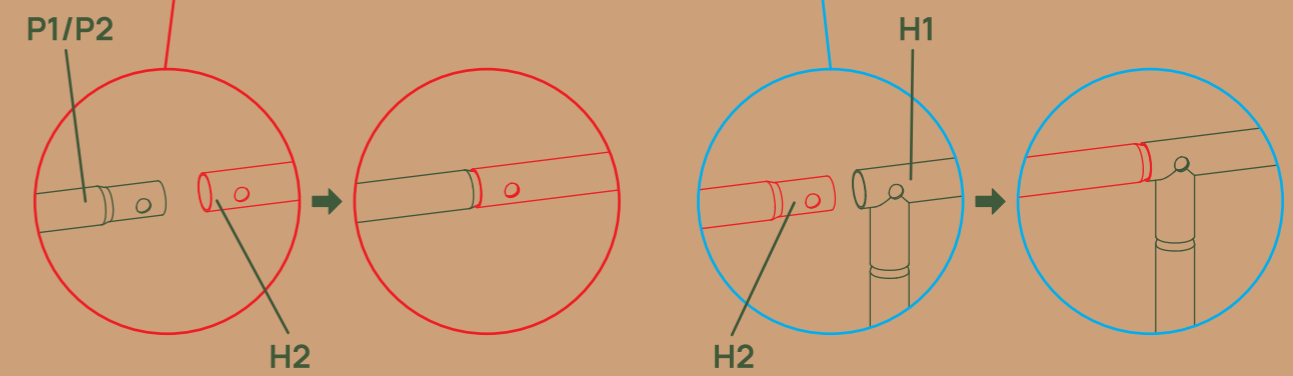
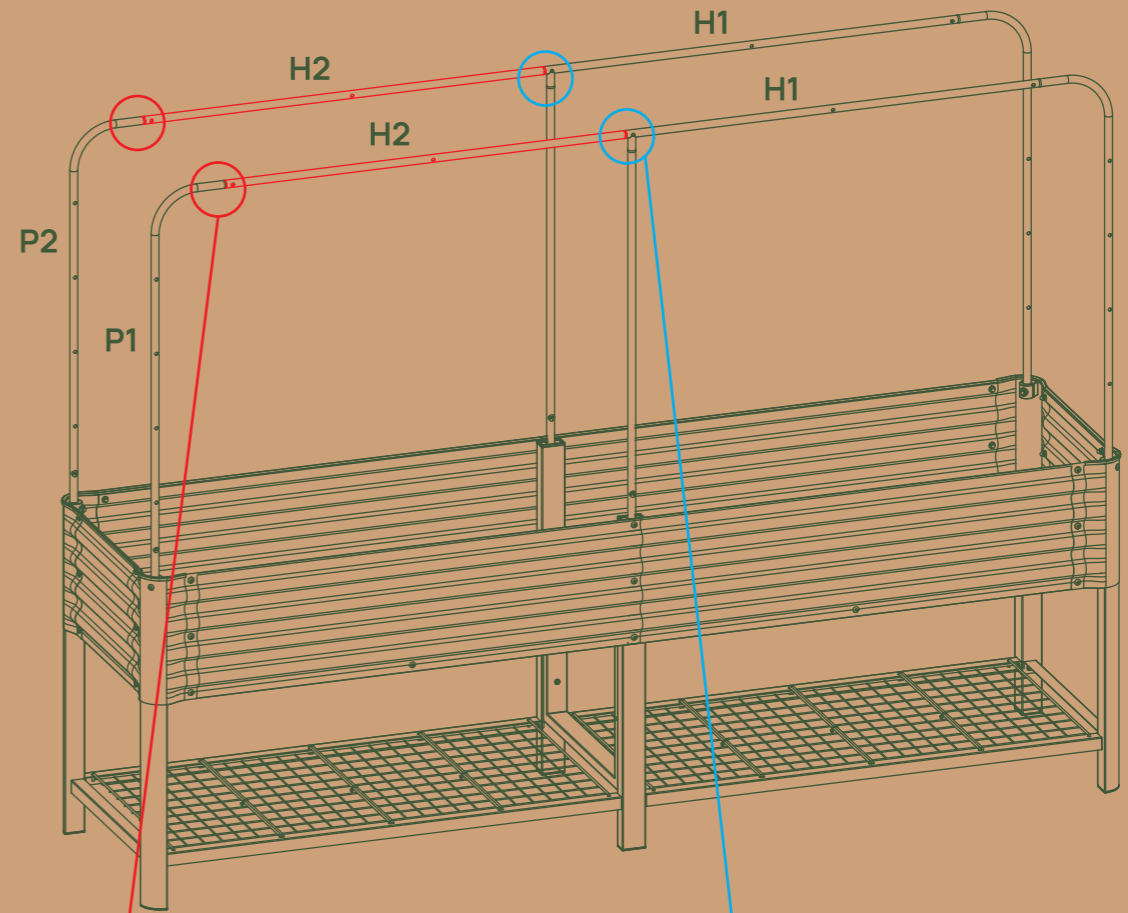
1. Make sure P1, P2, P3, and P4 are placed in the positions as shown in the diagram.
2. Ensure P5 is placed between P1 and P3, and P6 is between P2 and P4.
3. P1 and P3 should be installed on the front side of the garden bed, as this is where the cover system will open.



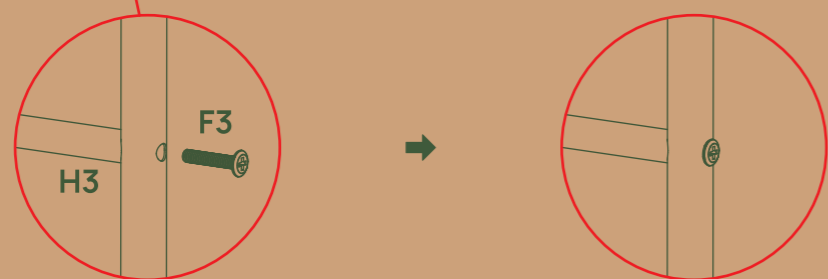
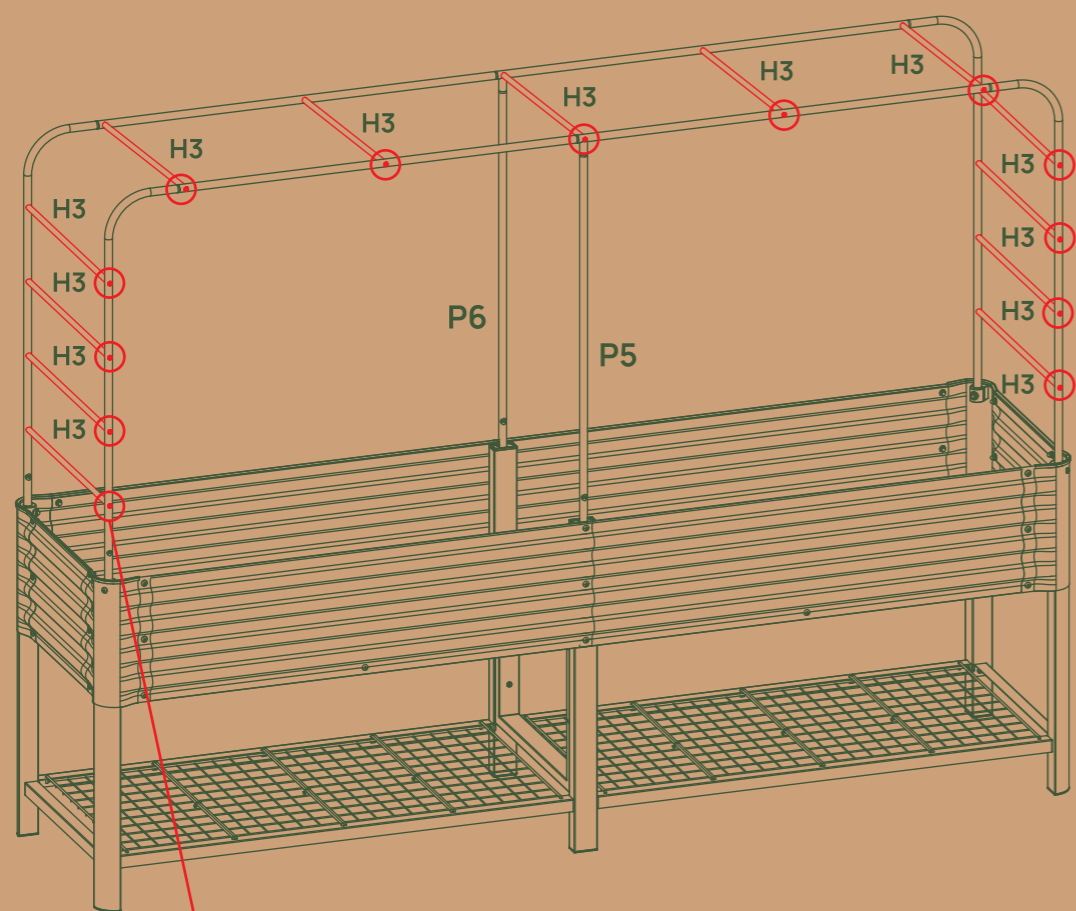
4 Connect H1 to P3, P4, P5, and P6. If the holes on H1 are not aligned with the holes on P5 and P6, gently rotate P5 and P6 to align them.



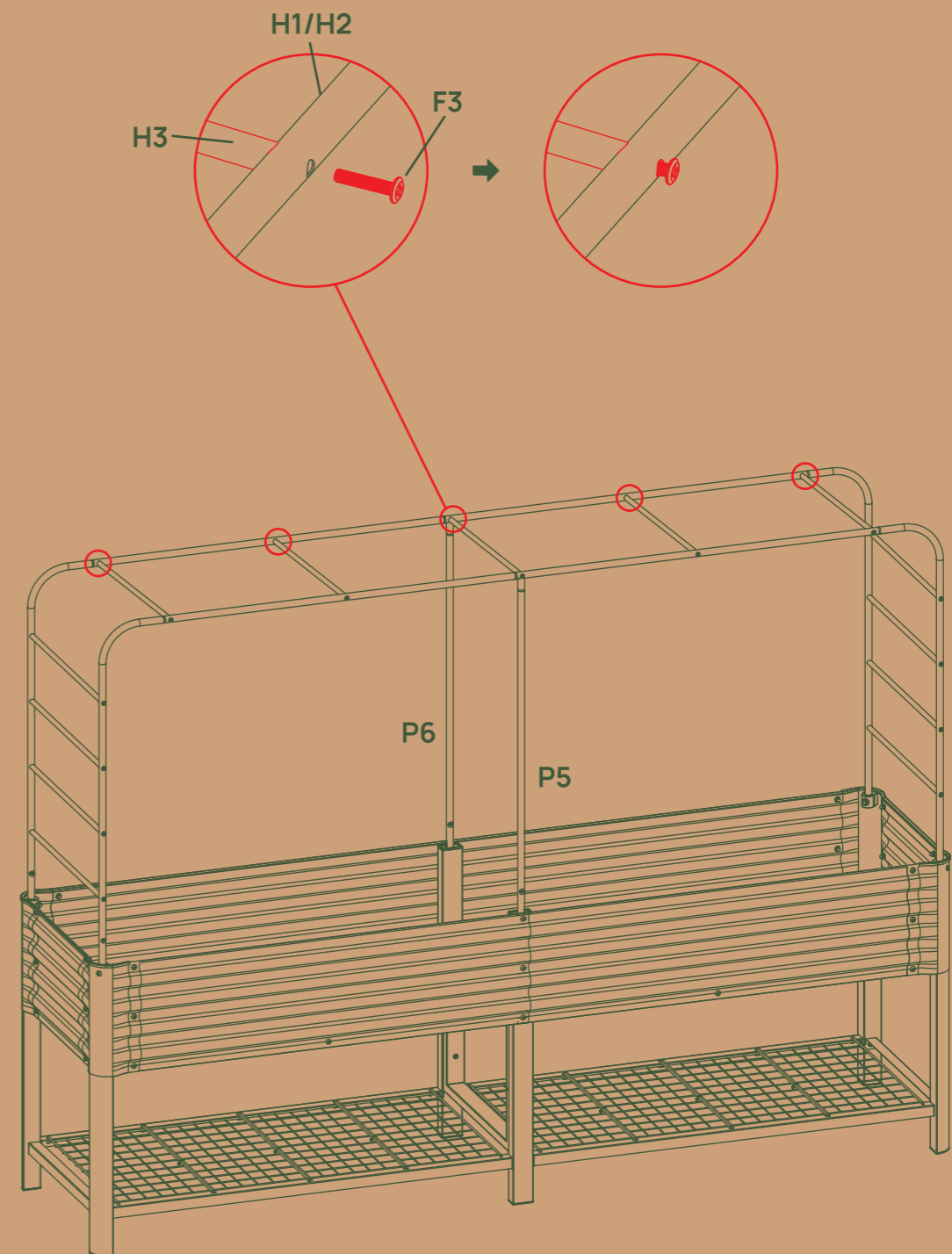
5 Connect H2 to P1, P2, and H1, ensuring the holes on H2 are aligned with those on P1, P2, and H1.



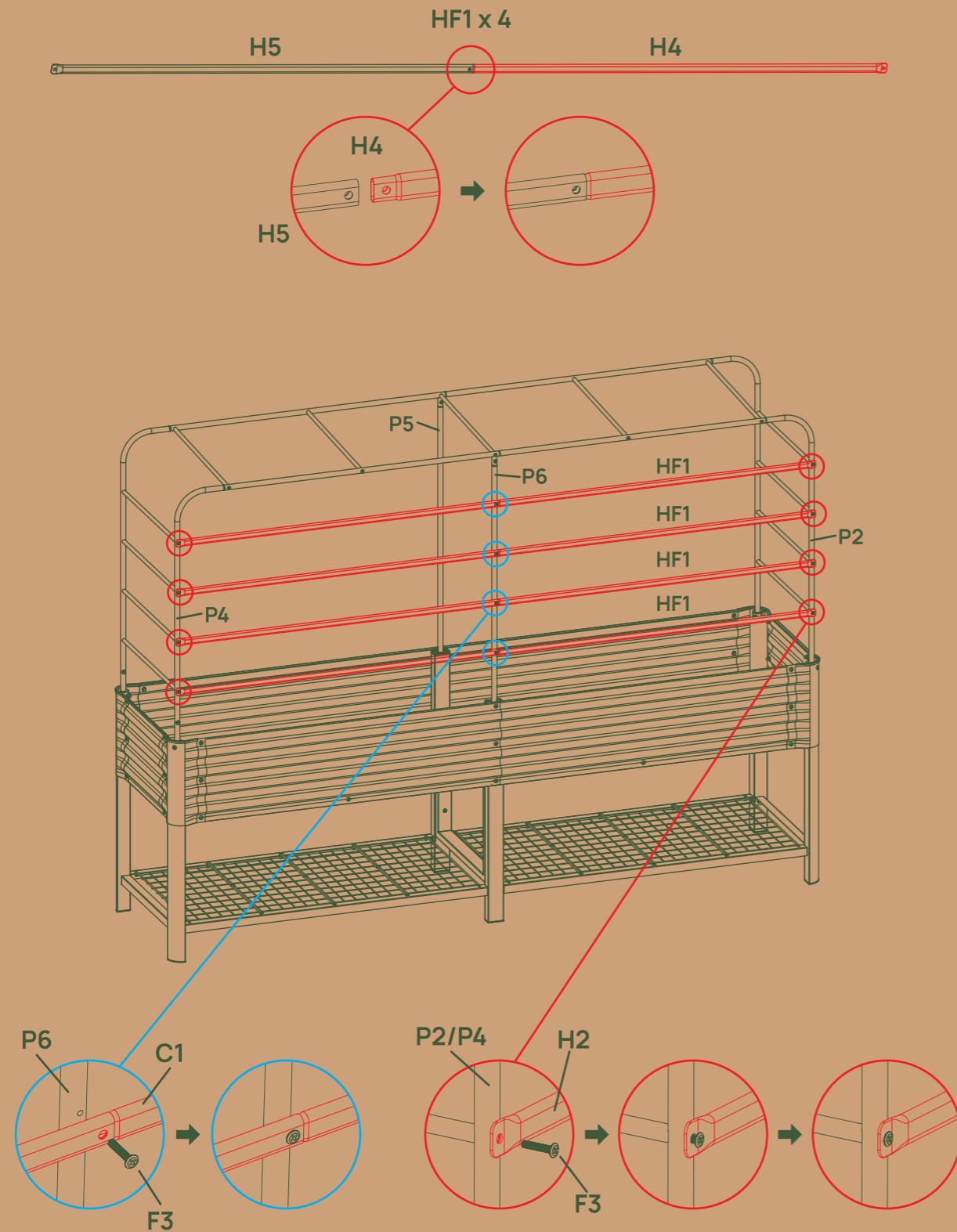
6 Use the F3 bolts to attach H3 to the frame assembled in Step 5, securing in place only the P5 side.



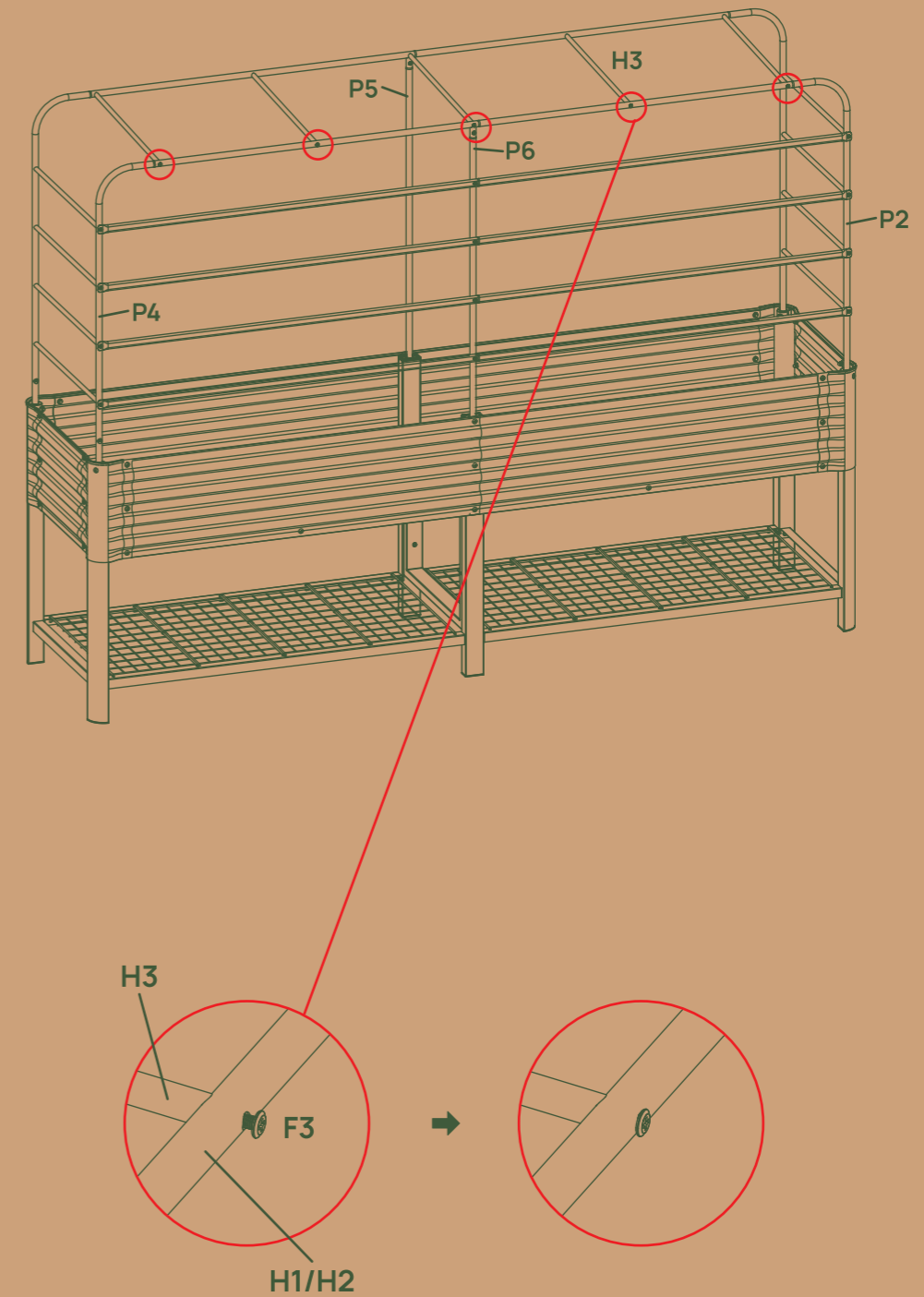
7 Use F3 bolts to secure the five H3 pieces at the top, but do not tighten the bolts fully to allow for easier final assembly.



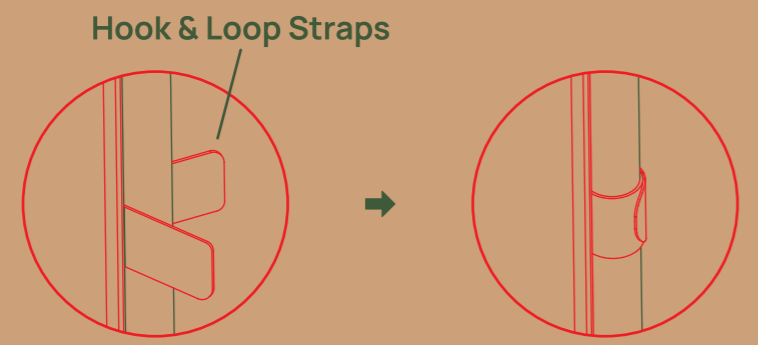
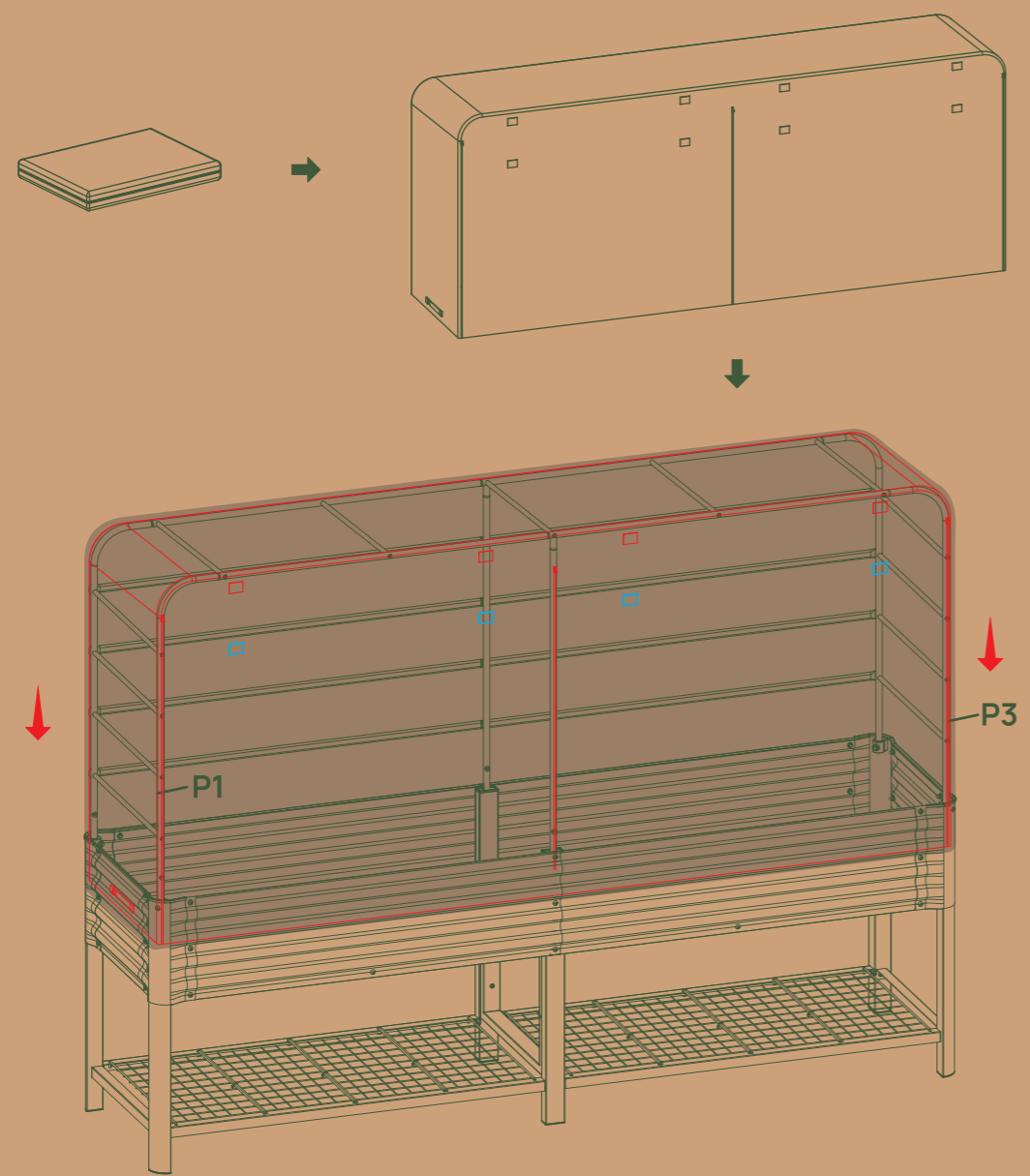
8 Connect H4 and H5 together to form HF1, and assemble a total of four HF1 pieces. Next, attach each HF1 piece to P2, P4, and P6. For each HF1, install it from top to bottom. Start by attaching HF1 to P6, then attaching it to P2 and P4.



9 Tighten the H3 bolts on top to complete the installation of the trellis.



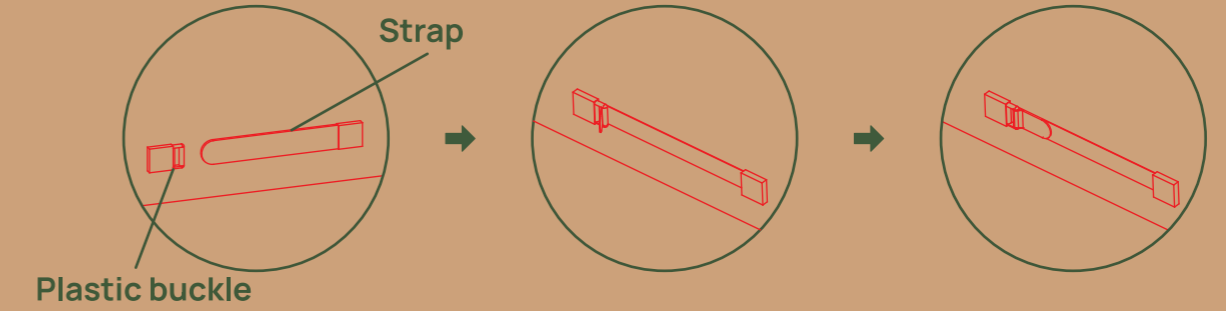
10 Unfold and unzip the mesh cover. Now, fit it over the frame assembled in Step 9. Make sure the zipper opening is positioned on the side of P1 and P3, and attach all the straps onto the frame.



How to Use

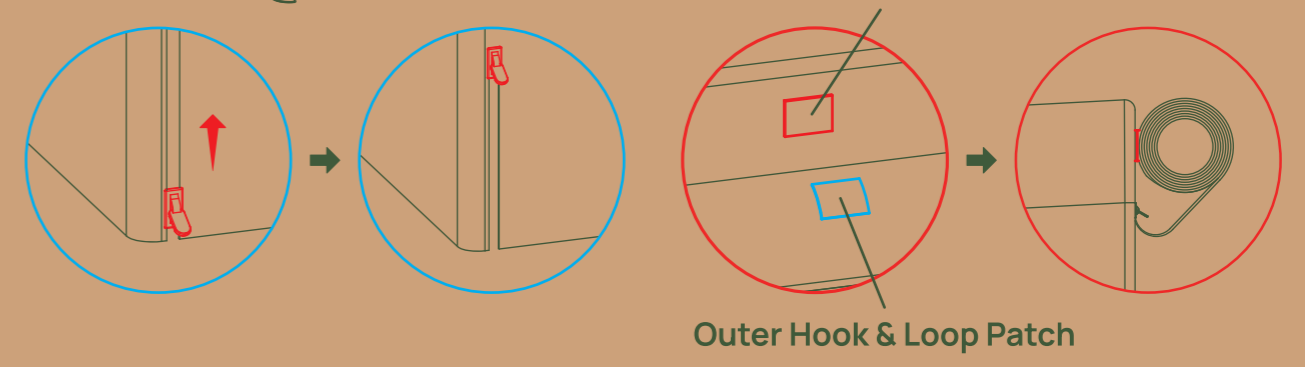
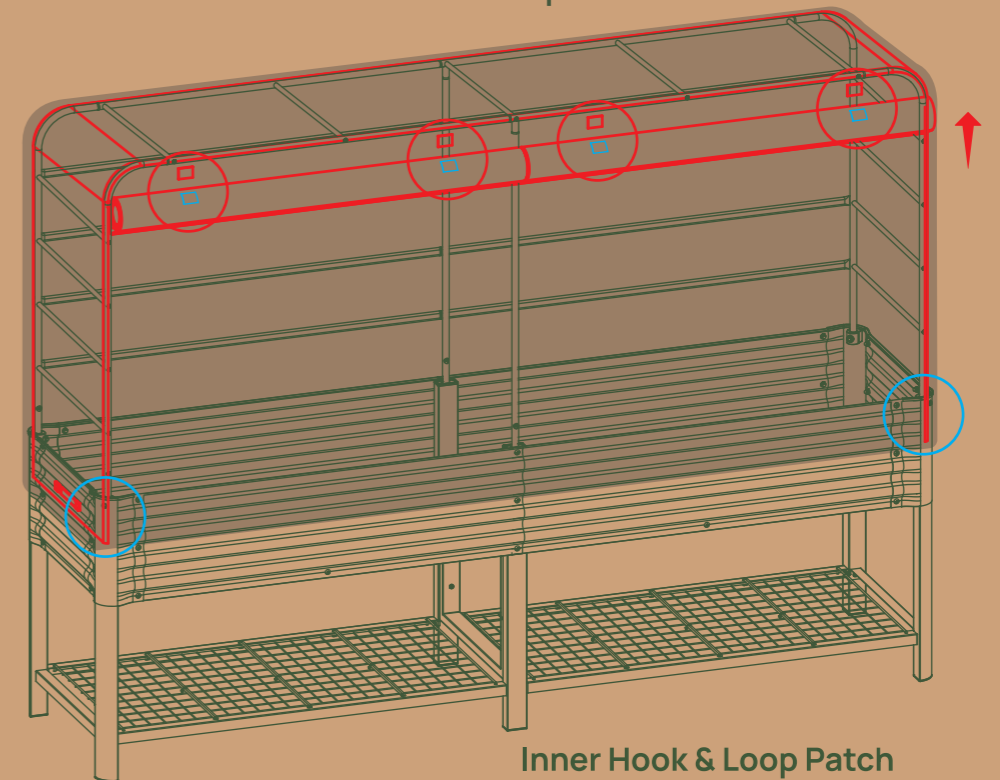
Adjusting The Tightness At The Bottom

Use the straps to adjust the tightness of your cover system at the bottom for better projection. Slide the strap through the buckle, and adhere it back to itself at the desired tightness.



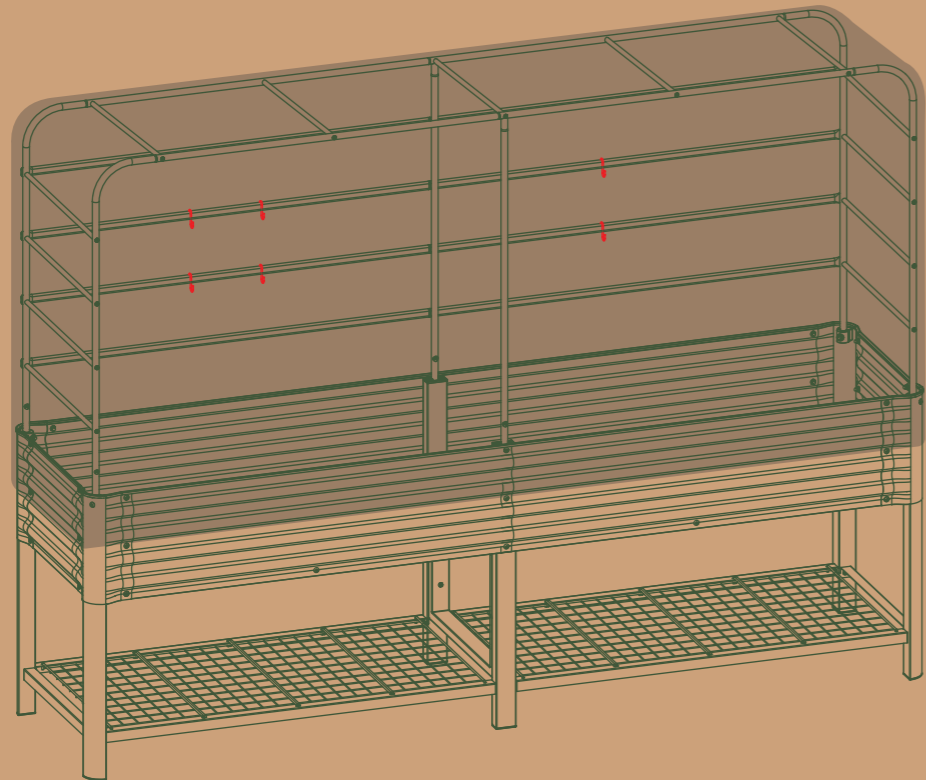
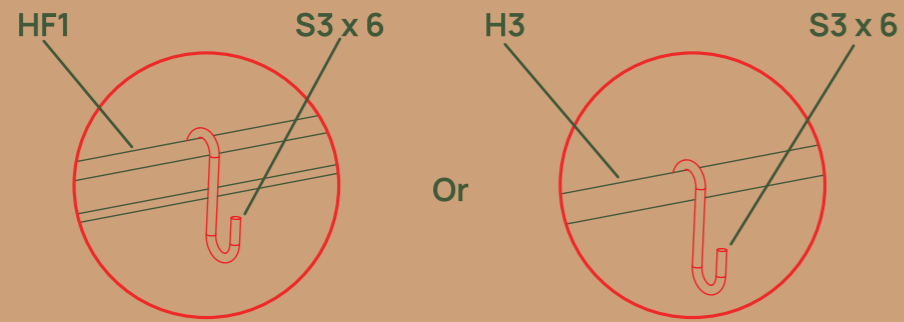
Securing The Zipper Door Open

Roll up the zippered opening, and attach the hook and loop patches to hold the rolled fabric in place.



Flexible Storage

Use the stainless steel hooks provided to hang your gardening tools, gloves, watering cans, and other frequently used items for easy access.



**Gardening
Made Easier.
Anytime,
Anywhere.**
