



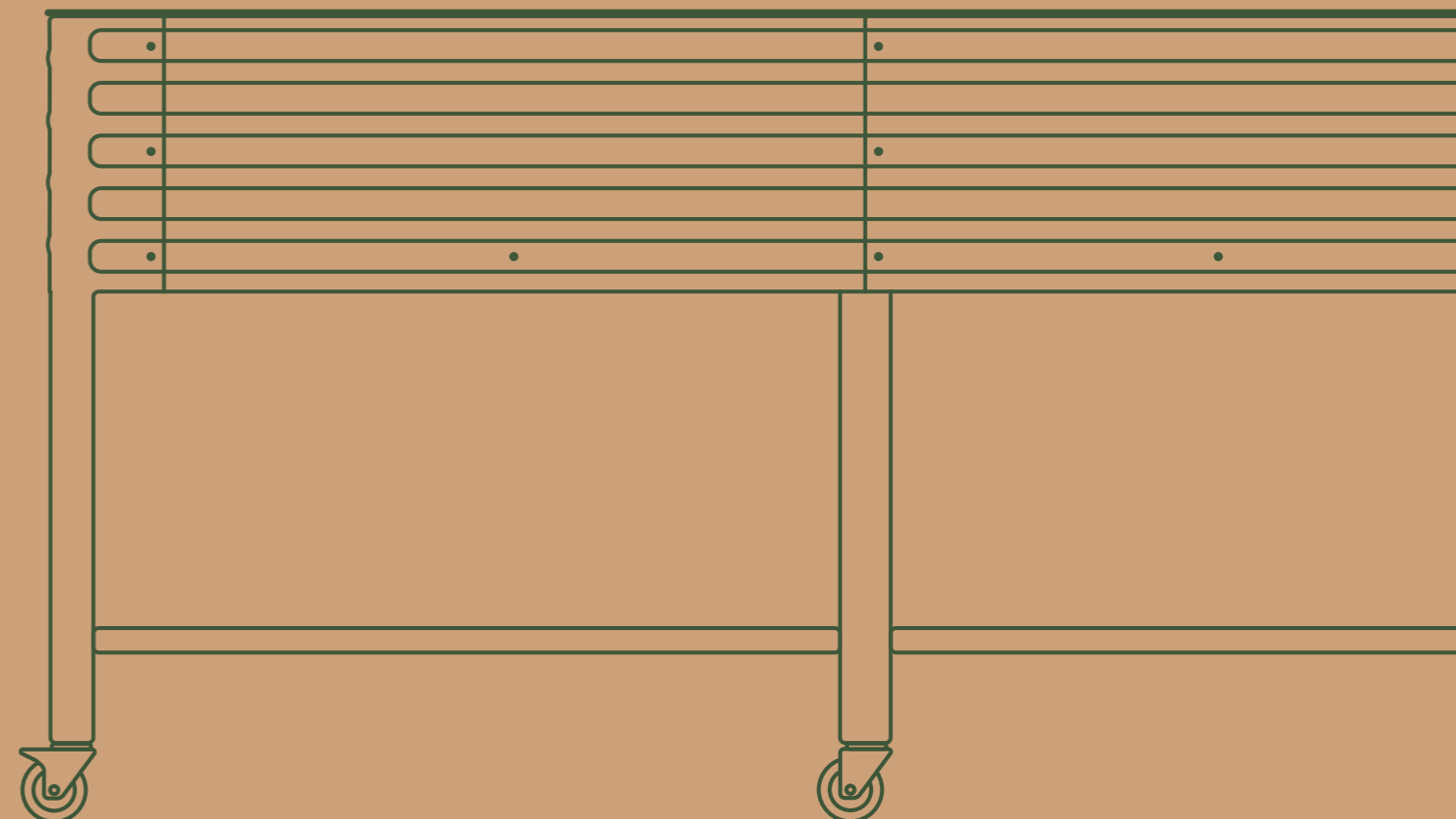
# General Manual for Elevated Garden Bed 2ft x 6ft

Gardening Made Easier. Anytime, Anywhere.


Copyright © 2025 Vego



**Gardening  
Made Easier.  
Anytime,  
Anywhere.**



## Contact Us

 +1 (866) 597-1888

 Vego Garden Academy

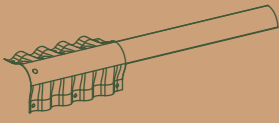
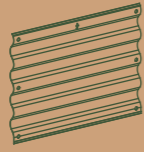
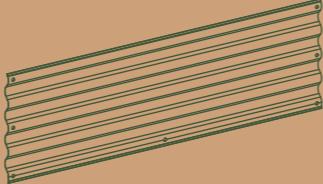

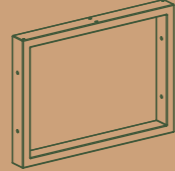
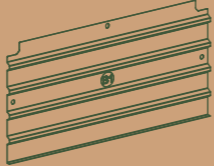
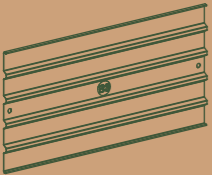
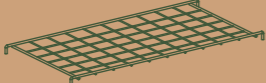


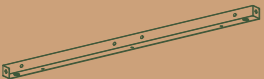



 hello@vegogarden.com

 vegogarden.com

 vego\_garden

 Houston, TX

# Parts List

 <b>P1</b> Qty: 4	 <b>P2</b> Qty: 2	 <b>P7</b> Qty: 4	
 <b>P4</b> Qty: 2	 <b>P5</b> Qty: 1	 <b>B1</b> Qty: 4	
 <b>B3</b> Qty: 2	 <b>B4</b> Qty: 6	 <b>H2</b> Qty: 2	 <b>H3</b> Qty: 2
 <b>H5</b> Qty: 4	 <b>H6</b> Qty: 4	 <b>F1</b> M6x10 Qty: 34	 <b>F2</b> M6 Qty: 16

 <b>F3</b> M6x8 Qty: 16	 <b>F4</b> M6x16 Qty: 24	 <b>F5</b> M6 Qty: 12	 <b>F6</b> M6x35 Qty: 4
 <b>Z1</b> Qty: 8	 <b>T1</b> Qty: 1	 <b>T2</b> Qty: 1	 <b>SE</b> Qty: 1

## Safety Precautions

This product may contain sharp metal corners and edges. To prevent injury:

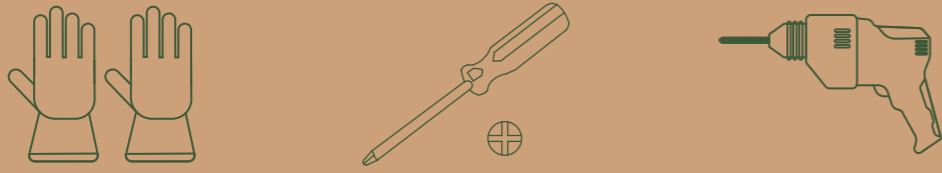
- Handle with care at all times
- Wear gloves, closed-toe shoes & long pants when handling
- Work on a stable, clean surface away from children and pets
- Follow all instructions carefully and use tools only as directed

If you are unsure about any step, pause and seek assistance.



## Assemble Tips

- Additional tools are needed to complete this assembly, see below:



- We recommend two people work together to complete the assembly.
- During assembly, we recommend placing the unpacked box flat on the ground to serve as a protective mat.

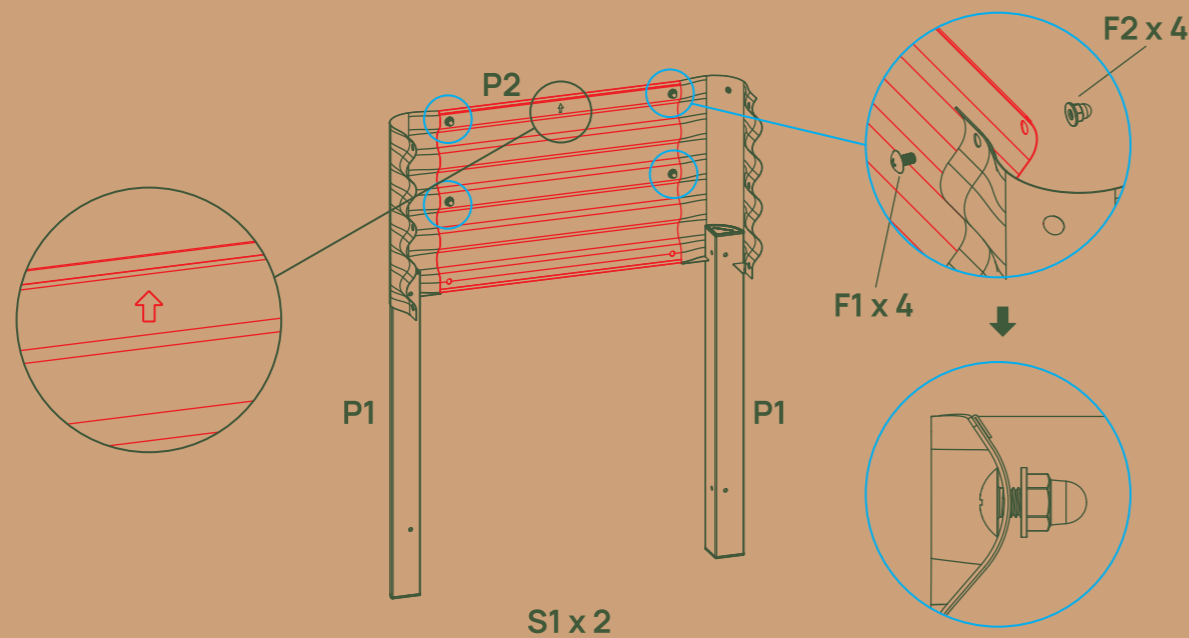
## Assembly Guide

[www.vegogarden.com/assembly](http://www.vegogarden.com/assembly)

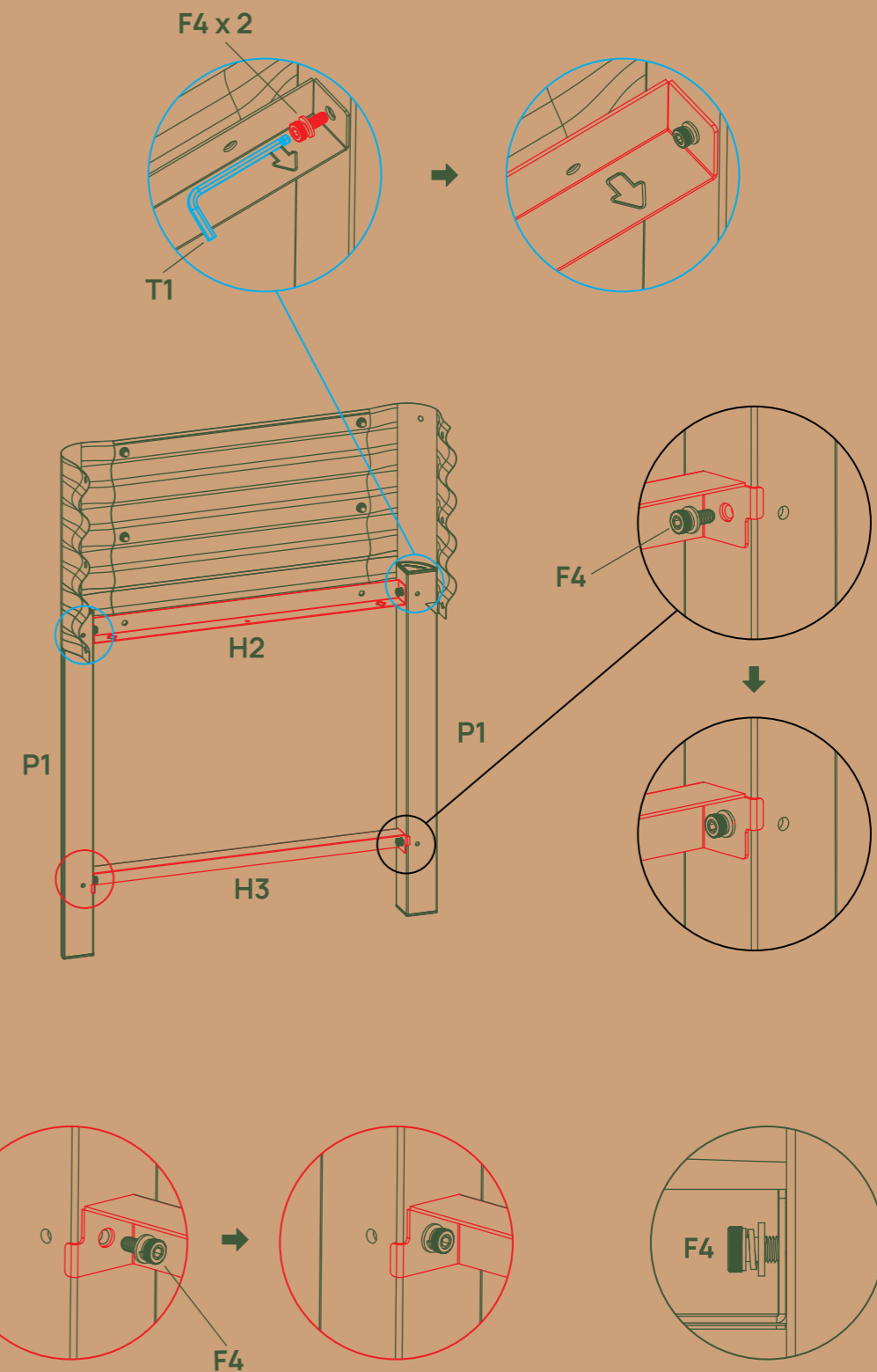
- Assemble S1 with the F1 bolts and F2 cap nuts, using them to attach the P1 metal leg and P2 corrugated panel. Install the top two rows only. Two S1 pieces are required.

### Notes:

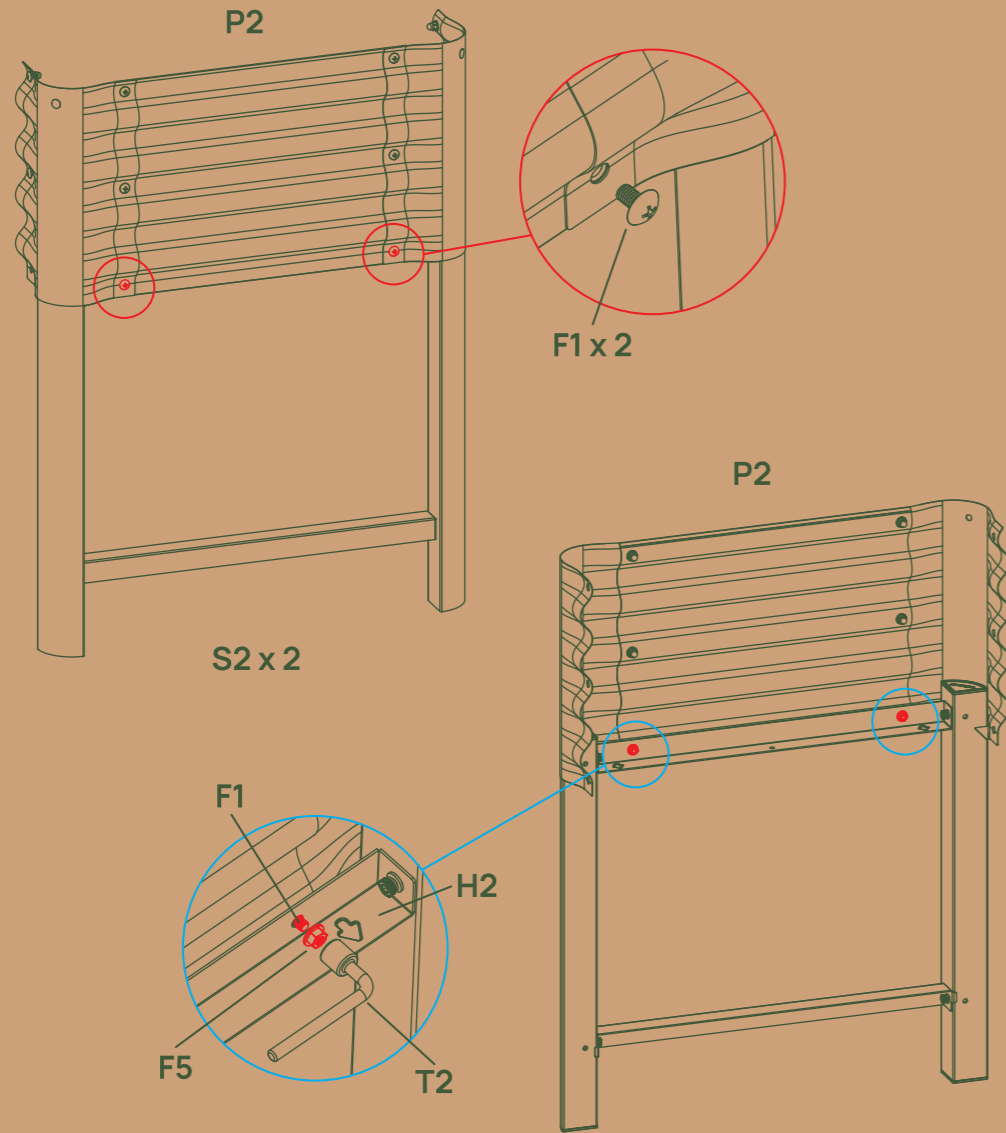
- Make sure the the P2 corrugated panel is installed on the interior side, with the "UP" label positioned inside the panel and facing upward.
- Do not tighten the bolts fully to allow for easier final assembly.



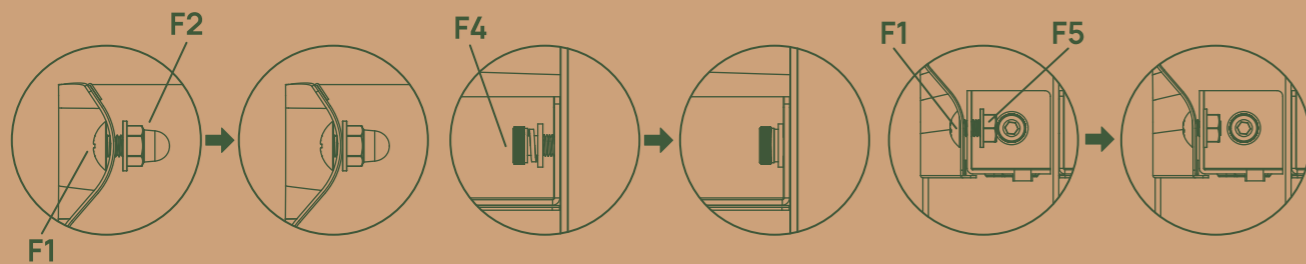
- Use the T1 wrench and F4 bolts to attach H2 and H3 to the side of S1's metal legs (P1).



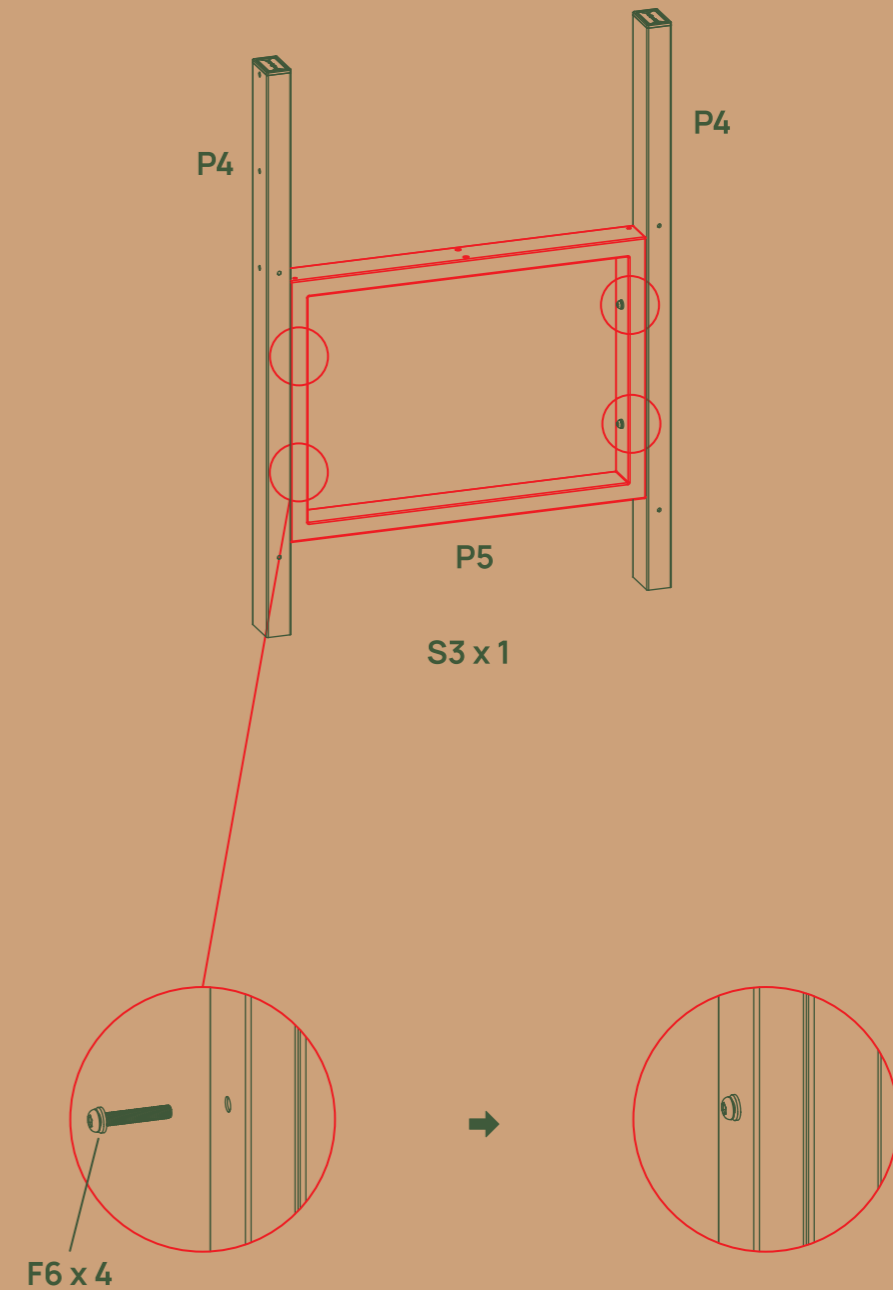
- 3** Use the T2 wrench along with F1 bolts and F5 nuts to securely connect P1, P2, and H2, forming one S2 unit. Two S2 pieces are required.  
**Note:** If the holes do not align, slightly loosen the top two rows of bolts and cap nuts, and gently adjust P1, P2, and H2 to align the holes.



After completing this step, tighten all the bolts and nuts on S2.



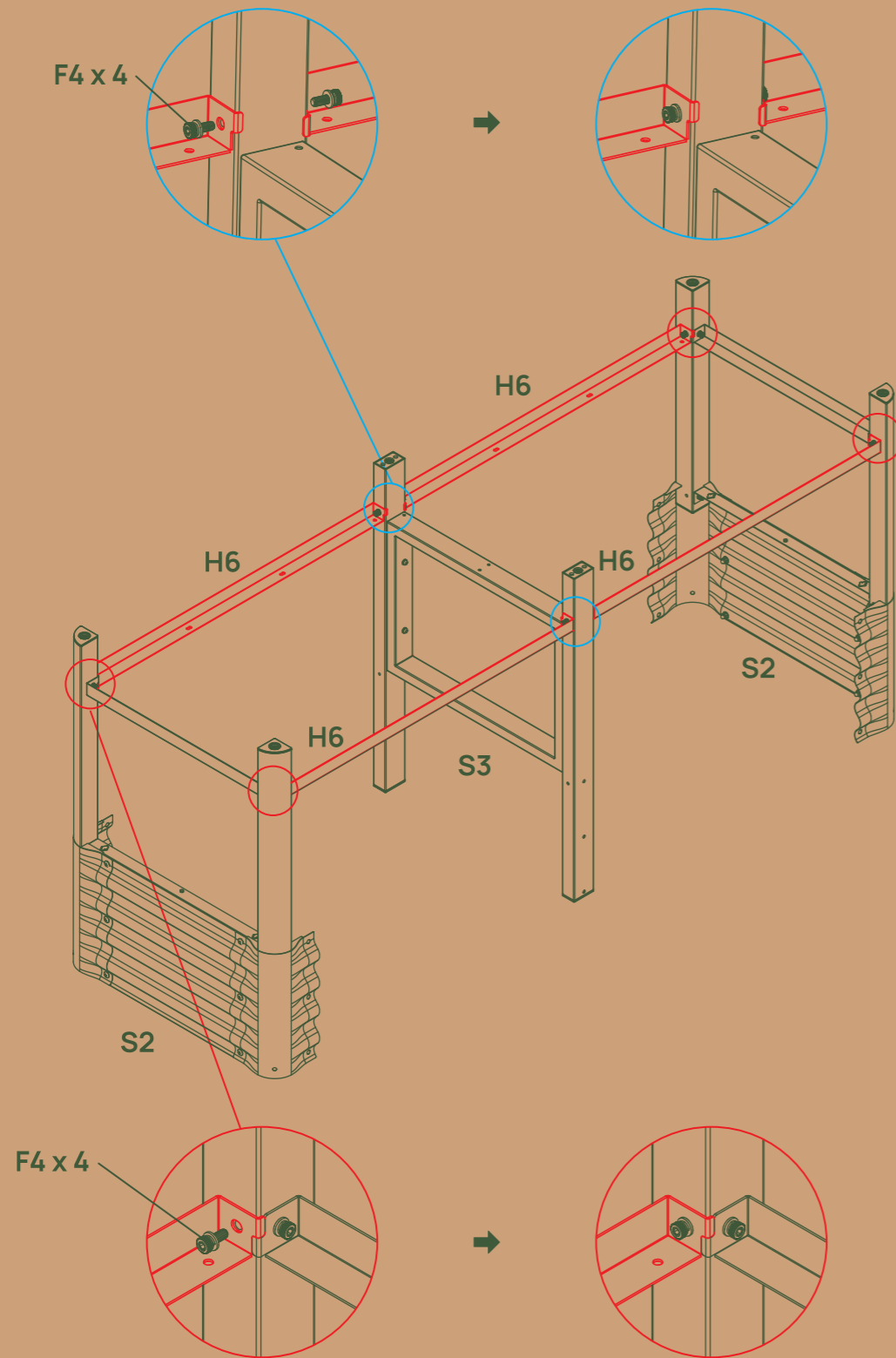
- 4** Use F6 bolts to attach the square frame to the two P4 pieces, assembling them into S3.  
**Note:**  
 Fully tighten the F6 bolts.



**5** Use F4 bolts to connect and secure H6, S2 and S3 in place.

**Notes:**

1. Make sure the side of H6 with holes faces the top of the bed.
2. Fully tighten the F4 bolts.

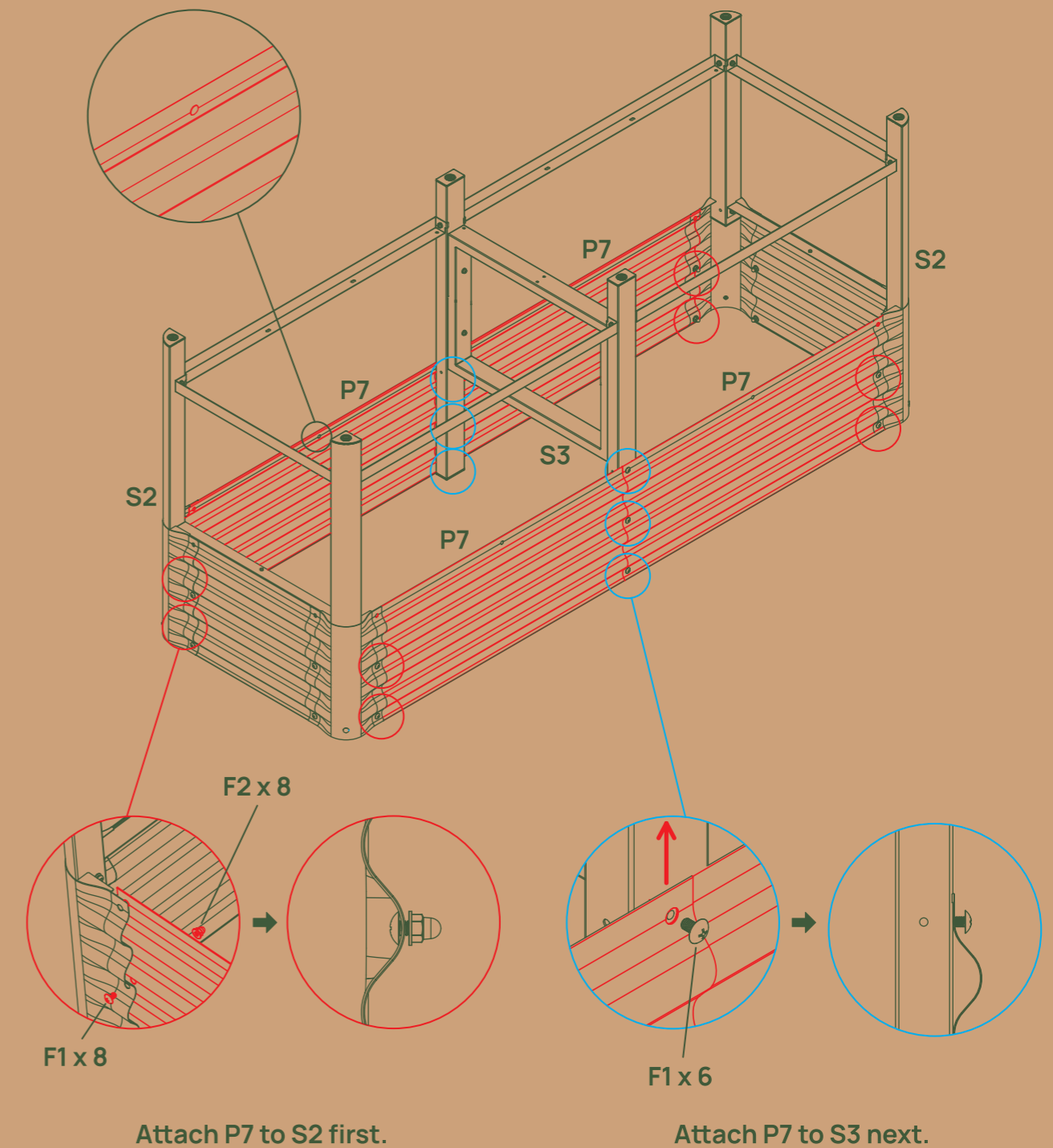


**6** Use F1 bolts and F2 cap nuts to attach the P7 corrugated panels between S2 and S3.

- For P7 and S2, only use the two holes closest to the top edge. For the P7 and S3 assembly, slightly lift S3 to align the holes, then assemble all three holes from top to bottom.

**Notes:**

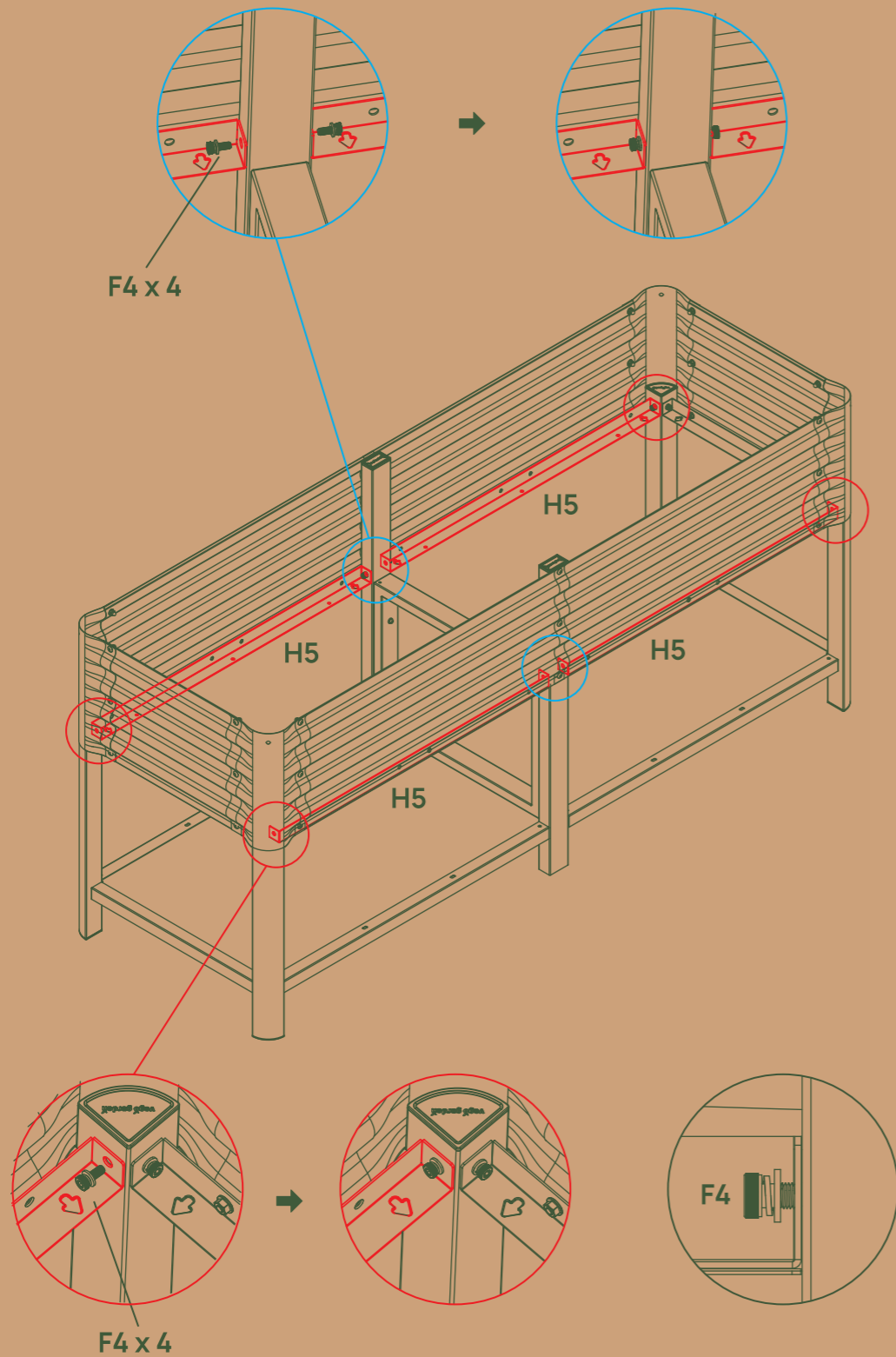
1. Do not tighten the bolts fully to allow for easier final assembly.
2. Make sure the side of the P7 corrugated panel with holes is oriented towards the top of the bed.



**7** Use the T1 wrench and F4 bolts to attach the four H5 pieces to the sides of the metal legs. Do not tighten the bolts fully to allow for easier final assembly.

**Note:**

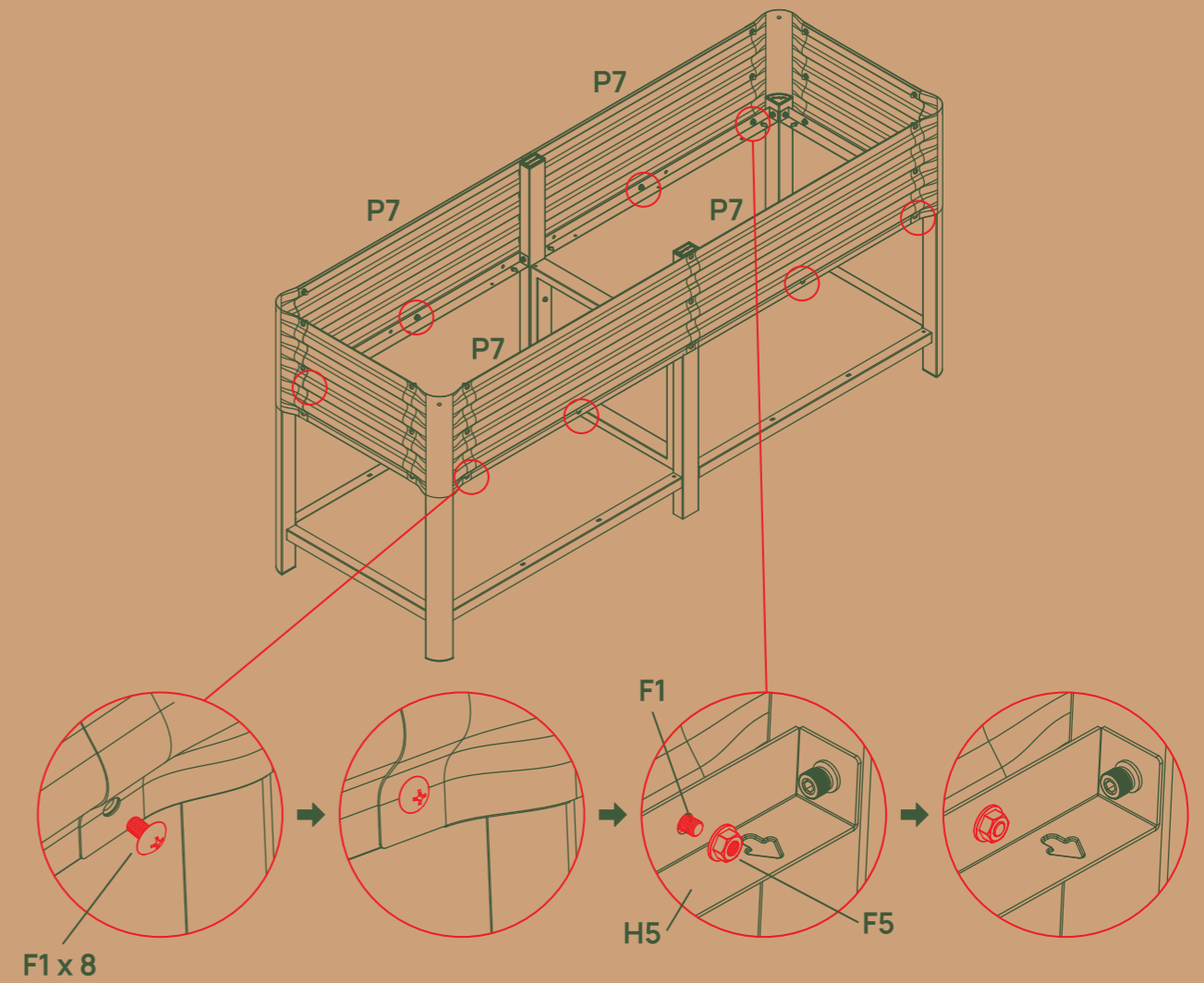
Make sure the arrows on both ends of H5 point toward the inside of the garden bed.



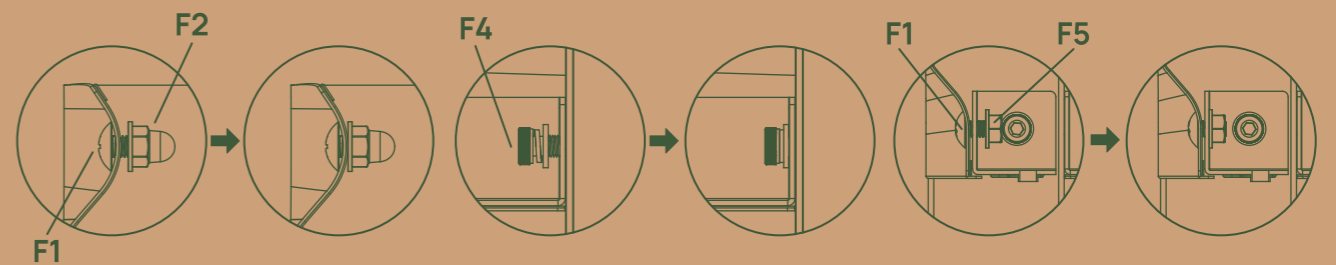
**8** Use F1 bolts and F5 nuts to secure the bottom row of holes on the corrugated panel. First, hand-tighten all F1 bolts and F5 nuts by 2 to 3 turns, then fully tighten them using the T2 wrench.

**Note:**

If the holes of the P7 corrugated panel and H5 do not align easily during installation, slightly loosen the bolts on P7 and H5, then gently move P7 and H5 to align the holes.



After completing this step, securely tighten all the bolts and nuts.

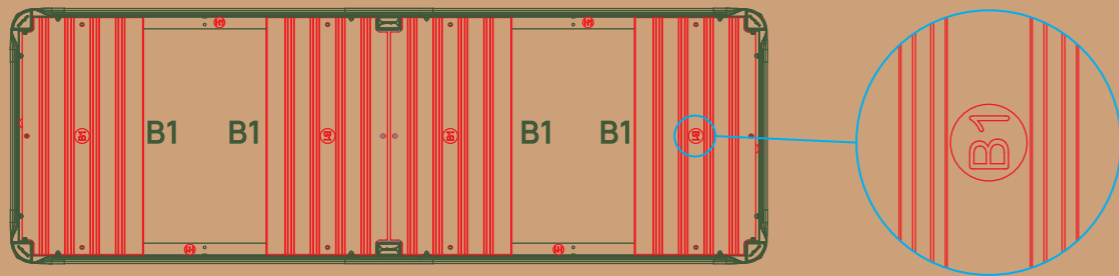


## 9 Install the bottom boards into the Elevated Garden Bed.

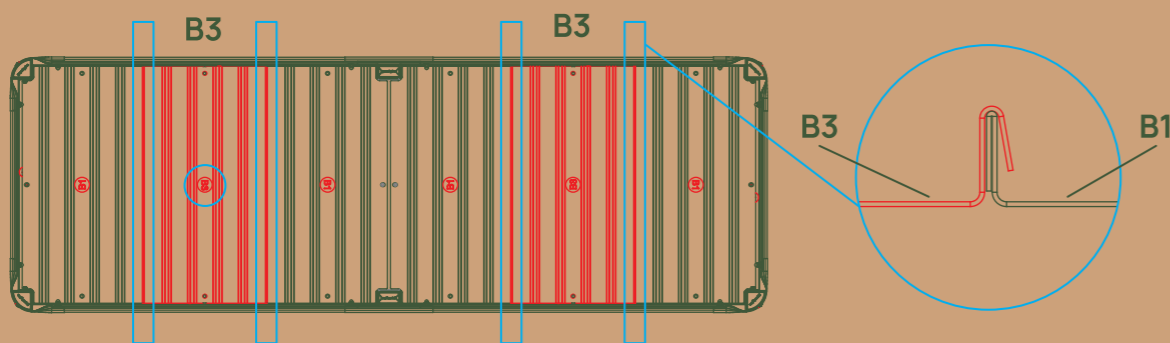
### Note:

To make installation easier, first thread all F3 bolts 2 to 3 turns, then fully tighten them one by one.

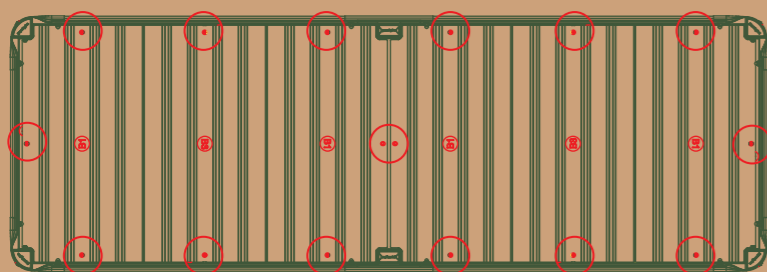
Insert the B1 bottom boards, ensuring the labels face upwards.



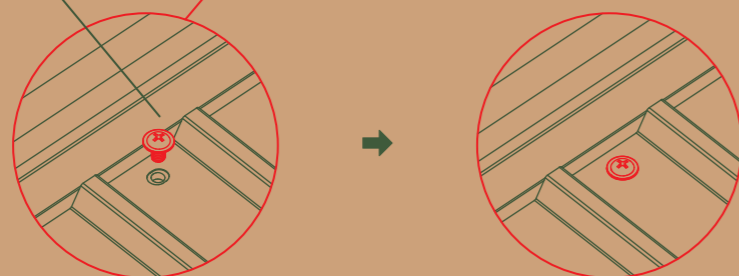
Insert the B3 bottom boards, ensuring the label faces upwards.



Use the phillips screwdriver and F3 bolts to secure the bottom boards in place.



F3 x 16

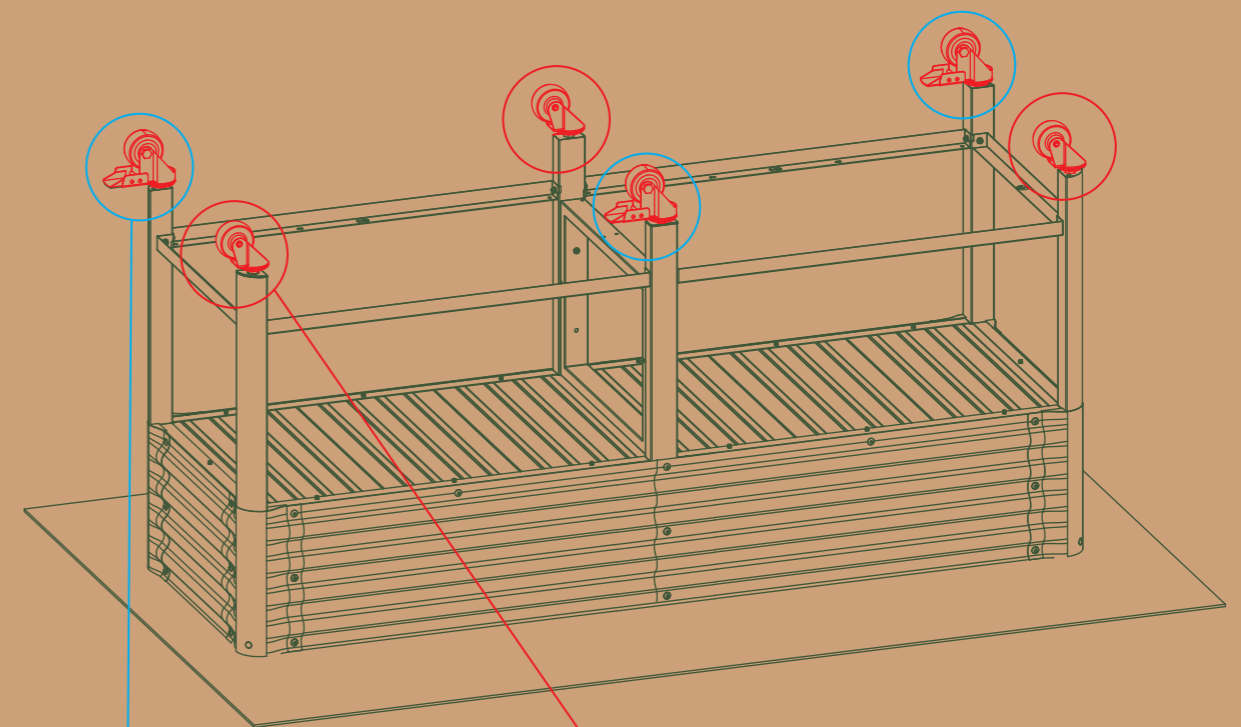


## Attach The Casters to the Elevated Garden Bed

First turn the Elevated Garden Bed upside down, on a piece of cardboard or protective surface. Next, hand-tighten the caster's bolt into the hole at the bottom of the metal legs until it can no longer turn.

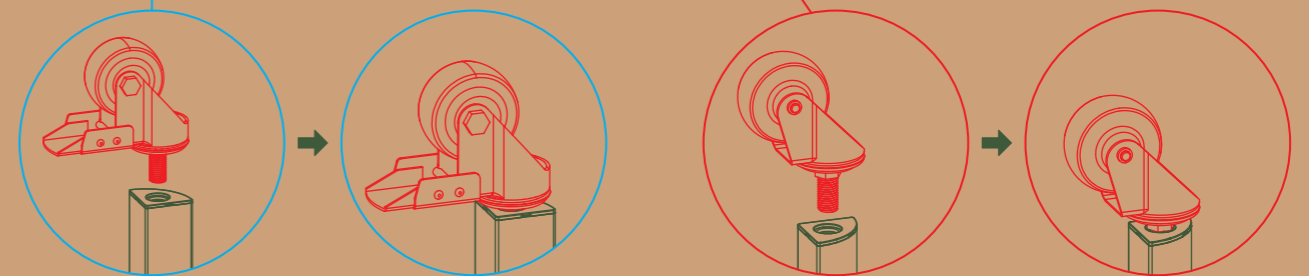
### Note:

Make sure the locking casters and non-locking casters are placed on opposite legs in each row, as shown.



Locking Casters

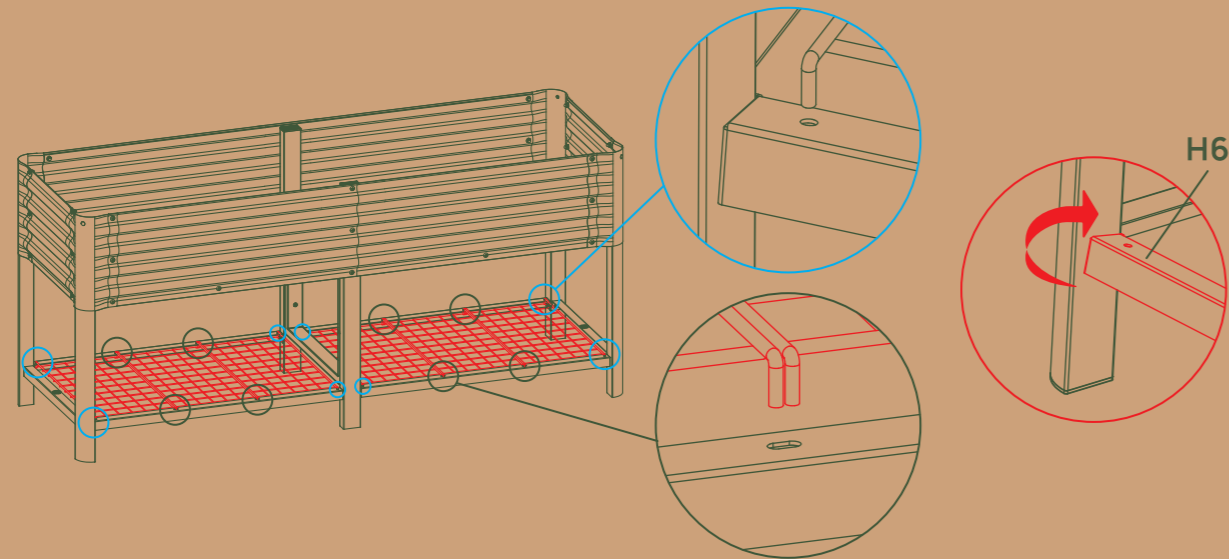
Non-Locking Casters



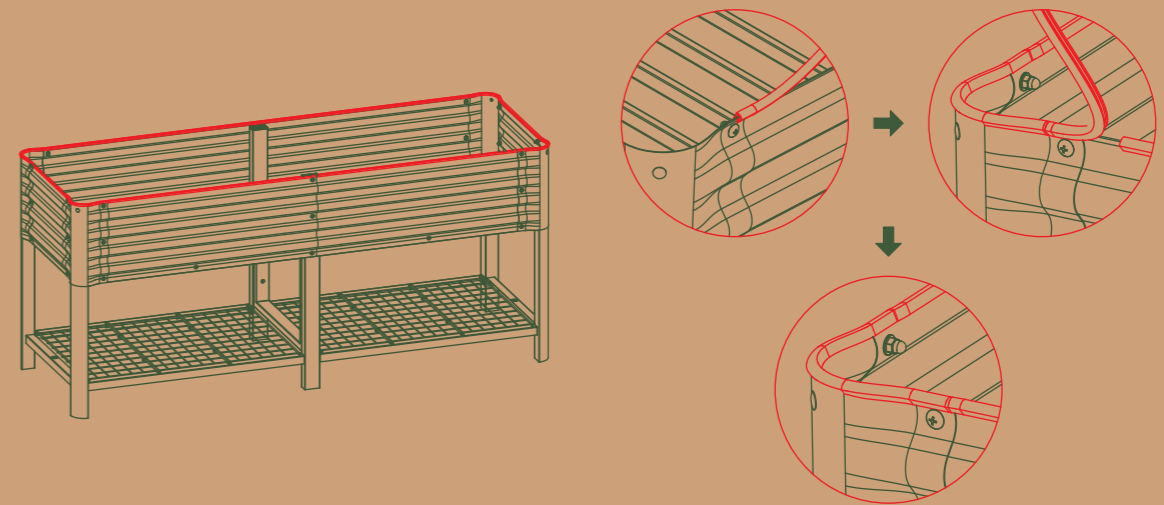
**10** Insert the metal rack into the holes on H6.

**Note:**

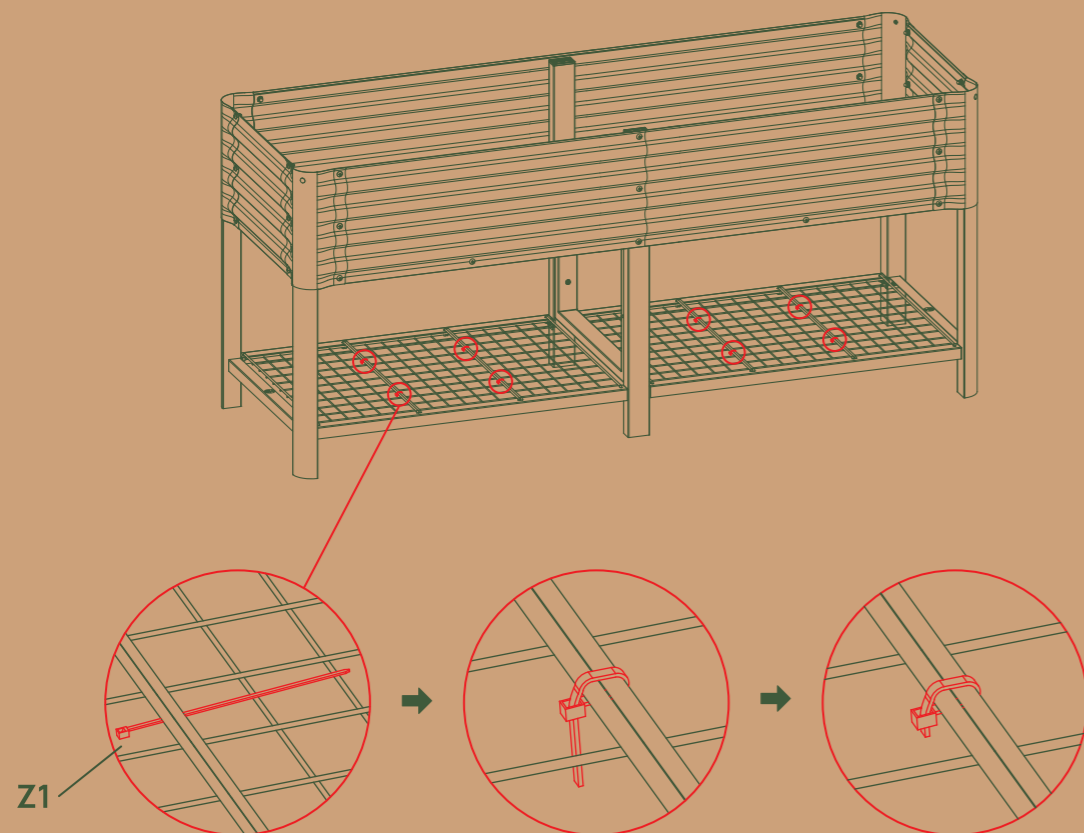
If the holes are misaligned when inserting the metal rack, gently rotate part H6 and try reinserting the rack.



**12** Press the safety edging along the top edge of the bed to secure. Your Elevated Garden Bed is now assembled. Happy gardening!



**11** Use the Z1 zip ties to secure the rack pieces to each other as shown.



## Important Notice For Using the Casters

For optimal use, safety, and to prolong the lifespan of the casters please adhere to the follow guidelines:

- Always engage the casters' brakes when the garden bed is stationary to prevent unintended movement.
- Avoid depressions or grooves deeper than 0.4 inches, as they may cause the casters to become unstable.
- Remove any small stones, debris, or obstacles that could hinder movement or damage the casters over time.
- Use only on the suitable surfaces listed below.

### ● Suitable Surfaces

- Flat, stable surfaces
- Concrete
- Wooden & composite decks
- Paved tiles

### ● Unsuitable Surfaces

- Sloped or inclined surfaces
- Soft surfaces such as grass, soil, or sand
- Uneven gravel or rocky areas